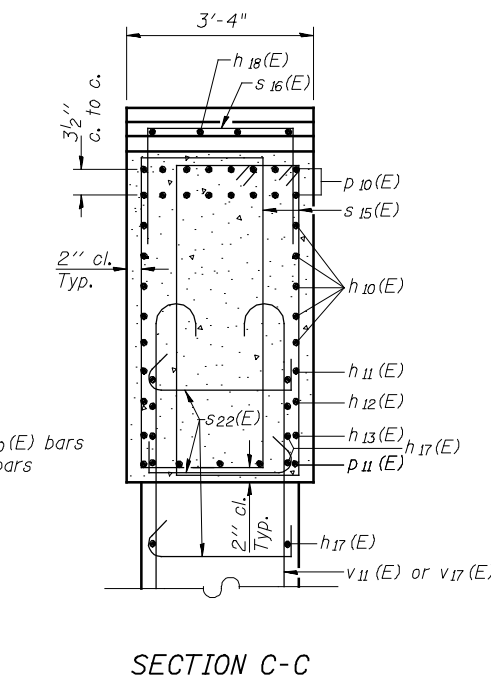
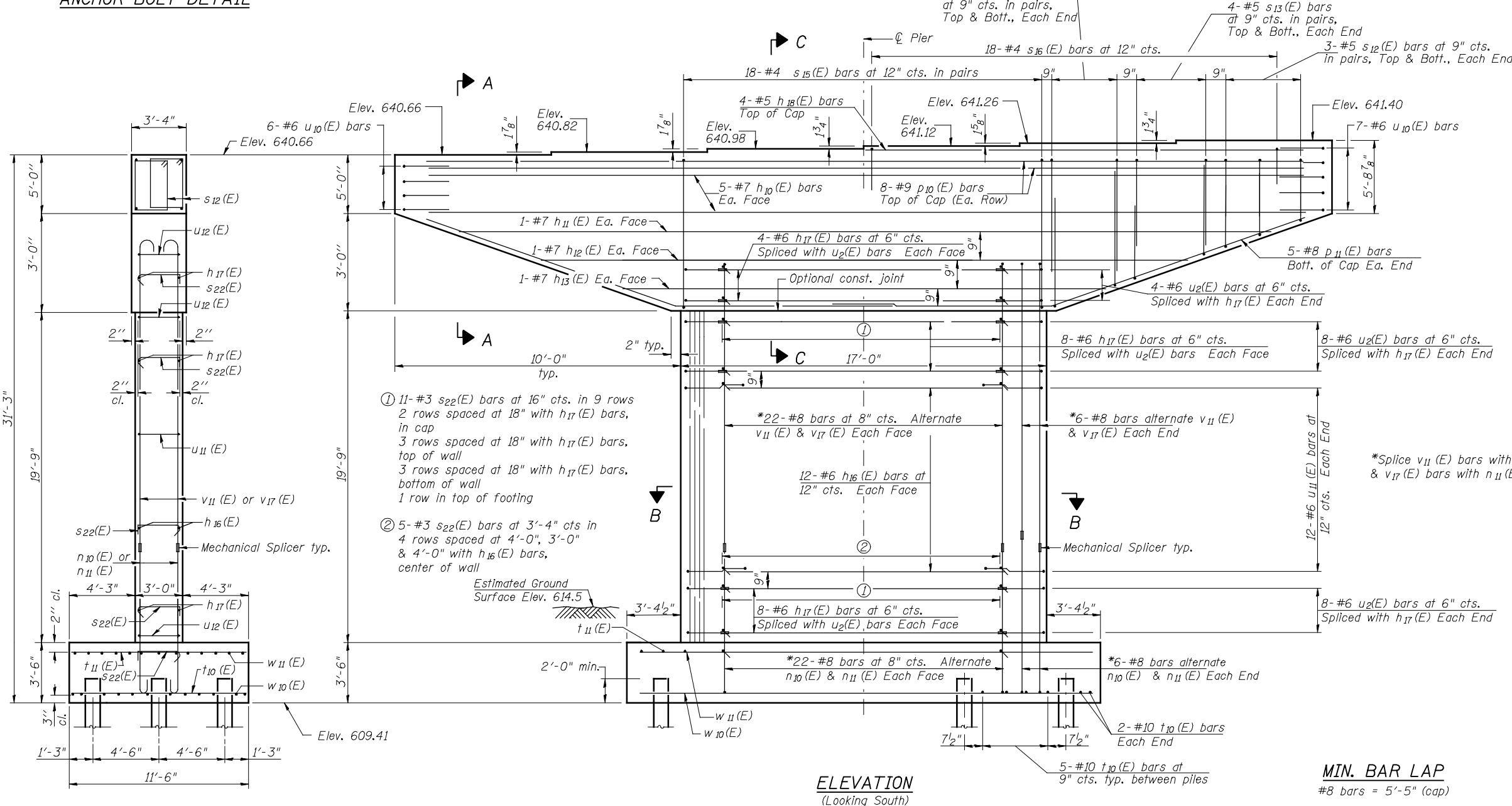
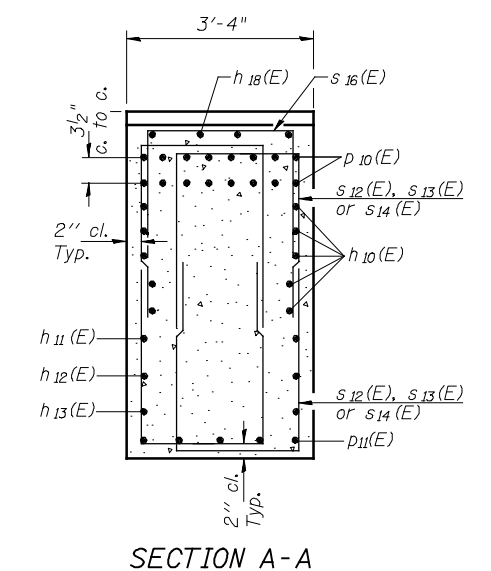
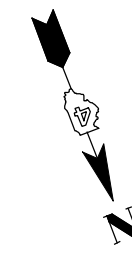
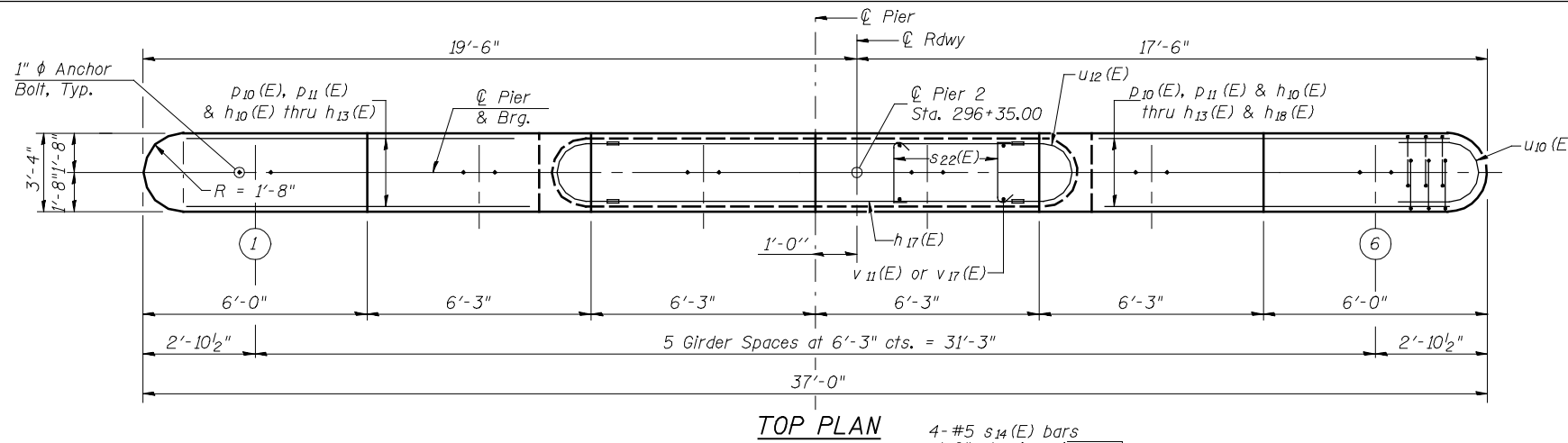
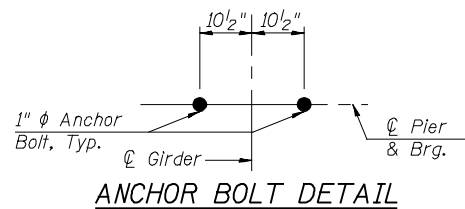


Notes:
 Space reinforcement in cap to miss anchor bolts.
 Pour steps monolithically with cap.
 For details of piles, see sheet 53 of 62.



PILE DATA

Type: Metal Shell 14" dia. x 0.312" Walls with Pile Shoes
 Nominal Required Bearing: 446k
 Factored Resistance Available: 245k
 Est. Length: 41'
 No. Production Piles: 17
 No. Test Piles: 1

MIN. BAR LAP
 #8 bars = 5'-5" (cap)

Hutchison Engineering, Inc.
 Jacksonville, Peoria, & Shorewood, Illinois

USER NAME = jdean
 PLOT SCALE = NONE
 PLOT DATE = 7/25/2013

DESIGNED - JOH
 CHECKED - BAN
 DRAWN - TAC
 CHECKED - JOH/BAN

REVISED -
 REVISED -
 REVISED -
 REVISED -

**STATE OF ILLINOIS
 DEPARTMENT OF TRANSPORTATION**

**PIER 2 DETAILS
 STRUCTURE NO. 062-0086**

SHEET NO. 43 OF 62 SHEETS

F.A.P. RTE.	SECTION	COUNTY	TOTAL SHEETS	SHEET NO.
698	(125VBR)BR	MARSHALL	148	68

ILLINOIS FED. AID PROJECT