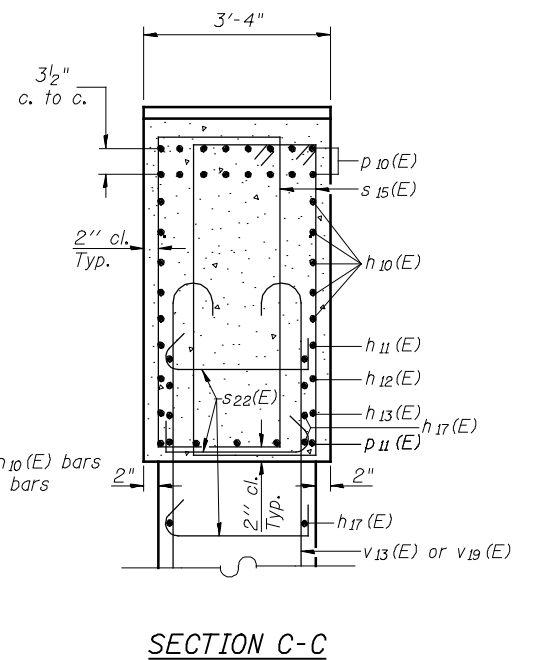
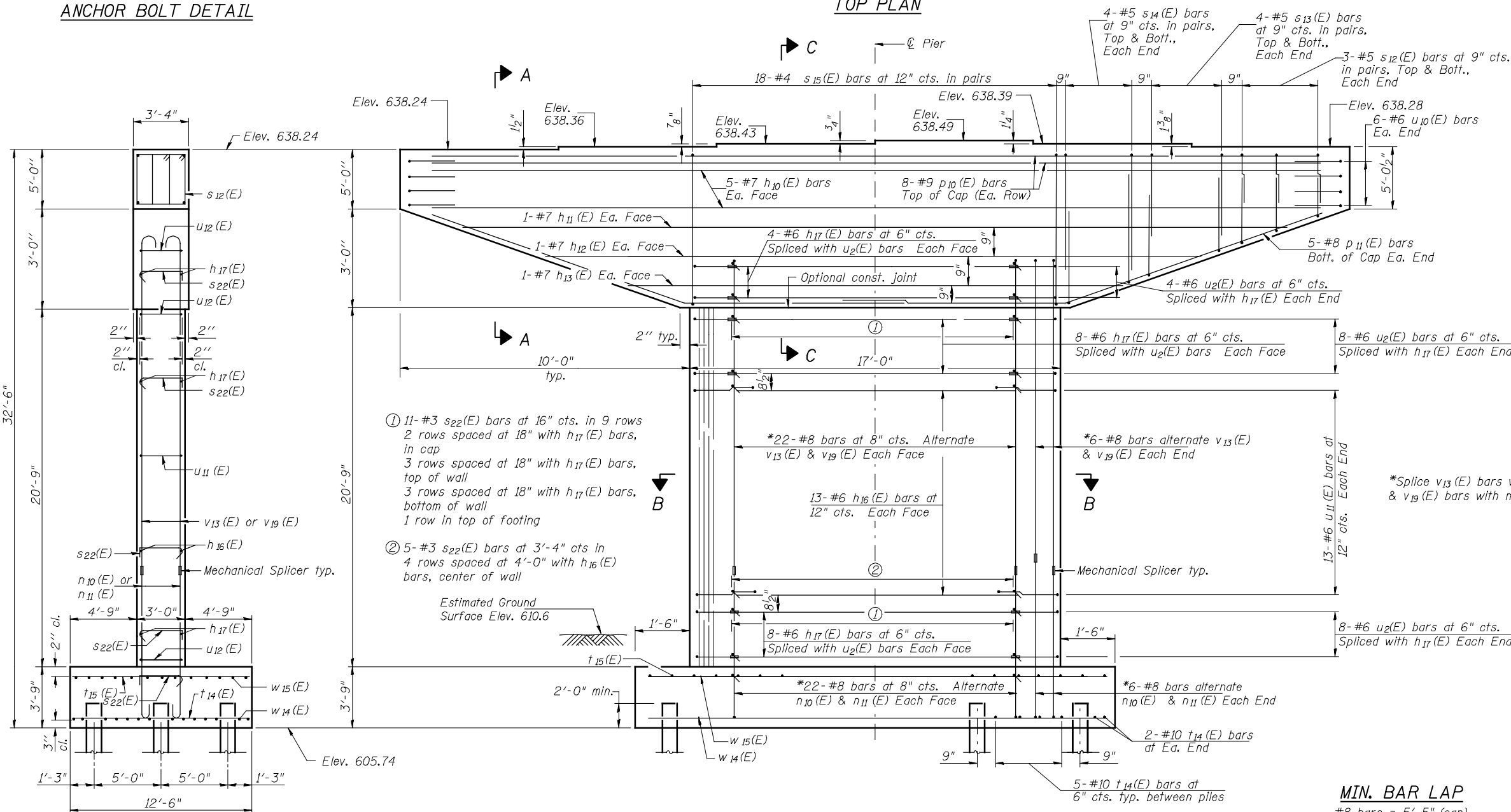
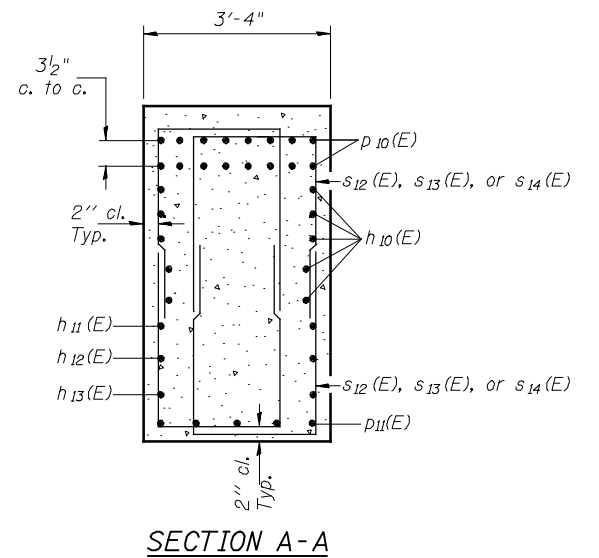
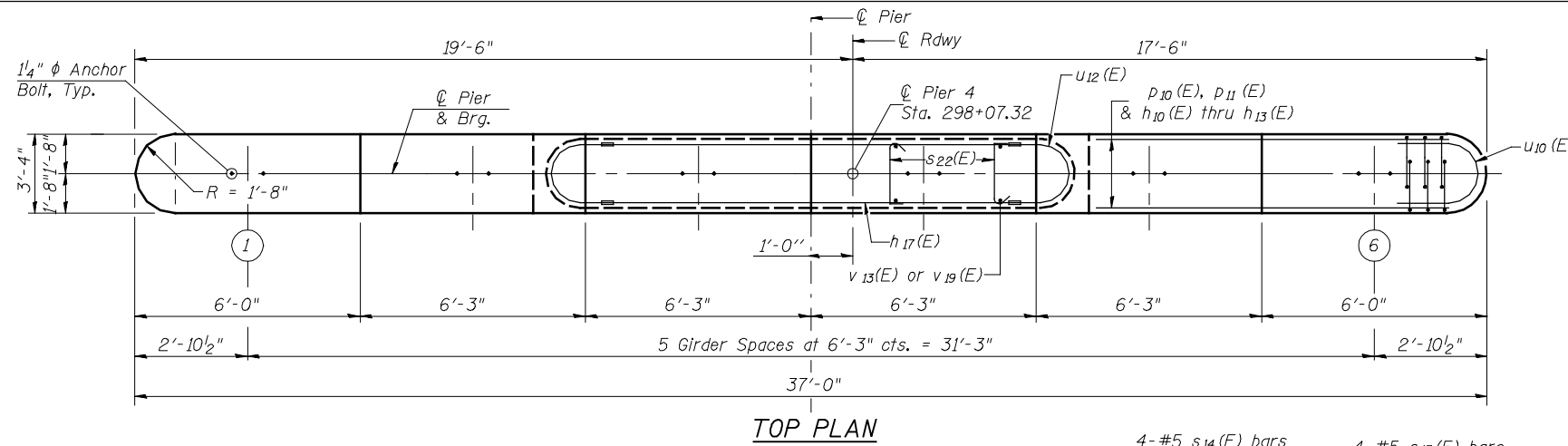
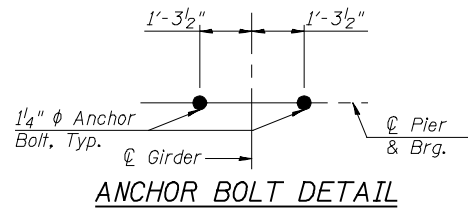


Notes:
 Space reinforcement in cap to miss anchor bolts.
 Pour steps monolithically with cap.
 For details of piles, see sheet 53 of 62.



PILE DATA

Type: Metal Shell 14" dia. x 0.312" Walls with Pile Shoes
 Nominal Required Bearing: 398k
 Factored Resistance Available: 219k
 Est. Length: 42'
 No. Production Piles: 17
 No. Test Piles: 1

MIN. BAR LAP
 #8 bars = 5'-5" (cap)