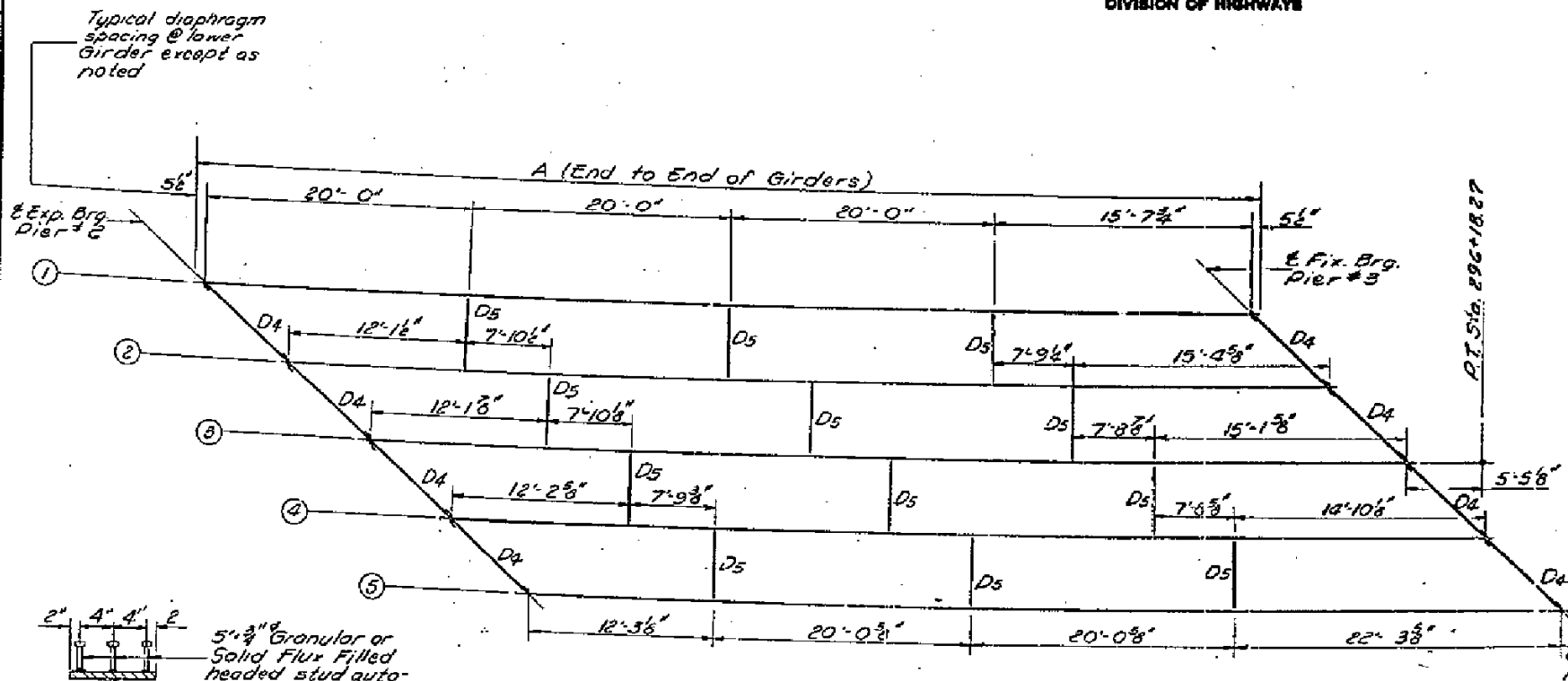


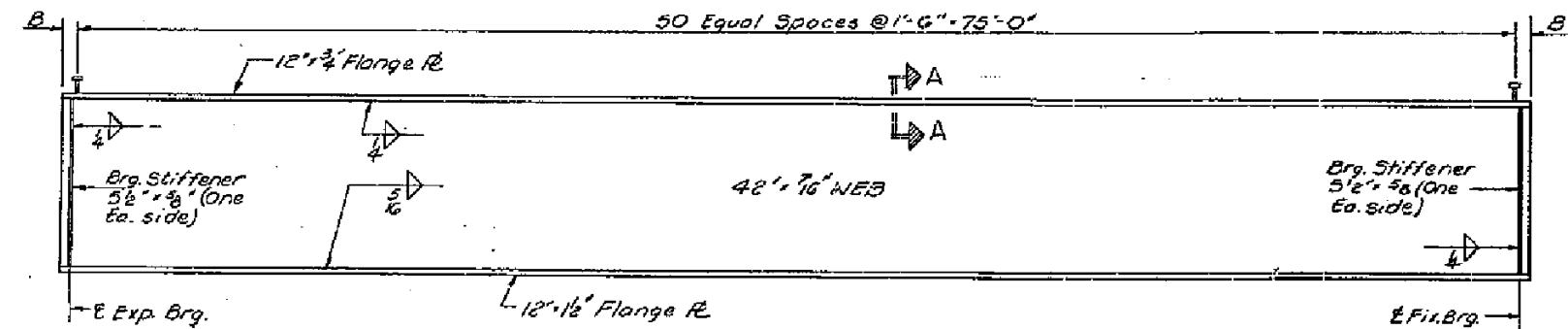
STATE OF ILLINOIS
DEPARTMENT OF PUBLIC WORKS & BUILDINGS
DIVISION OF HIGHWAYS

SHEET NO. 9
15 MARSHALL 41 15
6 SHEETS

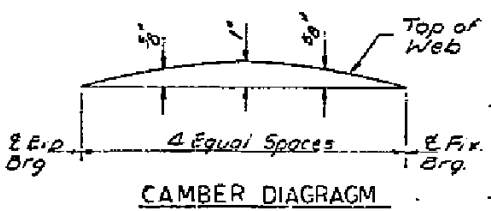
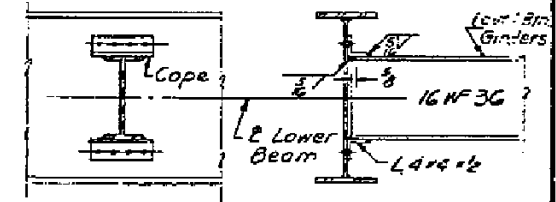
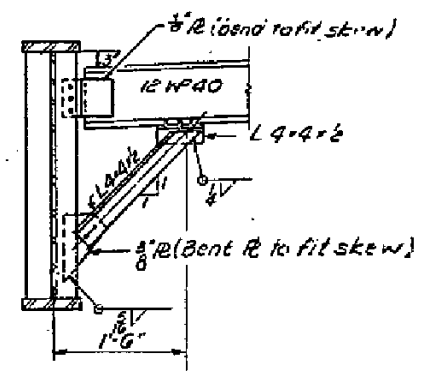
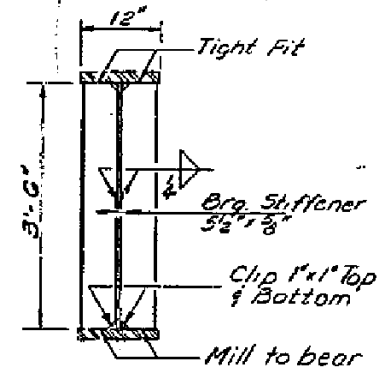


PLAN
All Girders are spaced @ 6'-8" cts. along radial lines. Horizontal dimensions are given along E of Girders.

SEC. A A
153 Stud/Girder
Total-765 Studs



ELEVATION



TOP OF WEB ELEVATION

TABLE OF RADIUS VALUES OF A & B

	Girder 1	Girder 2	Girder 3	Girder 4	Girder 5
Radius	2631.09	2637.76	2644.42	2651.09	2657.75
A	76'-6 1/2"	76'-3 3/8"	76'-0 5/8"	75'-9 3/8"	75'-7'
B	9'	7 1/2"	6 1/2"	4 1/2"	3'

	Brg. P. 2	Exp. P. 3
Girder 1	647.74	647.94
Girder 2	648.05	648.17
Girder 3	648.35	648.36
Girder 4	648.65	648.48
Girder 5	648.95	648.55

Notes: For Brg. Detail See Sheet #10

SPAN 3-DETAILS OF STRUCTURAL STEEL
S.B.I. RT. 89 SEC. 125 V.B.R.
MARSHALL COUNTY
STA. 295+98.75

DESIGNED: W. H. Hays
CHECKED: Lynn Tranco
DRAWN: F. Mercado
CHECKED: L. E.
EXAMINED: June 3, 1970
PASSED:
APPROVED: