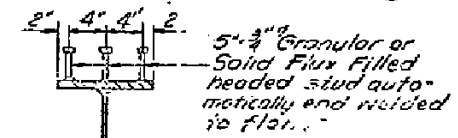
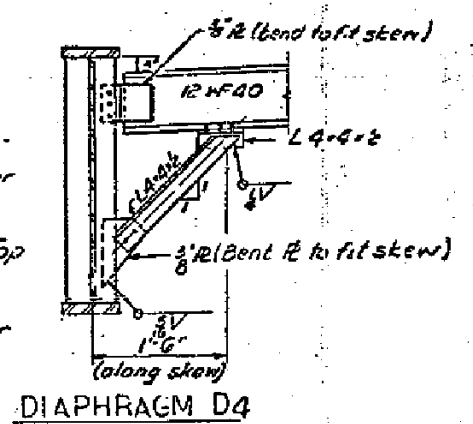
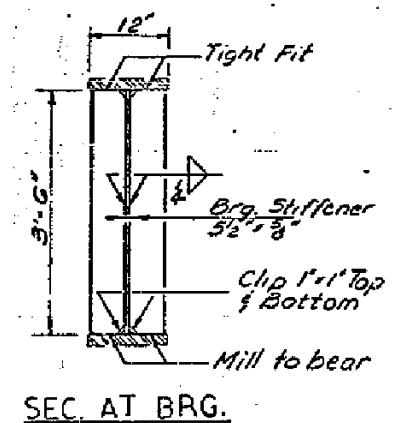
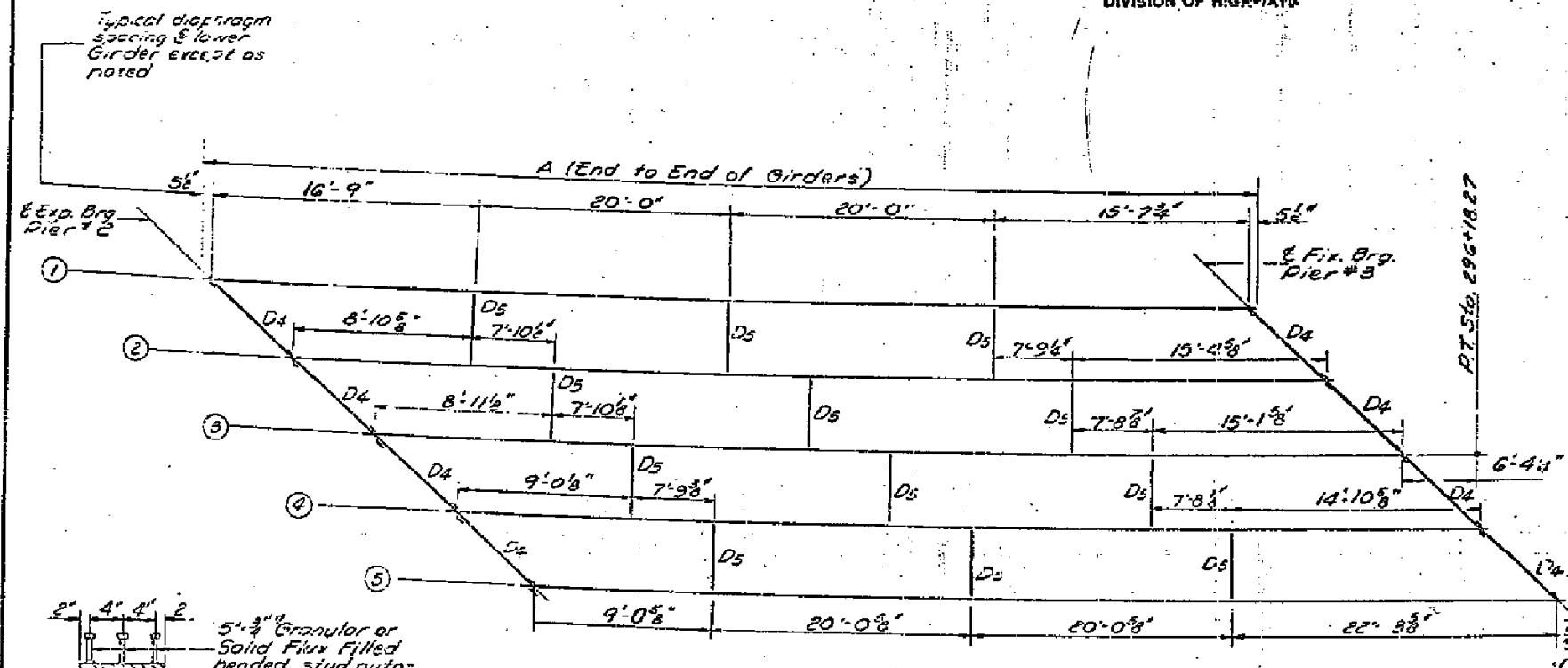


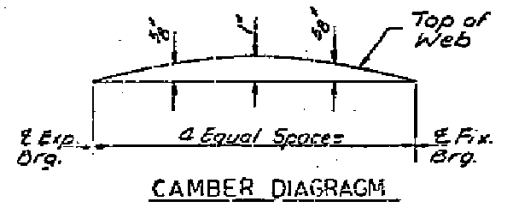
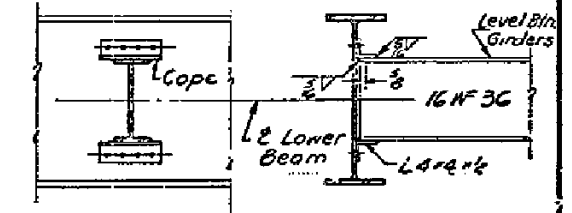
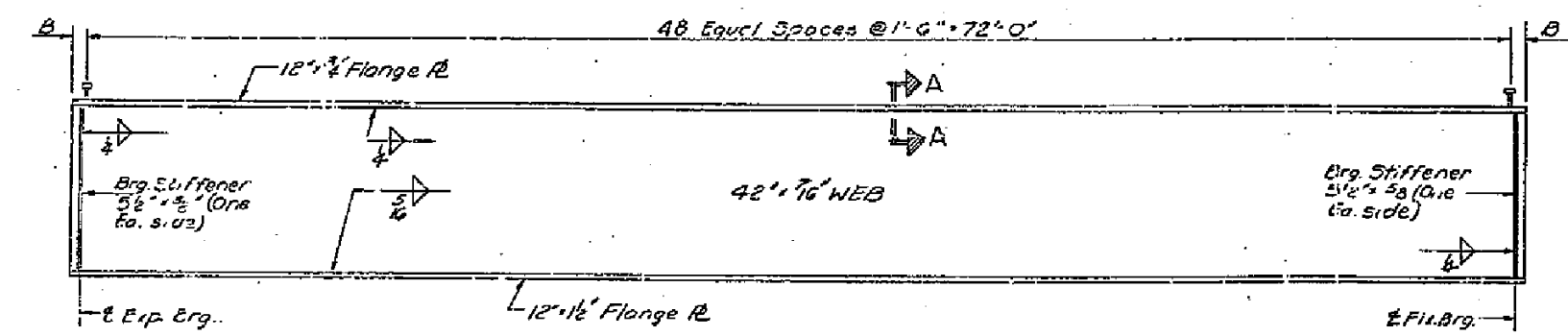
STATE OF ILLINOIS  
DEPARTMENT OF PUBLIC WORKS & BUILDINGS  
DIVISION OF HIGHWAYS

SHEET NO. 9A	
2500 MARSHAL 41	15A
6 SHEETS	



**PLAN**

All Girders are spaced @ 6'-8" cts. along radial lines. Horizontal dimensions are given along E of Girders.



DESIGNED: <i>W. H. H. H.</i>	EXAMINED: <i>W. H. H. H.</i>
CHECKED: <i>L. T.</i>	PARSED: <i>W. H. H. H.</i>
DRAWN: <i>F. Mercado</i>	APPROVED: <i>W. H. H. H.</i>
CHECKED: <i>L. T.</i>	

TABLE OF RADIUS VALUES OF A & B

Radius	Girder 1	Girder 2	Girder 3	Girder 4	Girder 5
A	73'-3 3/4"	73'-0 3/4"	72'-9 1/4"	72'-7 1/4"	72'-4 1/2"
B	7 1/8"	6 3/8"	2 1/2"	3 1/4"	2 1/4"

TOP OF WEB ELEVATION

	Exp. P2	Exp. P3
Girder 1	647.74	647.94
Girder 2	648.05	648.17
Girder 3	648.35	648.56
Girder 4	648.65	648.42
Girder 5	648.95	648.59

Notes: For Brg. Detail See Sheet #10

AS REV. 6-1-71 WH  
SPAN 3-DETAILS OF  
STRUCTURAL STEEL  
S.B.I. RT. 89 SEC. 125V.B.R.  
MARSHALL COUNTY  
STA. 295+98.75