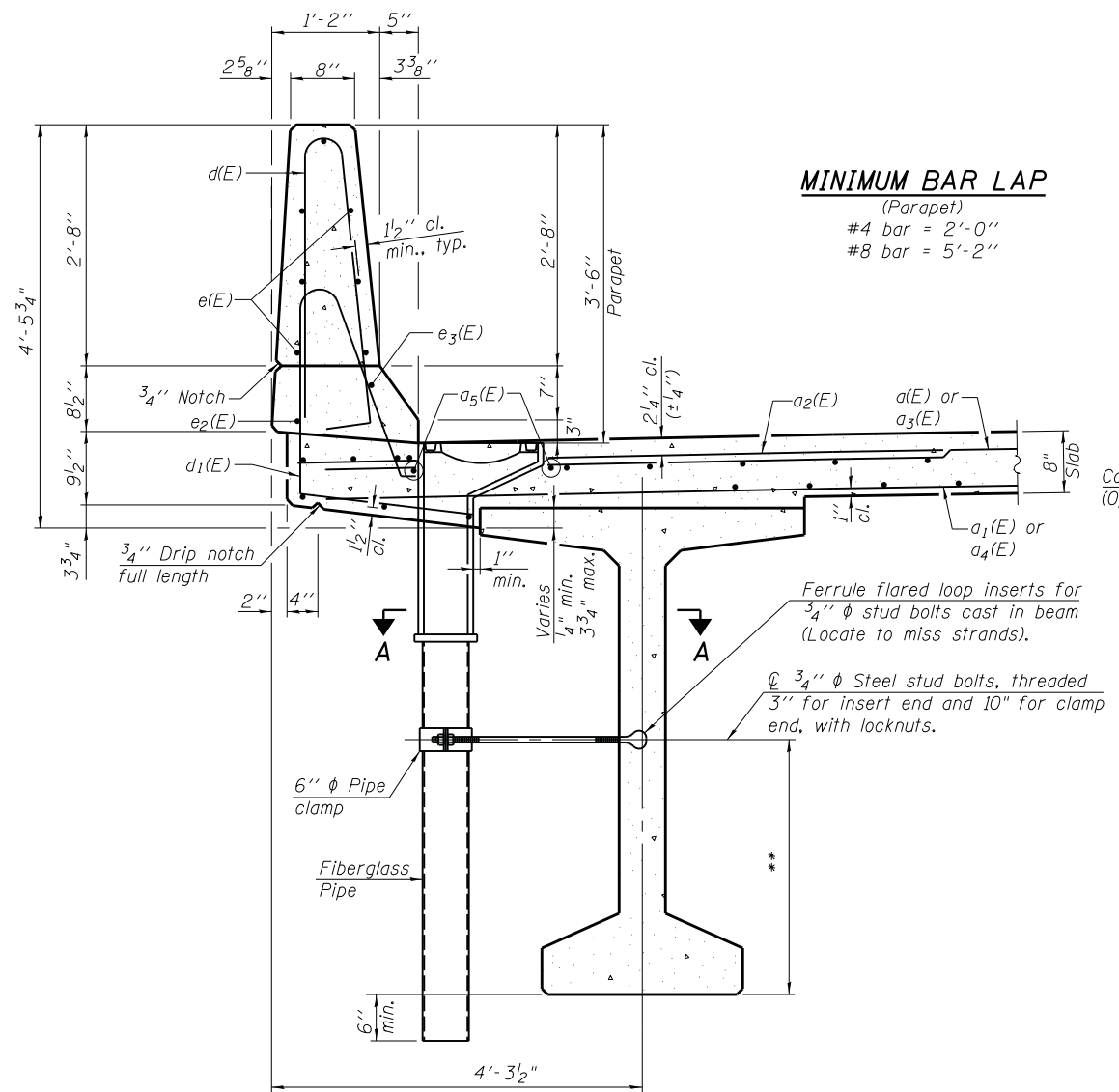


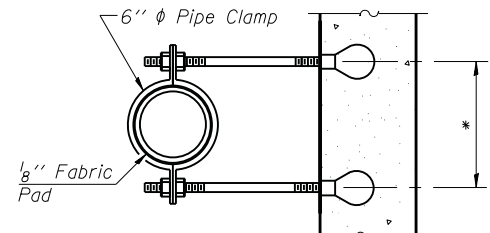
FILLET REINFORCEMENT DETAIL

Bars b₂(E) and s₄(E) should be placed in locations where the fillet exceeds 2"



SECTION THRU PARAPET

**For insert locations see sheet S18 of S25.

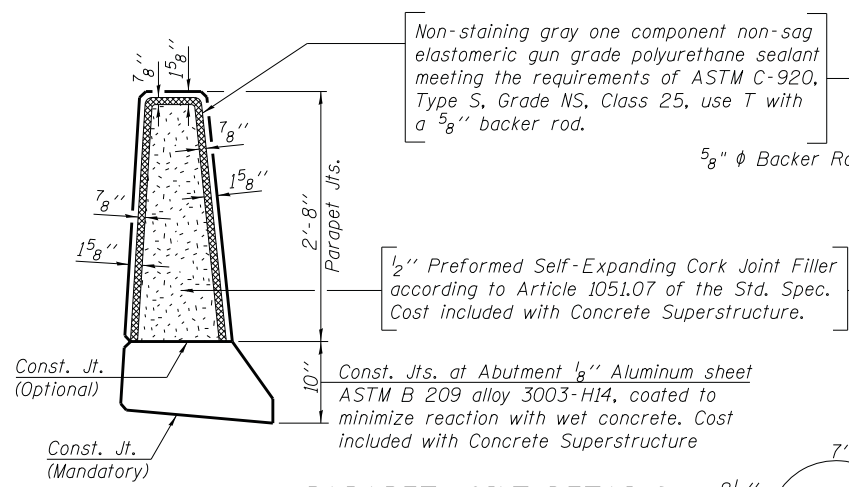


SECTION A-A

*Dimension as required by Pipe Clamp

MINIMUM BAR LAP

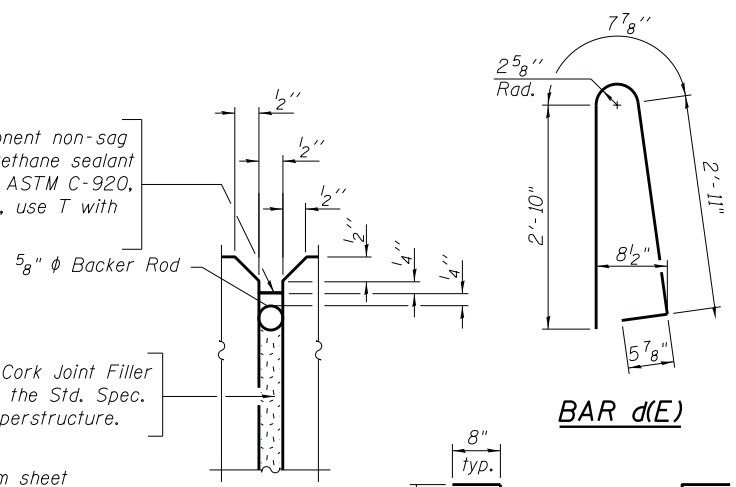
(Parapet)
#4 bar = 2'-0"
#8 bar = 5'-2"



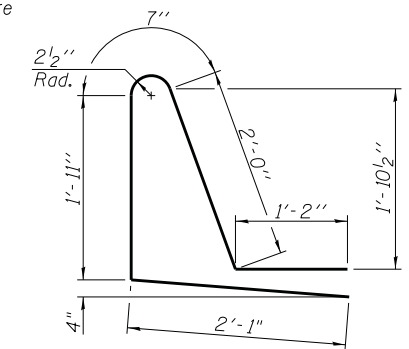
PARAPET JOINT DETAILS

Notes:

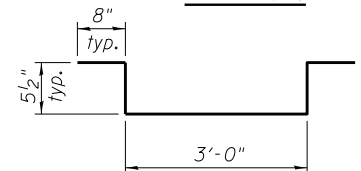
1. Fiberglass pipe shall conform to ASTM D2996, with short-time rupture strength hoop tensile stress of 30,000 p.s.i. minimum.
2. The clamping device and inserts shall be galvanized according to AASHTO M 232.
3. Cost of fiberglass pipe and clamping device and inserts included with Drainage Scupper, DS-11.



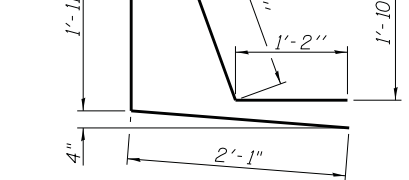
BAR d(E)



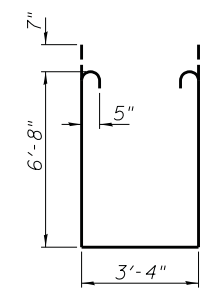
BAR d1(E)



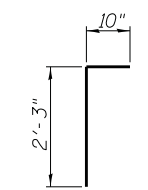
BAR s4(E)



BAR s(E)



BAR s1(E)



BAR v(E)

SUPERSTRUCTURE BILL OF MATERIAL

Bar	No.	Size	Length	Shape
d(E)	183	#5	20' - 1"	U
a1(E)	128	#5	20' - 2"	U
a2(E)	366	#6	6' - 6"	U
a3(E)	183	#5	22' - 2"	U
a4(E)	128	#5	22' - 1"	U
a5(E)	64	#5	1' - 6"	U
b(E)	240	#5	23' - 7"	U
b1(E)	152	#5	28' - 9"	U
b2(E)	24	#4	27' - 0"	U
d(E)	232	#5	6' - 11"	U
d1(E)	232	#5	7' - 9"	U
e(E)	84	#4	17' - 3"	U
e2(E)	8	#4	28' - 0"	U
e3(E)	8	#8	30' - 4"	U
m(E)	14	#6	20' - 3"	U
m1(E)	14	#6	22' - 3"	U
m2(E)	40	#6	6' - 3"	U
m3(E)	20	#6	3' - 9"	U
m4(E)	10	#6	1' - 10"	U
m5(E)	10	#6	3' - 11"	U
m6(E)	8	#6	4' - 6"	U
m7(E)	4	#6	2' - 11"	U
m8(E)	2	#6	1' - 1"	U
m9(E)	2	#6	3' - 1"	U
m10(E)	36	#5	4' - 0"	U
s(E)	76	#5	10' - 10"	U
s1(E)	54	#5	17' - 10"	U
s4(E)	348	#4	5' - 3"	U
v(E)	88	#5	3' - 1"	U
Concrete Superstructure			Cu. Yd.	213.7
Bridge Deck Grooving			Sq. Yd.	469
Protective Coat			Sq. Yd.	571
Reinforcement Bars, Epoxy Coated			Pound	38,660

Bars indicated thus 1 x 4 - #8 etc. indicates 1 line of bars with 4 lengths per line.