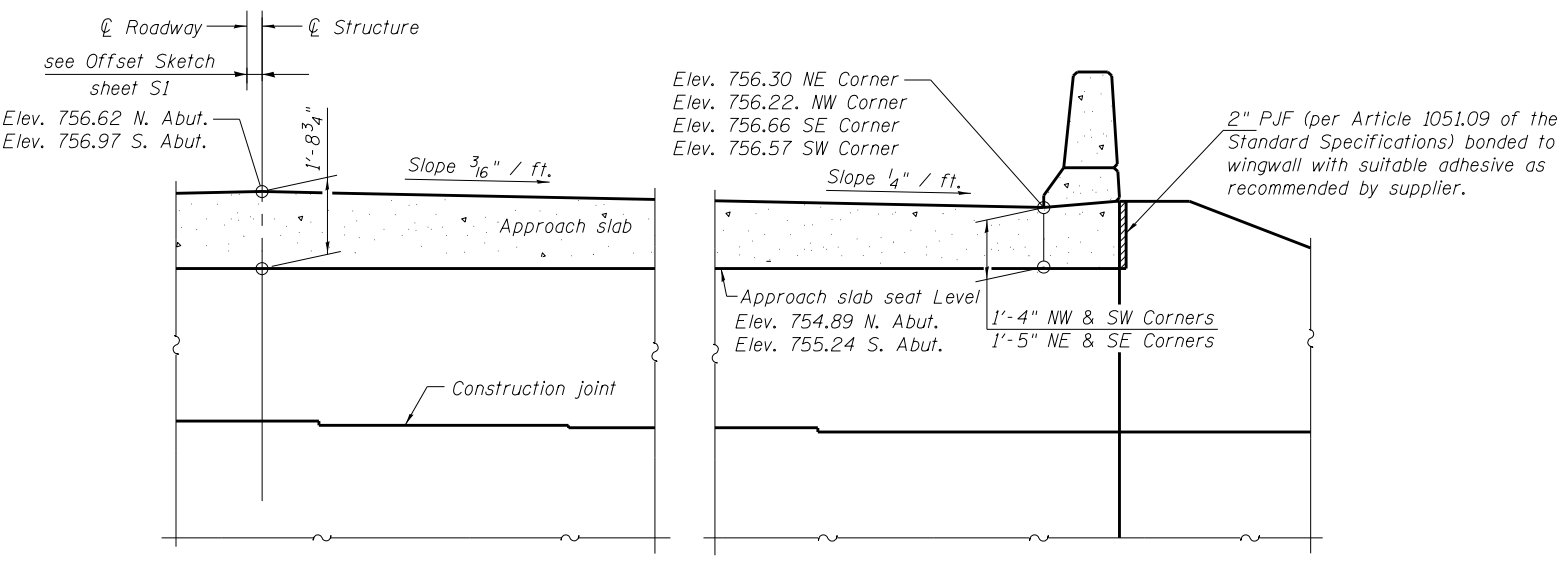
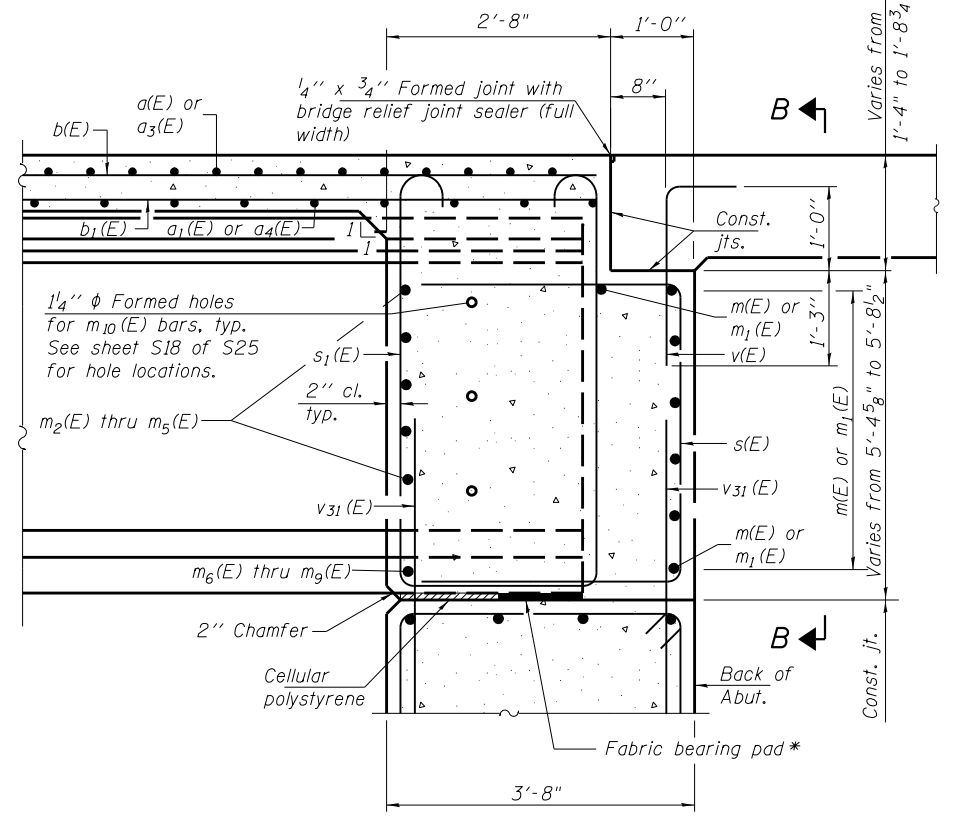


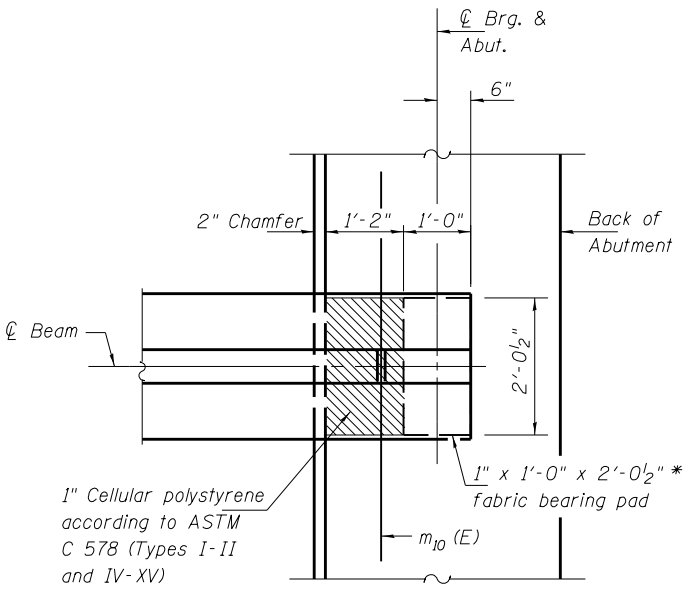
DIAPHRAGM ELEVATION AT ABUTMENT



SECTION B-B



SECTION A-A



PARTIAL PLAN AT ABUTMENT

*Cost of fabric bearing pad is included with Concrete Superstructure

NOTES

1. Reinforcement bars in diaphragm are billed with superstructure on sheet S13 of S25.
2. Concrete in diaphragm is included with Concrete Superstructure on sheet S13 of S25.
3. For details of bars s(E), s1(E) and v(E) see sheet S13 of S25.
4. The approach slab seat shall have a constant slope determined from the control points shown.
5. Cost of cellular polystyrene is included with Concrete Superstructure.

FILE NAME = ... \0480090-68084-014-Diaphragm.dgn	DESIGNED <i>EV</i>	REVISED -	 800 WEST FULTON STREET CHICAGO, ILLINOIS 60611-1209 TEL 312 454 9100 FAX 312 555 1217 WEB www.sepstein.com	STATE OF ILLINOIS DEPARTMENT OF TRANSPORTATION	DIAPHRAGM DETAILS STRUCTURE NO. 048-0090	F.A.I. RTE. 74	SECTION 48-(25B)BR, BR-1J	COUNTY KNOX	TOTAL SHEETS 131	SHEET NO. 35
PLOT TIME = 9:31:50 AM	DRAWN <i>JCP</i>	REVISED -				CONTRACT NO. 68B85				
PLOT DATE = 10/1/2014	CHECKED <i>PC</i>	REVISED -				ILLINOIS FED. AID PROJECT				
	DATE <i>05 03 2013</i>	REVISED -				SHEET NO. S14 OF S25 SHEETS				