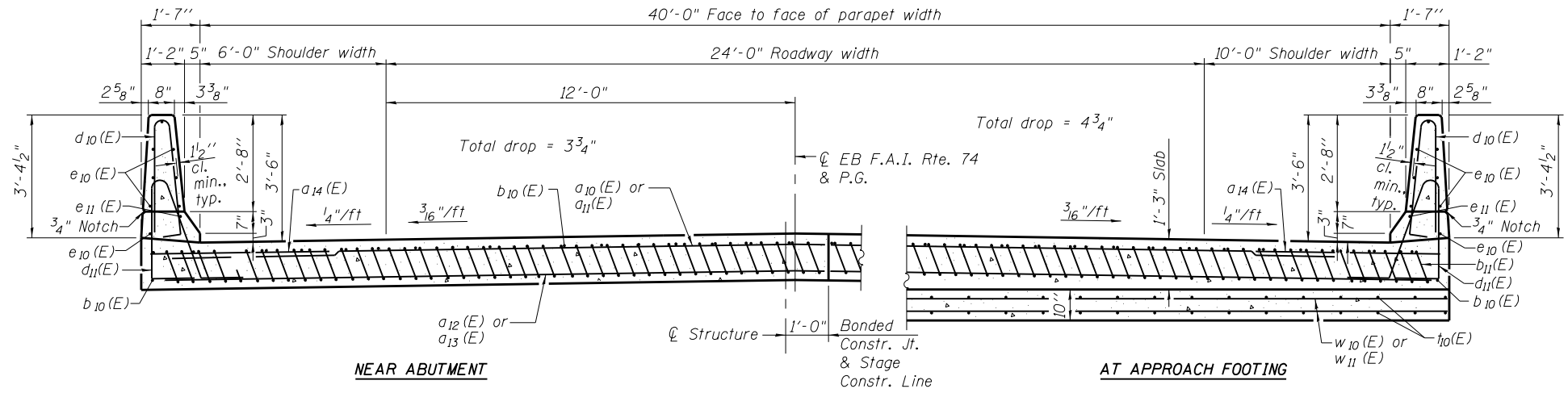


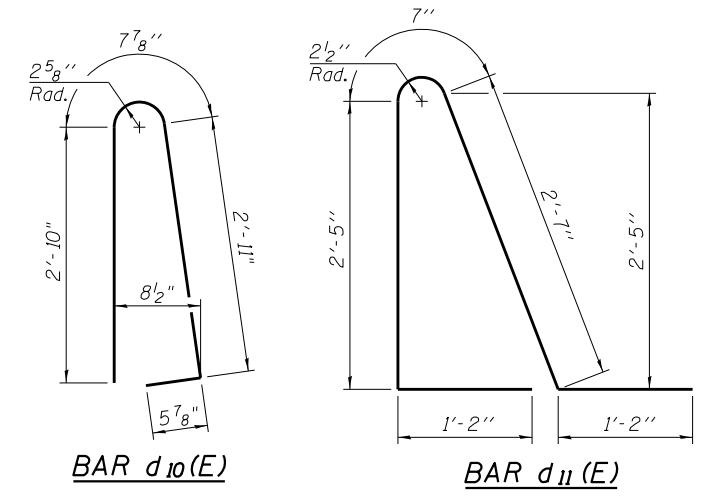
SECTION C-C

NOTES

1. Approach slab and parapet concrete shall be paid for as Concrete Superstructure.
2. Approach footing concrete shall be paid for as Concrete Structures.
3. Reinforcement shall be paid for as Reinforcement Bars, Epoxy Coated.
4. For v(E) bar details, see sheet S13 of S25.
5. The approach footing maximum applied service bearing pressure (Q_{max}) = 2.0 ksf.
6. For bar splicer details, see sheet S24 of S25.
7. Cost of excavation for approach footing included with Concrete Structures.
8. For Granular Backfill for Structures and drainage treatment details, see sheet S2 of S25.
9. For additional parapet details, see sheet S13 of S25.



SECTION D-D



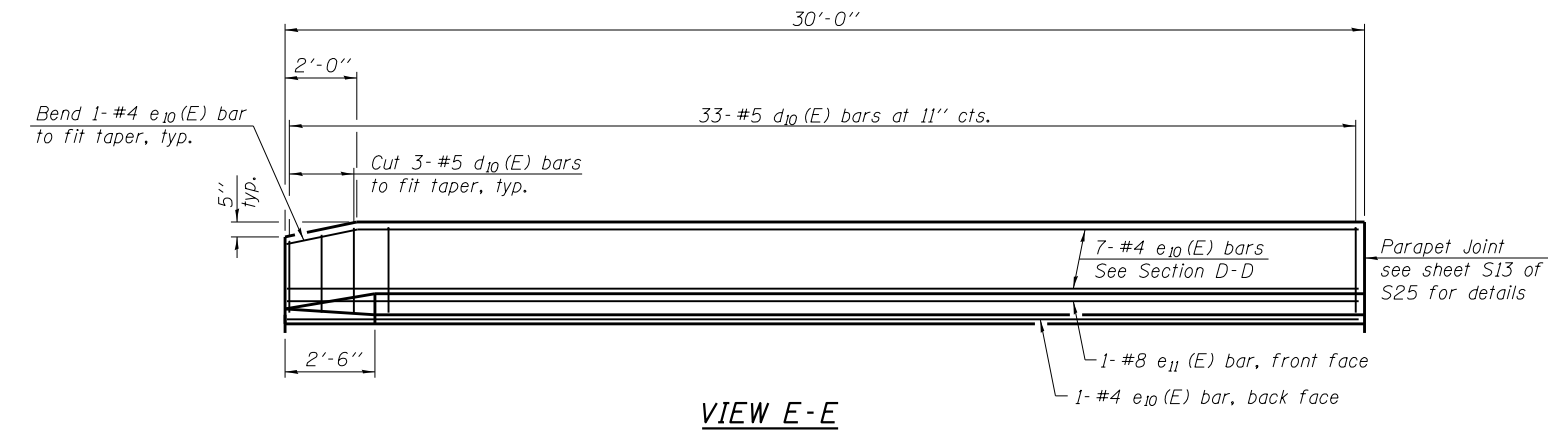
BAR d₁₀(E)

BAR d₁₁(E)

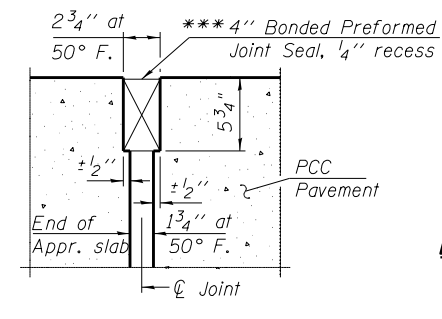
* Tilt #9 b₁₁(E) bars as required to maintain clearance.
 *** Cost included with Concrete Superstructure.

**TWO APPROACH SLABS
BILL OF MATERIAL**

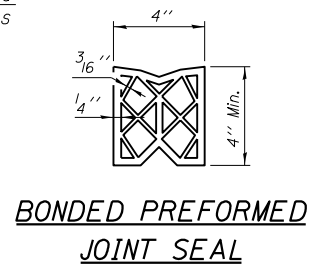
Bar	No.	Size	Length	Shape
a ₁₀ (E)	50	#4	20' - 8"	—
a ₁₁ (E)	50	#4	22' - 8"	—
a ₁₂ (E)	92	#5	20' - 4"	—
a ₁₃ (E)	92	#5	22' - 4"	—
a ₁₄ (E)	96	#6	6' - 6"	—
b ₁₀ (E)	78	#4	29' - 8"	—
b ₁₁ (E)	214	#9	29' - 9"	—
d ₁₀ (E)	132	#5	6' - 11"	—
d ₁₁ (E)	132	#5	7' - 11"	—
e ₁₀ (E)	32	#4	29' - 8"	—
e ₁₁ (E)	4	#8	29' - 8"	—
t ₁₀ (E)	184	#4	9' - 8"	—
w ₁₀ (E)	80	#5	20' - 4"	—
w ₁₁ (E)	80	#5	22' - 4"	—
Concrete Superstructure				Cu. Yd. 138.5
Concrete Structures				Cu. Yd. 26.6
Bridge Deck Grooving				Sq. Yd. 267
Protective Coat				Sq. Yd. 326
Reinforcement Bars, Epoxy Coated				Pound 37,430



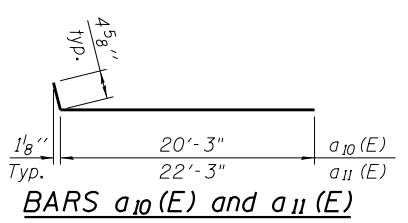
VIEW E-E



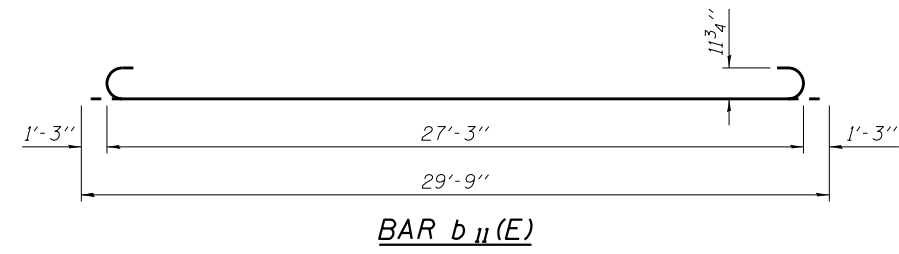
**RIGID PAVEMENT
DETAIL A**



**BONDED PREFORMED
JOINT SEAL**



BARS a₁₀(E) and a₁₁(E)



BAR b₁₁(E)