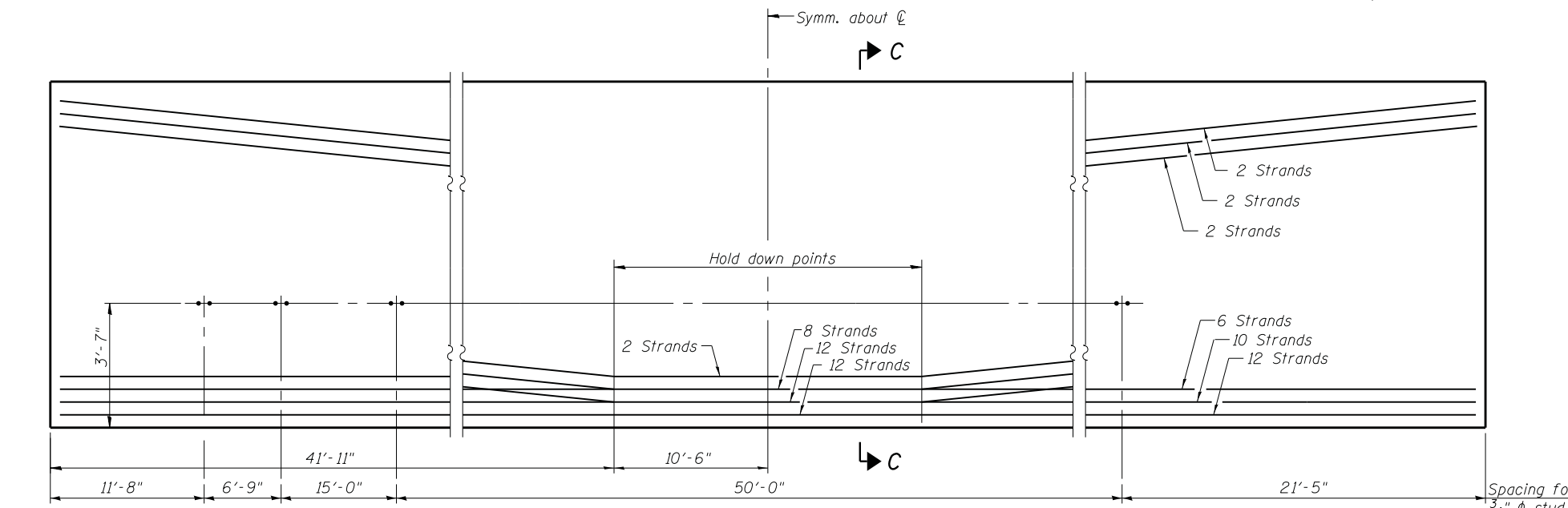
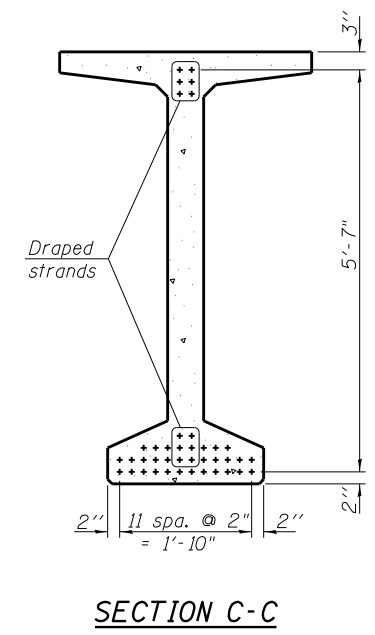


**ELEVATION OF BEAM**  
(Showing reinforcement & dimensions)

Note A:  
Hex nuts (top and bottom) with lock washers (top). Only tighten sufficiently to compress lock washers.



**ELEVATION OF BEAM**  
(Showing prestressing steel)



**SECTION C-C**

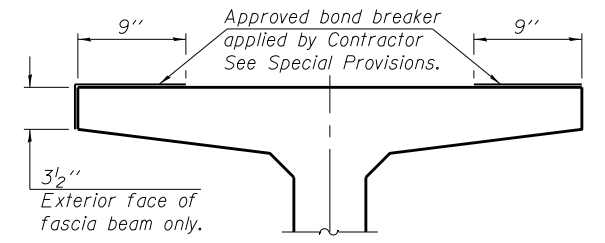
**\*\*\*BAR LIST**  
**ONE BEAM ONLY**

Bar	No.	Size	Length	Shape
G <sub>1</sub>	178	#4	13'-7"	∩L
G <sub>2</sub>	20	#4	11'-8"	∩
G <sub>3</sub>	24	#6	28'-6"	—
G <sub>4</sub>	54	#3	4'-11"	∩
G <sub>5</sub>	139	#5	3'-4"	—

\*\*\*For information only

**NOTES**

- See sheet S19 of S25 for additional details and Bill of Material.
- Required release strength, *f'ci*, shall be 5,000 psi.
- Apply approved bond breaker as shown in Section thru Top Flange full length of beam. See Special Provisions.



**SECTION THRU TOP FLANGE**  
(Showing limits of bond breaker)