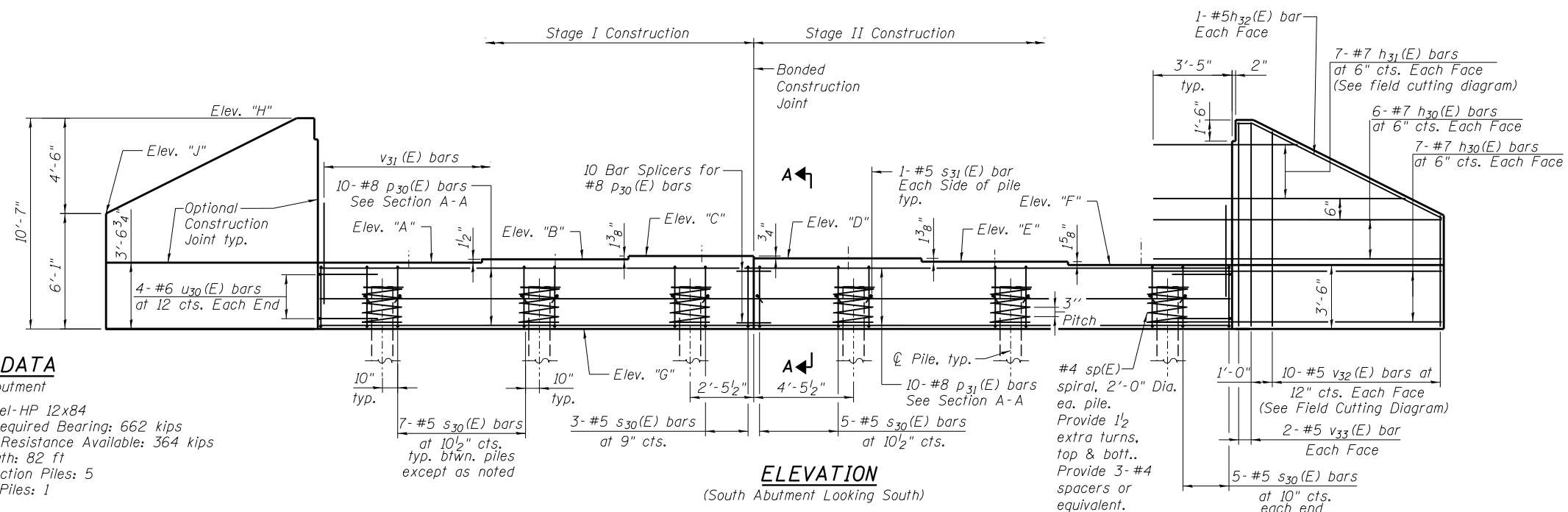


NOTES

1. Pour steps monolithically with cap.



PILE DATA

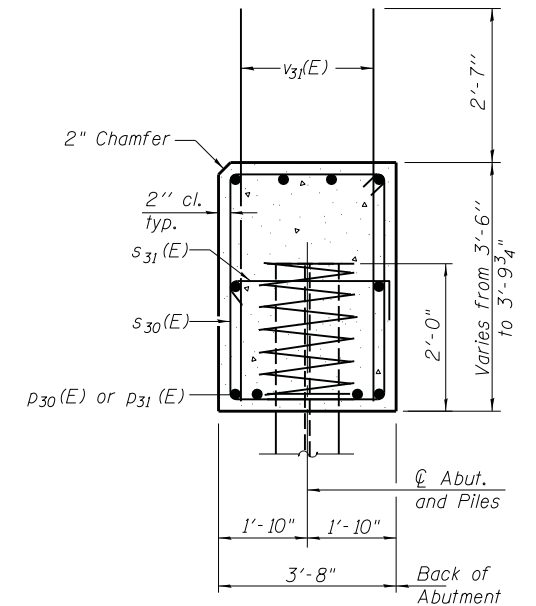
North Abutment

Type: Steel-HP 12x84
 Nominal Required Bearing: 662 kips
 Factored Resistance Available: 364 kips
 Est. Length: 82 ft
 No. Production Piles: 5
 No. Test Piles: 1

PILE DATA

South Abutment

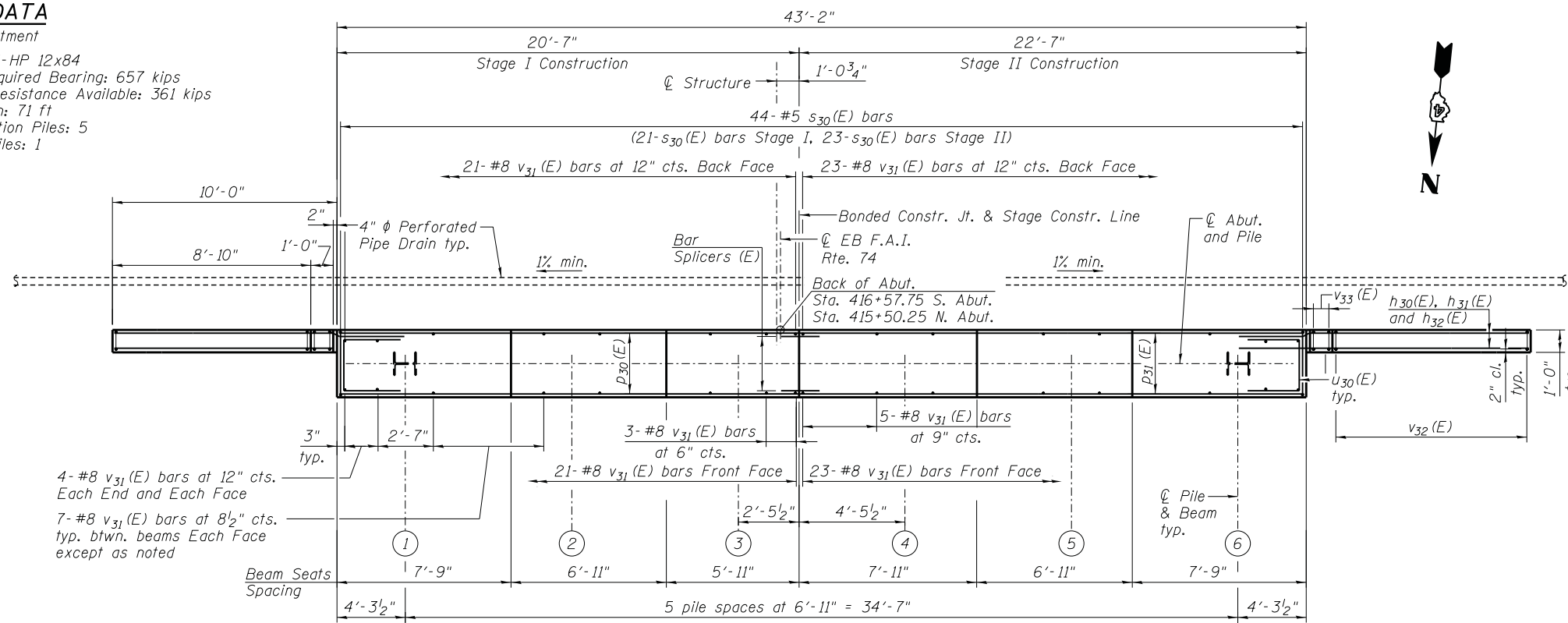
Type: Steel-HP 12x84
 Nominal Required Bearing: 657 kips
 Factored Resistance Available: 361 kips
 Est. Length: 71 ft
 No. Production Piles: 5
 No. Test Piles: 1



SECTION A-A

ELEVATION

(South Abutment Looking South)



PLAN

South Abutment show.
 North Abutment is similar

| | N. Abut. | S. Abut. |
|-----------|----------|----------|
| Elev. "A" | 749.26 | 749.61 |
| Elev. "B" | 749.39 | 749.73 |
| Elev. "C" | 749.50 | 749.84 |
| Elev. "D" | 749.43 | 749.78 |
| Elev. "E" | 749.32 | 749.67 |
| Elev. "F" | 749.18 | 749.53 |
| Elev. "G" | 745.70 | 746.03 |
| Elev. "H" | 756.28 | 756.61 |
| Elev. "J" | 751.78 | 752.11 |

NOTES

1. For Section thru Abutment, drainage details, Bar Bending Diagrams and Bill of Materials see sheet S21 of S25.
2. Backfill shall be placed behind the abutment after the superstructure has been poured and falsework removed. See Article 502.10 of the Standard Specifications.
3. For Bar Splicer (E) details see sheet S24 of S25.
4. For details of piles see sheet S22 of S25.