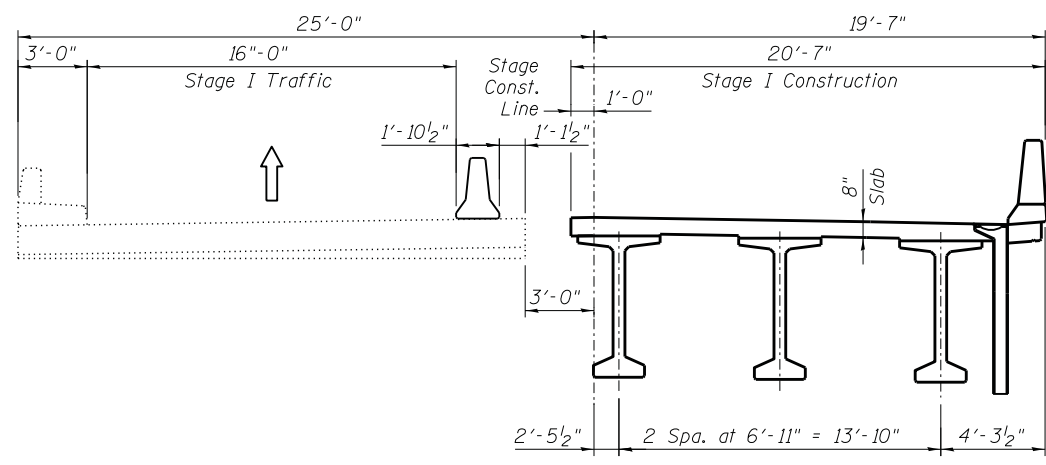
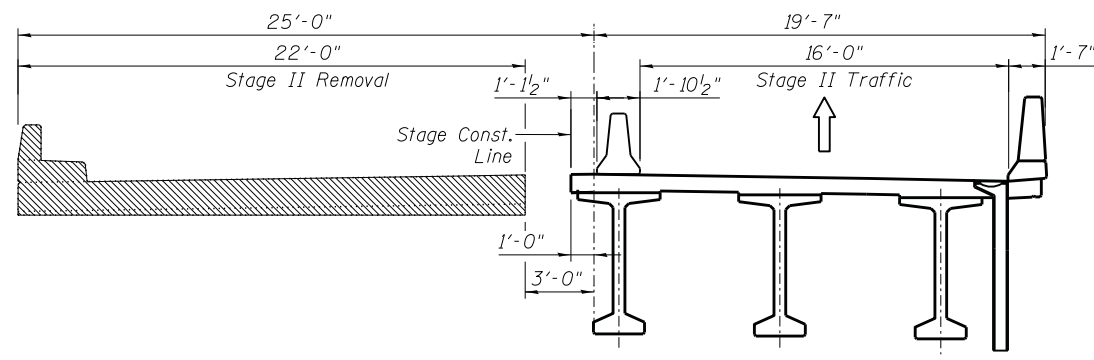


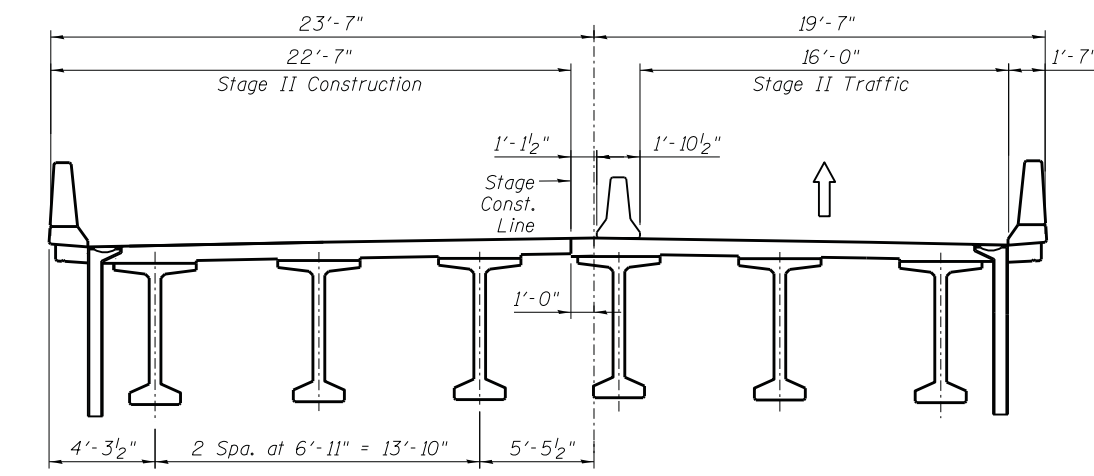
STAGE I REMOVAL



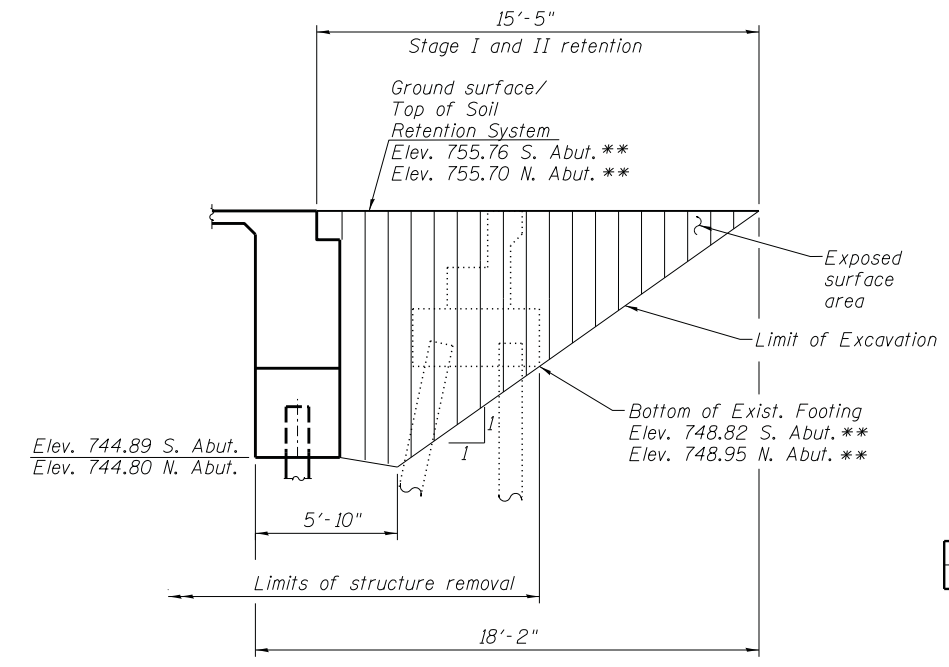
STAGE I CONSTRUCTION



STAGE II REMOVAL



STAGE II CONSTRUCTION



TEMPORARY SOIL RETENTION SYSTEM

**To be verified in field by the Contractor

BILL OF MATERIAL

ITEM	UNIT	QUANTITY
Temporary Soil Retention System	Sq. Ft.	208

NOTES

1. All stage cross sections are looking South.
2. See sheet S5 of S25 for Temporary Concrete Barrier.
3. Backfill shall be placed behind the abutment after the superstructure has been poured and false work removed. See Article 502.10 of the Standard Specifications.
4. A cantilevered sheet piling design does not appear feasible and additional members or other retention systems may be necessary. The Contractor shall submit a temporary soil retention system design including plan details and calculations for review and acceptance by the Engineer.
5. Hatched area indicates Removal of Existing Structures.