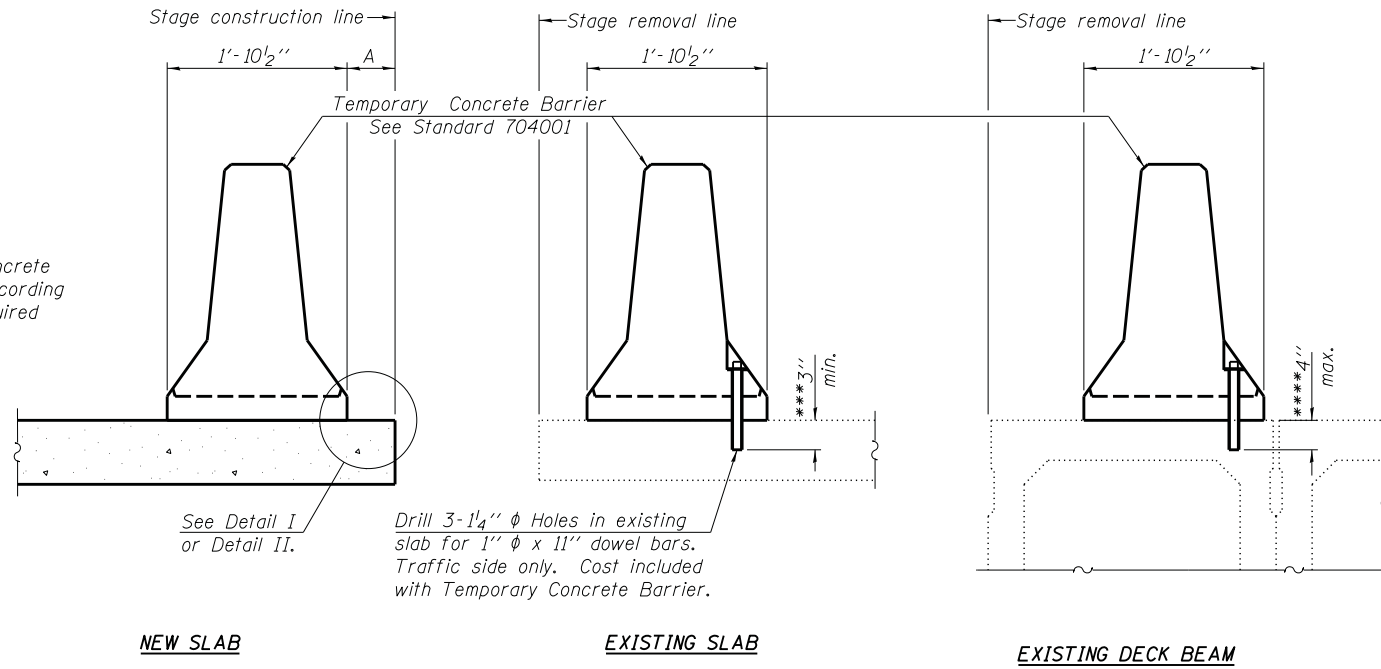


When "A" is 3'-6" or less, the temporary concrete barrier shall be anchored to the new slab according to Detail I or Detail II. No anchorage is required when "A" is greater than 3'-6".



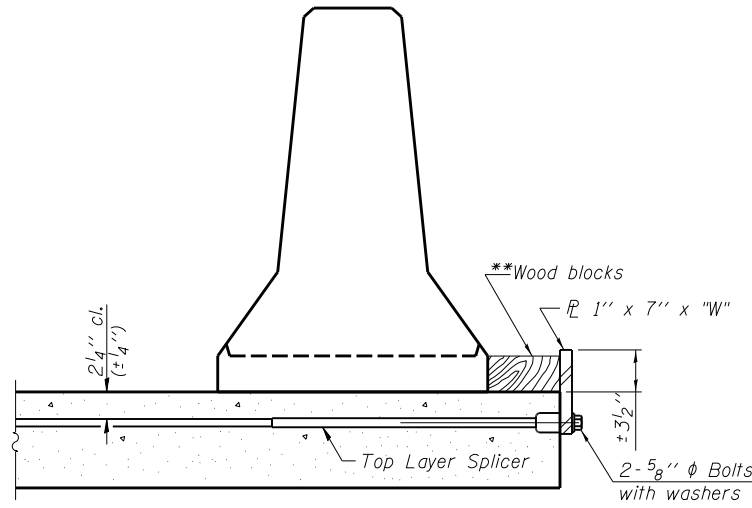
SECTIONS THRU SLAB OR DECK BEAM

NOTES

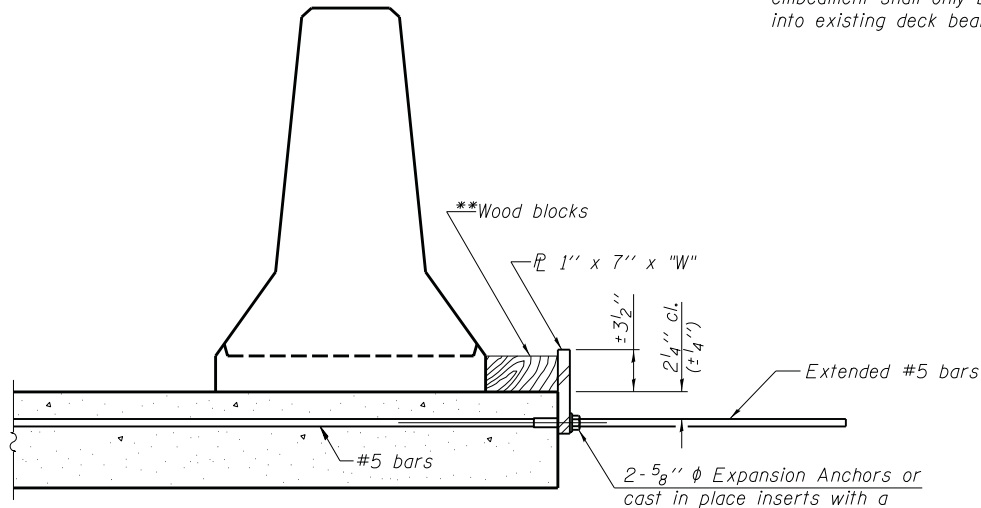
1. Detail I - With Bar Splicer or Couplers:
Connect one (1) 1" x 7" x "W" steel PL to the top layer of couplers with 2-5/8" φ bolts screwed to coupler at approximate C of each barrier panel.
2. Detail II - With Extended Reinforcement Bars:
Connect one (1) 1" x 7" x "W" steel PL to the concrete slab or concrete wearing surface with 2-5/8" φ Expansion Anchors or cast in place inserts spaced between the top layer of reinforcement at approximate C of each barrier panel.
3. Cost of anchorage is included with Temporary Concrete Barrier.
4. The 1" x 7" x "W" plate shall not be removed until stage II construction forms and all reinforcement bars are in place and the concrete is ready to be placed.

*** Dimension shown is minimum required embedment into concrete.
If hot-mix asphalt wearing surface is present, minimum embedment shall be in addition to wearing surface depth.

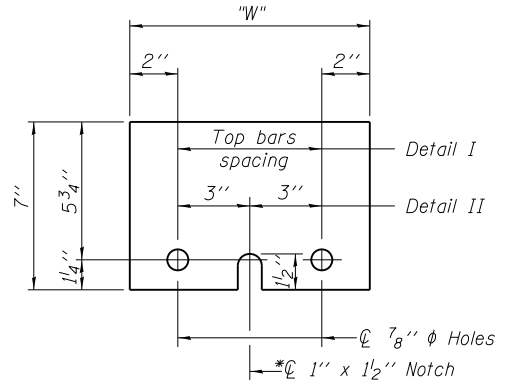
**** If existing deck beam is to remain in place after stage construction, embedment shall only be into wearing surface and not into existing deck beam concrete.



DETAIL I



DETAIL II



STEEL RETAINER PL 1" x 7" x "W"

* Required only with Detail II

** Wood blocks may be omitted when required to provide minimum stage traffic lane width. When the wood blocks are omitted, the concrete barrier shall be in direct contact with the steel retainer plate.

"W" = Top bars spacing + 4"

R-27

7-1-10

FILE NAME = ...\\0480091-68084-005-Temp.conc.barrier.dgn	DESIGNED EV	REVISED -	 800 WEST FULTON STREET CHICAGO, ILLINOIS 60611-1259 TEL 312 454 9100 FAX 312 559 1217 WEB www.sepstein.com	STATE OF ILLINOIS DEPARTMENT OF TRANSPORTATION	TEMPORARY CONCRETE BARRIER FOR STAGE CONSTRUCTION STRUCTURE NO. 048-0091	F.A.I. R.T.E.	SECTION	COUNTY	TOTAL SHEETS	SHEET NO.
PLOT TIME = 4:31:50 PM	DRAWN JCP	REVISED -				74	48-(125B)BR, BR-1J	KNOX	131	51
PLOT DATE = 7/30/2014	CHECKED PC	REVISED -				CONTRACT NO. 68B85				
	DATE 05 03 2013	REVISED -				SHEET NO. S5 OF S25 SHEETS				

ILLINOIS FED. AID PROJECT