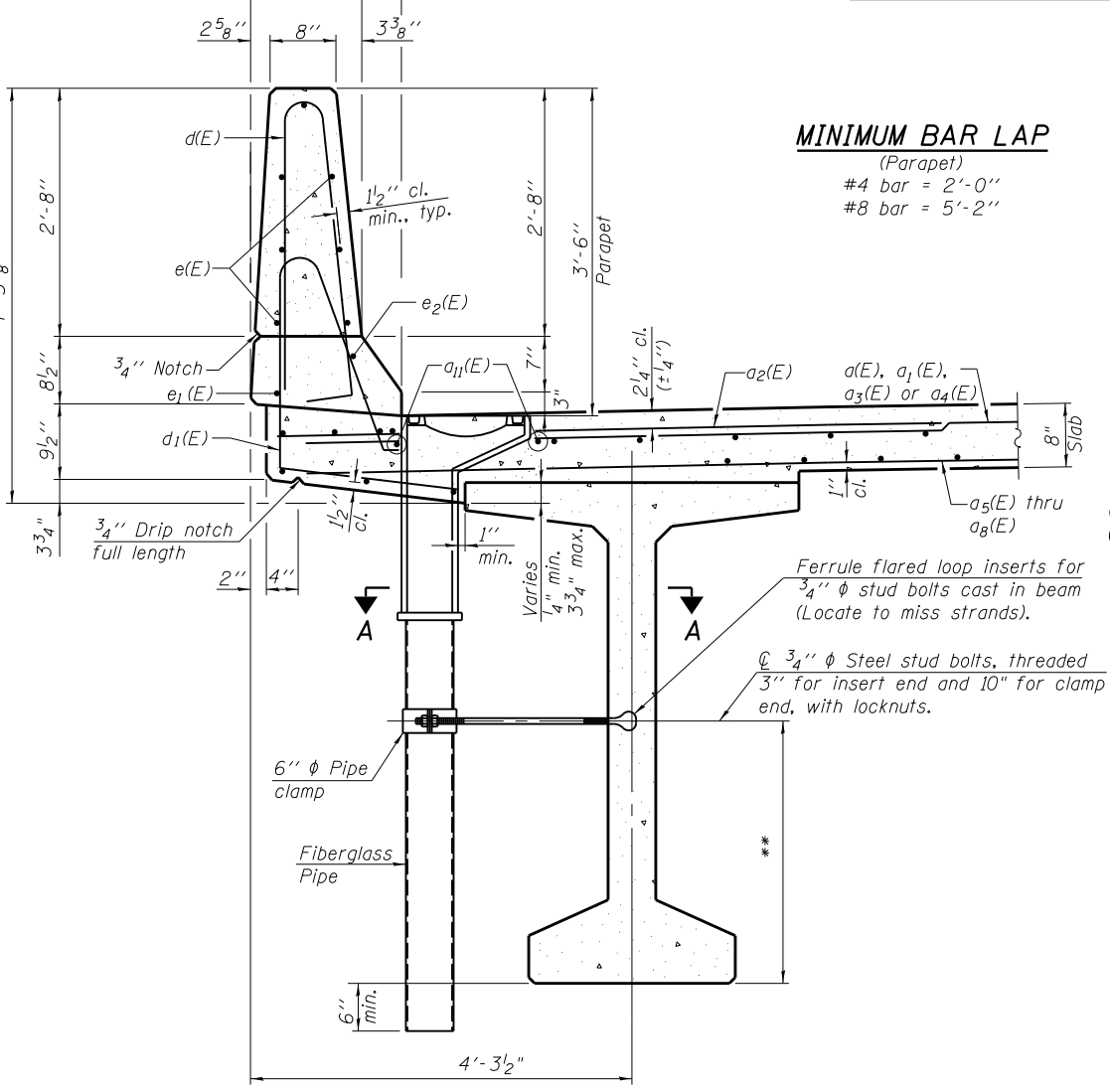


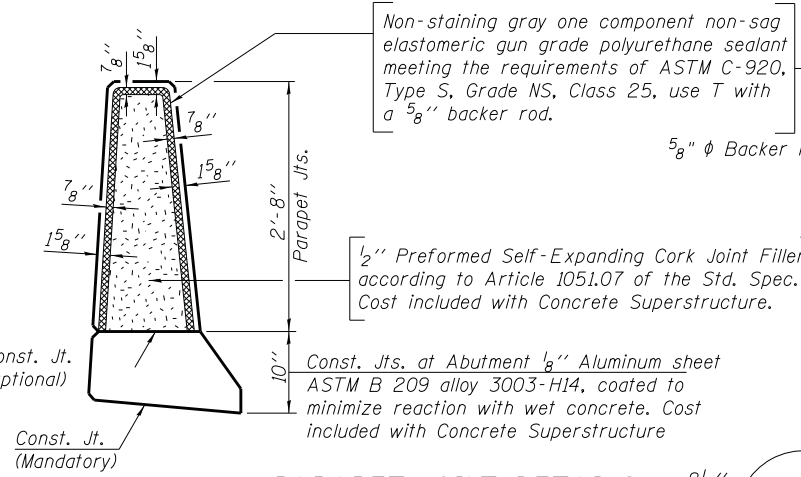
FILLET REINFORCEMENT DETAIL
Bars b₂(E) and s₄(E) should be placed in locations where the fillet exceeds 2"
min.

INSIDE ELEVATION OF PARAPET



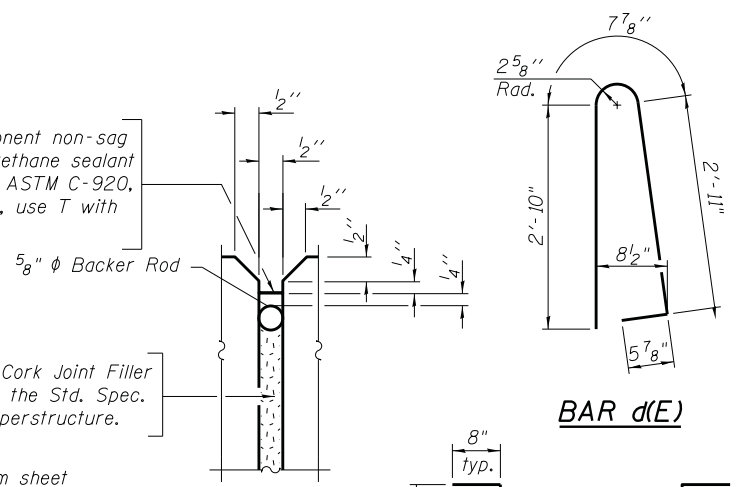
SECTION THRU PARAPET
**For insert locations see sheet S18 of S25.

MINIMUM BAR LAP
(Parapet)
#4 bar = 2'-0"
#8 bar = 5'-2"

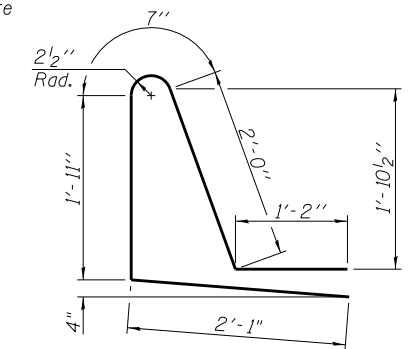


PARAPET JOINT DETAILS

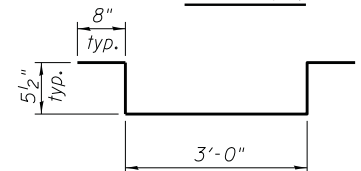
- Notes:
1. Fiberglass pipe shall conform to ASTM D2996, with short-time rupture strength hoop tensile stress of 30,000 p.s.i. minimum.
 2. The clamping device and inserts shall be galvanized according to AASHTO M 232.
 3. Cost of fiberglass pipe and clamping device and inserts included with Drainage Scupper, DS-11.



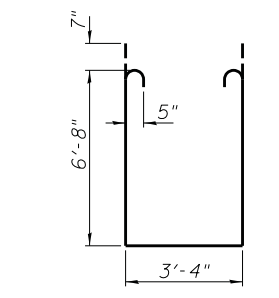
BAR d(E)



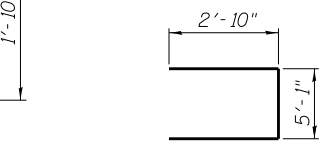
BAR d1(E)



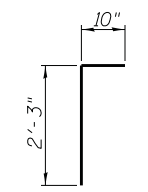
BAR s4(E)



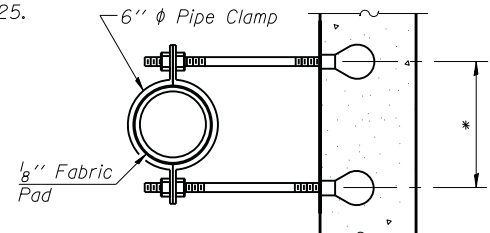
BAR s1(E)



BAR s(E)



BAR v(E)



SECTION A-A
*Dimension as required by Pipe Clamp

SUPERSTRUCTURE BILL OF MATERIAL

Bar	No.	Size	Length	Shape
a(E)	10	#5	20' - 10"	—
a1(E)	165	#5	20' - 2"	—
a2(E)	350	#6	6' - 6"	—
a3(E)	11	#5	22' - 10"	—
a4(E)	164	#5	22' - 2"	—
a5(E)	7	#5	20' - 9"	—
a6(E)	116	#5	20' - 1"	—
a7(E)	8	#5	22' - 10"	—
a8(E)	115	#5	22' - 3"	—
a9(E)	4	#5	21' - 0"	—
a10(E)	4	#5	23' - 1"	—
a11(E)	48	#5	1' - 6"	—
b(E)	240	#5	22' - 9"	—
b1(E)	152	#5	27' - 9"	—
b2(E)	24	#4	30' - 0"	—
d(E)	222	#5	6' - 11"	U
d1(E)	222	#5	7' - 9"	U
e(E)	84	#4	16' - 8"	—
e1(E)	8	#4	27' - 5"	—
e2(E)	8	#8	29' - 10"	—
m(E)	14	#6	21' - 0"	—
m1(E)	14	#6	23' - 1"	—
m2(E)	40	#6	6' - 4"	—
m3(E)	20	#6	3' - 10"	—
m4(E)	10	#6	1' - 11"	—
m5(E)	10	#6	4' - 0"	—
m6(E)	8	#6	4' - 8"	—
m7(E)	4	#6	3' - 0"	—
m8(E)	2	#6	1' - 1"	—
m9(E)	2	#6	3' - 2"	—
m10(E)	36	#5	4' - 0"	—
s(E)	76	#5	10' - 9"	U
s1(E)	54	#5	17' - 10"	U
s4(E)	372	#4	5' - 3"	U
v(E)	88	#5	3' - 1"	U
Concrete Superstructure		Cu. Yd.	211.4	
Bridge Deck Grooving		Sq. Yd.	452	
Protective Coat		Sq. Yd.	550	
Reinforcement Bars, Epoxy Coated		Pound	37,750	

Bars indicated thus 1 x 4 - #8 etc. indicates 1 line of bars with 4 lengths per line.