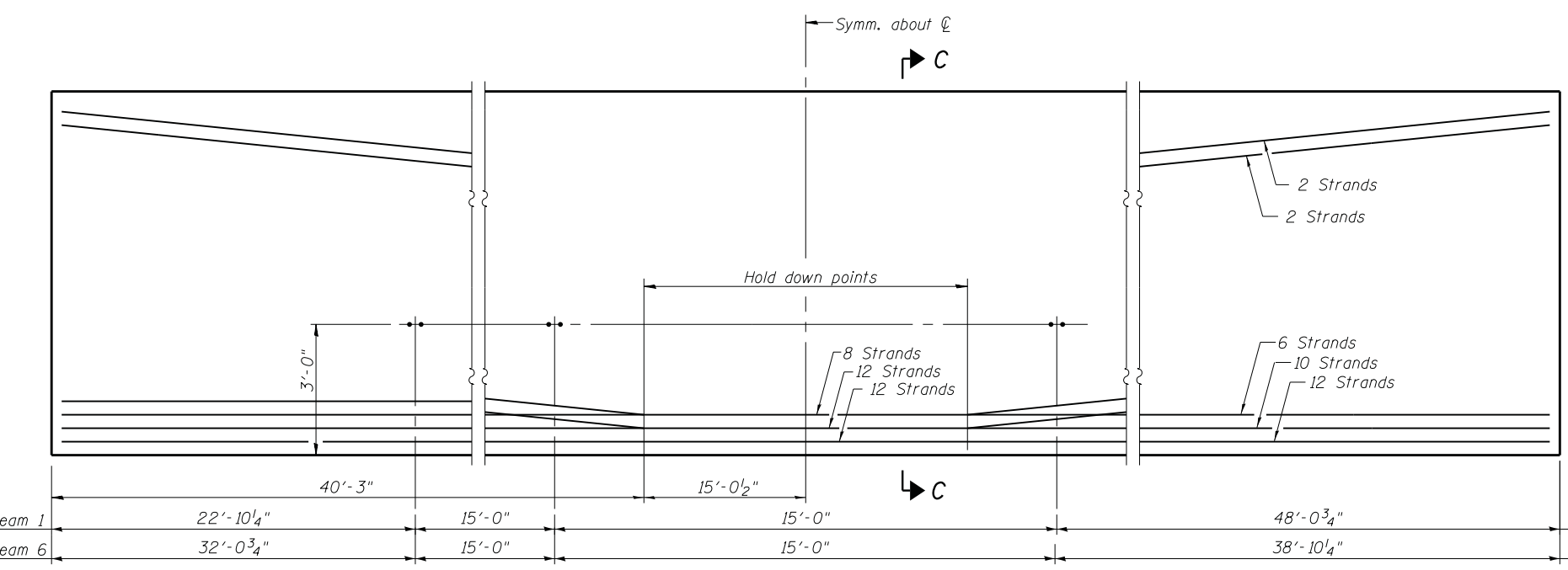


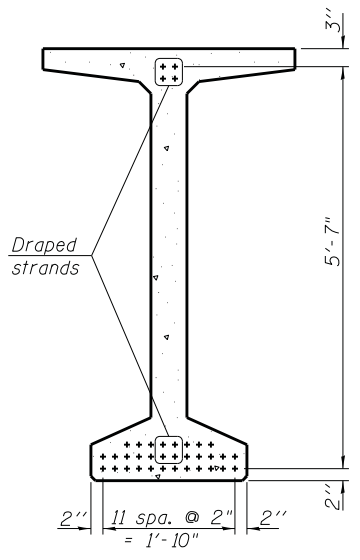
* 4 spaces at 3/4" = 1'-1".
 ** 5-3/4" φ threaded dowel rods at 3/4" cts., each face.

ELEVATION OF BEAM
 (Showing reinforcement & dimensions)

Note A:
 Hex nuts (top and bottom) with lock washers (top). Only tighten sufficiently to compress lock washers.



ELEVATION OF BEAM
 (Showing prestressing steel)



SECTION C-C

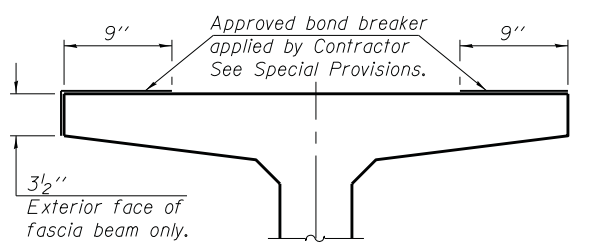
*****BAR LIST ONE BEAM ONLY**

Bar	No.	Size	Length	Shape
G ₁	69	#4	13'-7"	∩L
G ₂	20	#4	11'-8"	∩
G ₃	24	#6	27'-3"	—
G ₄	56	#3	4'-11"	∩
G ₅	135	#5	3'-4"	—

***For information only

NOTES

- See sheet S19 of S25 for additional details and Bill of Material.
- Required release strength, f'_{ci} , shall be 5,000 psi.
- Apply approved bond breaker as shown in Section thru Top Flange full length of beam. See Special Provisions.



SECTION THRU TOP FLANGE
 (Showing limits of bond breaker)