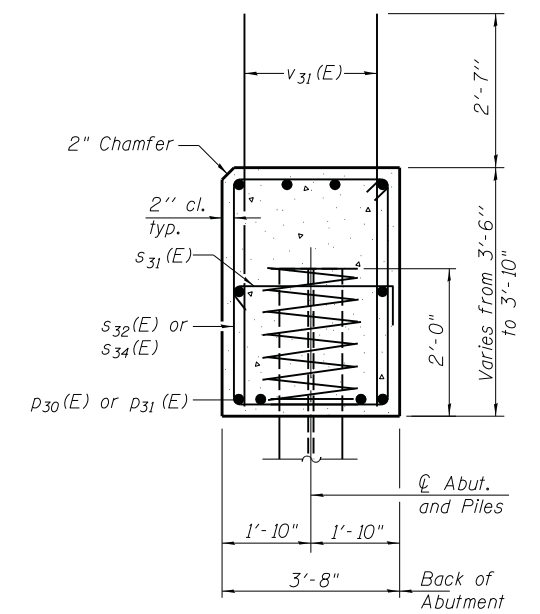
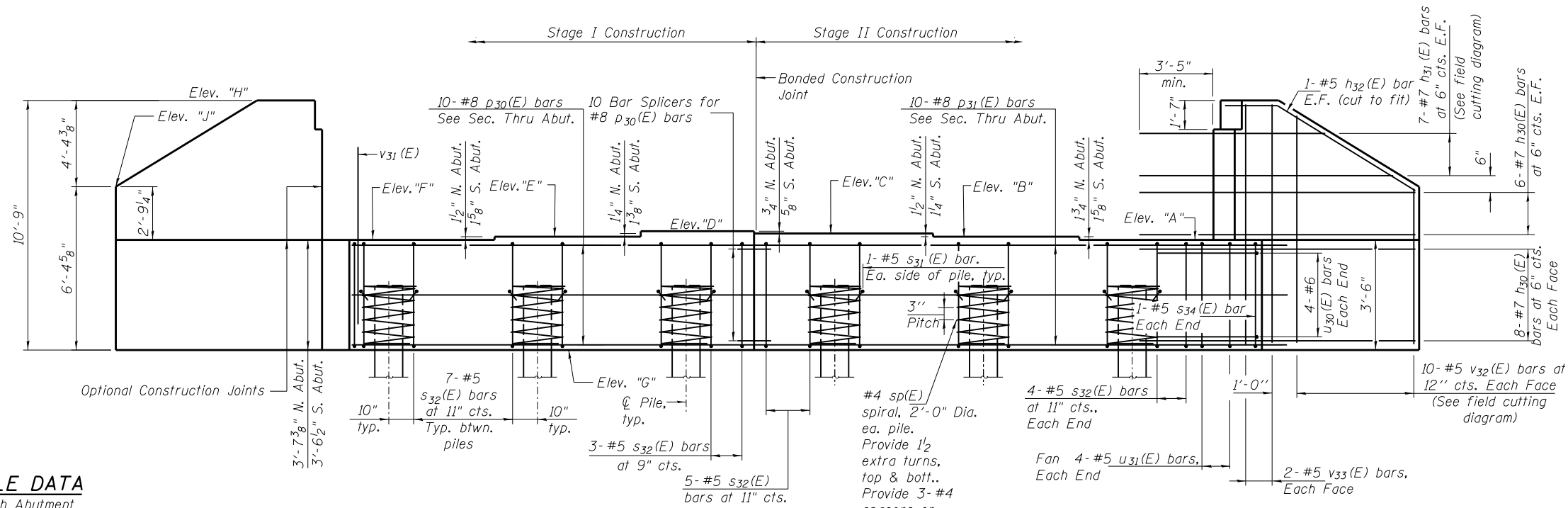


Notes:  
Pour steps monolithically with cap.

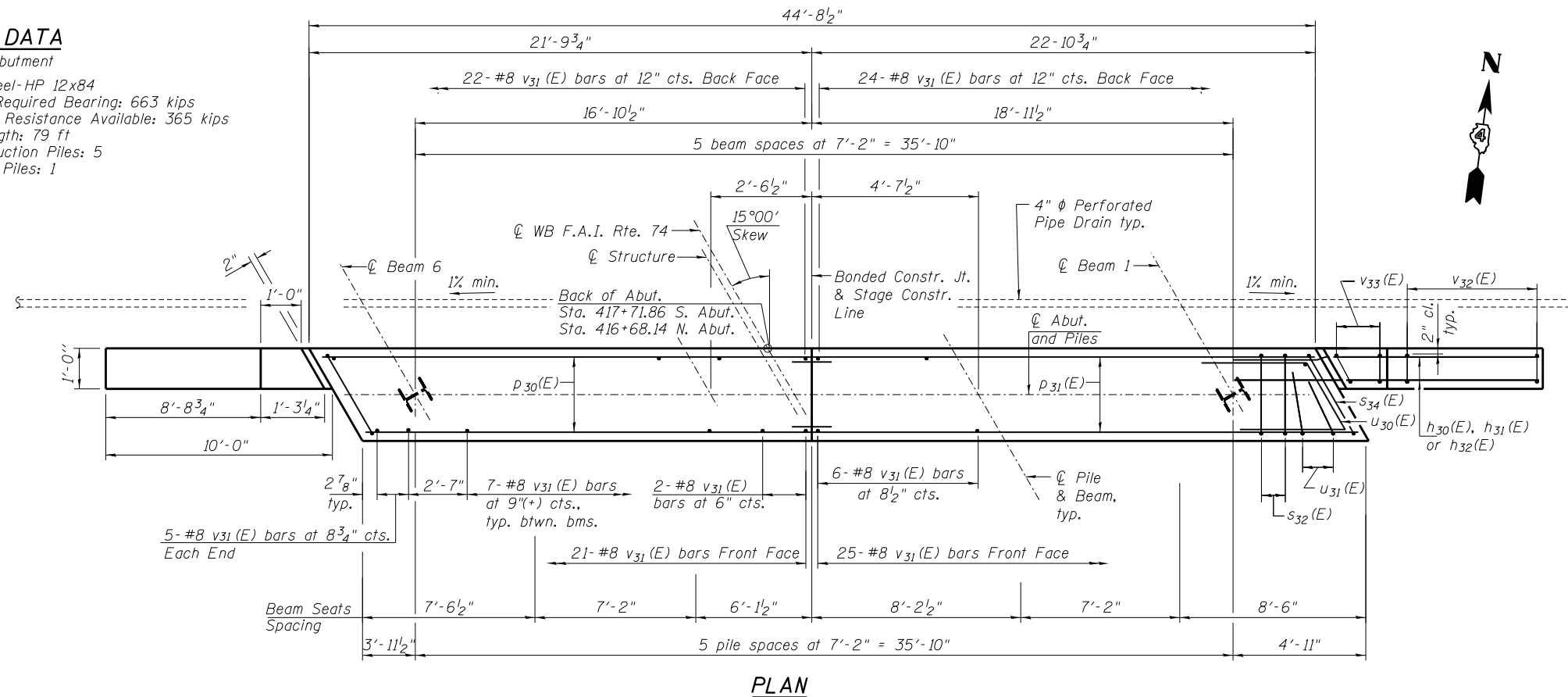


**PILE DATA**

North Abutment  
Type: Steel-HP 12x84  
Nominal Required Bearing: 658 kips  
Factored Resistance Available: 362 kips  
Est. Length: 71 ft  
No. Production Piles: 5  
No. Test Piles: 1

**PILE DATA**

South Abutment  
Type: Steel-HP 12x84  
Nominal Required Bearing: 663 kips  
Factored Resistance Available: 365 kips  
Est. Length: 79 ft  
No. Production Piles: 5  
No. Test Piles: 1



	N. Abut.	S. Abut.
Elev. "A"	748.30	748.39
Elev. "B"	748.45	748.53
Elev. "C"	748.57	748.63
Elev. "D"	748.63	748.68
Elev. "E"	748.53	748.57
Elev. "F"	748.41	748.43
Elev. "G"	744.80	744.89
Elev. "H"	755.55	755.64
Elev. "J"	751.19	751.28

**NOTES:**

- For Section thru Abutment, drainage details, Bar Bending Diagrams and Bill of Materials see sheet S21 of S25.
- Backfill shall be placed behind the abutment after the superstructure has been poured and falsework removed. See Article 502.10 of the Standard Specifications.
- For Bar Splicer (E) details see sheet S24 of S25.
- For details of piles see sheet S22 of S25.