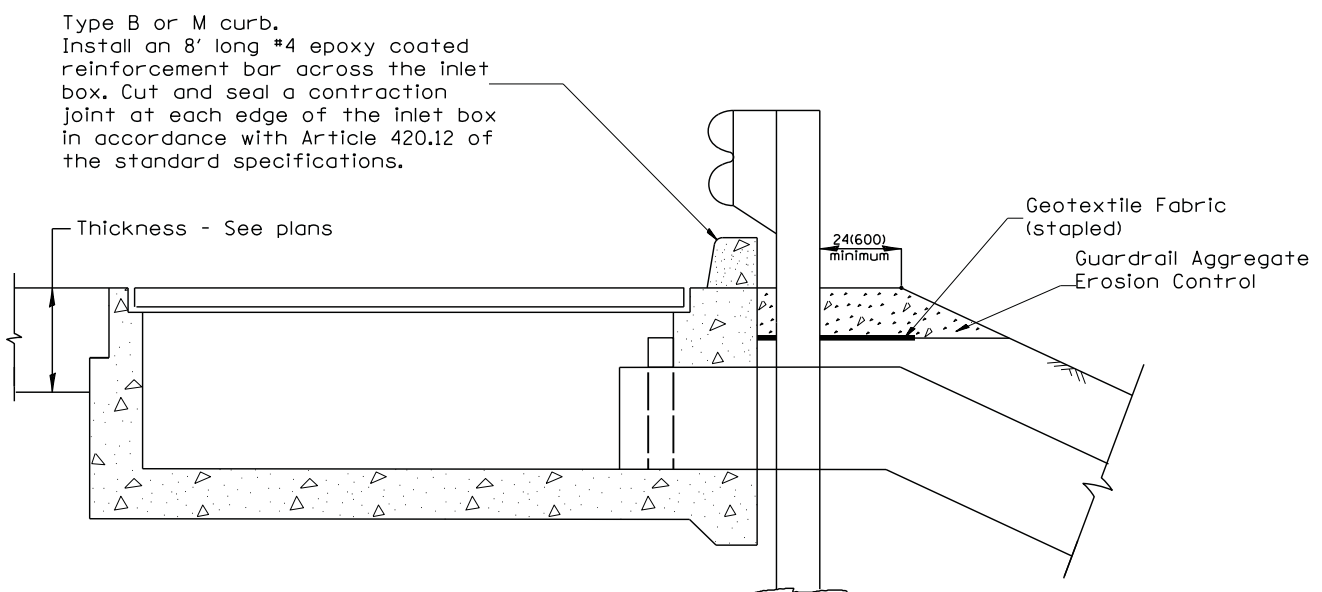
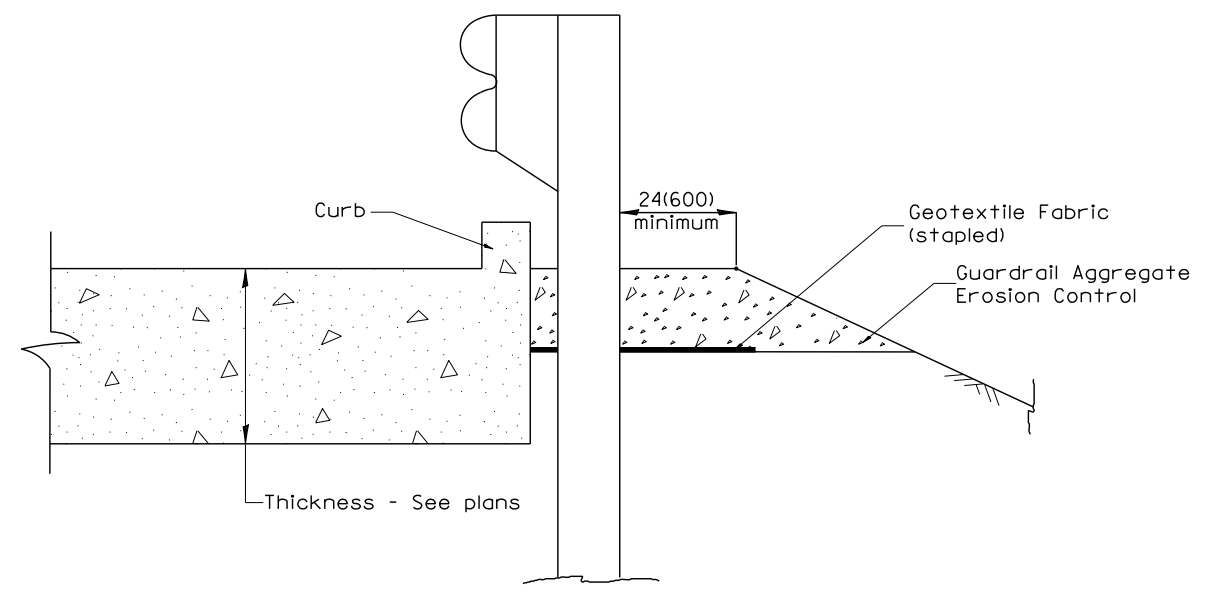


PLAN VIEW
APPROACH SLAB OR BRIDGE APPROACH SHOULDER
 (STANDARD 609001 or 609006)



TYPICAL SECTION AT INLETS
TYPE E & F (STANDARD 610001)



SECTION A-A
TYPICAL SECTION WITH BRIDGE APPROACH CURB

All dimensions are in inches (millimeters) unless otherwise noted.

STATE OF ILLINOIS DEPARTMENT OF TRANSPORTATION				GUARDRAIL EROSION CONTROL TREATMENTS				F.A.I. RTE.		SECTION	COUNTY	TOTAL SHEETS	SHEET NO.
								74	48-[25B/BR, BR-1]	KNOX	131	77	
				NOT TO SCALE				SHT. 2 OF 2 CADD STD. 630101-D4		CONTRACT NO. 68B85			
								FED. ROAD DIST. NO.		ILLINOIS FED. AID PROJECT			