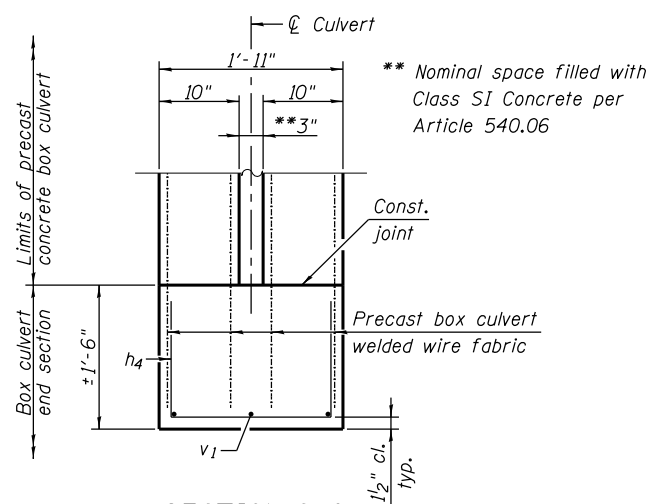
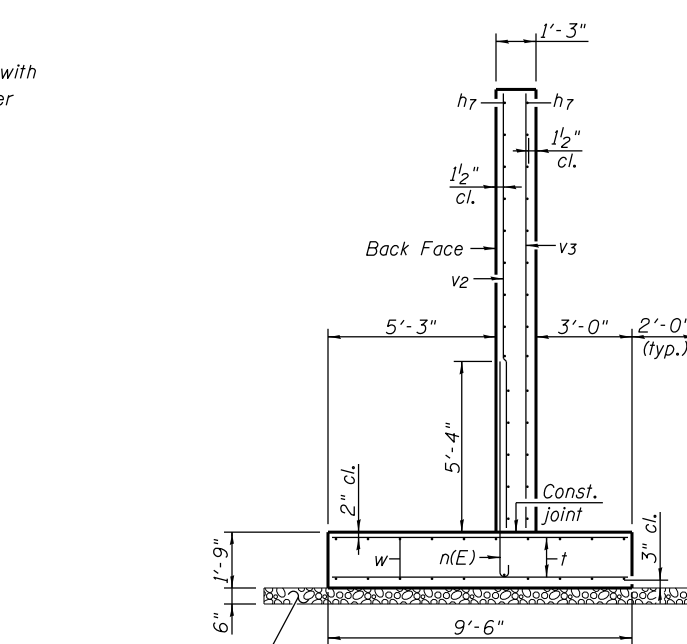


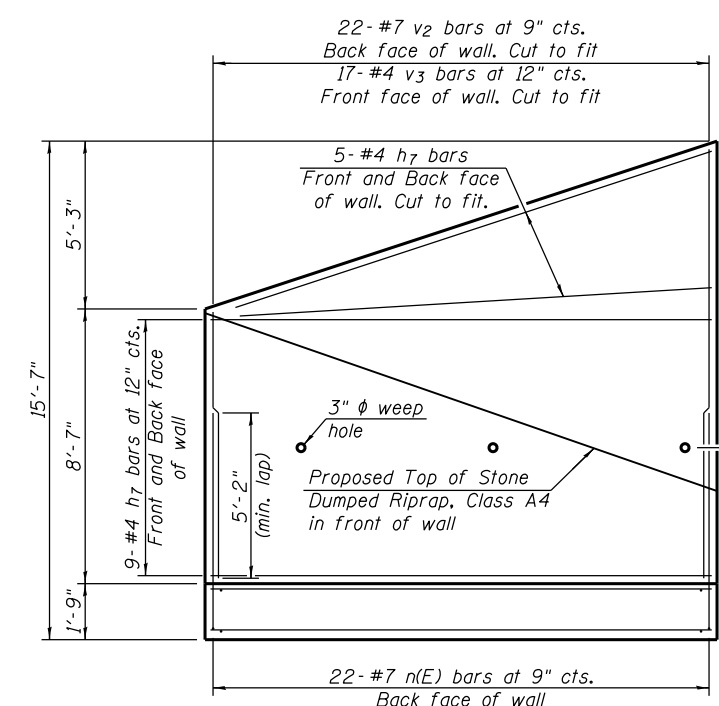
SECTION A-A
(Downstream End)



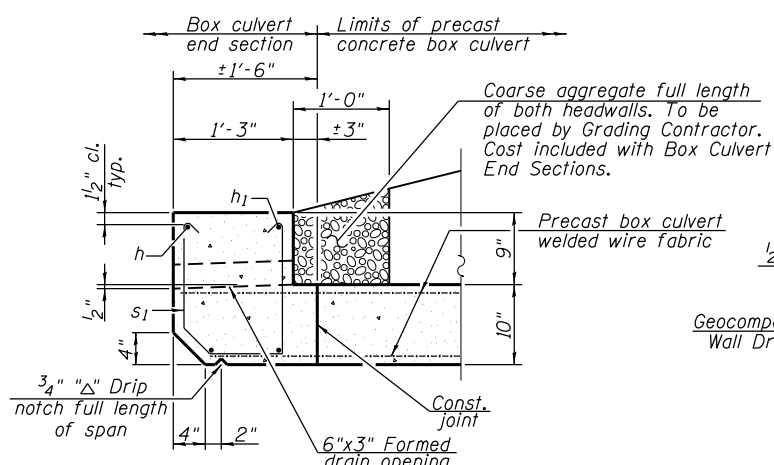
SECTION C-C



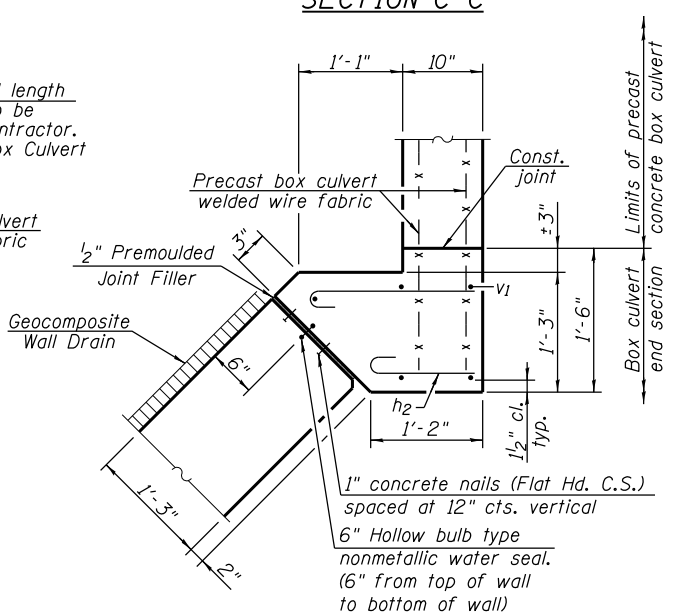
WINGWALL CROSS SECTION



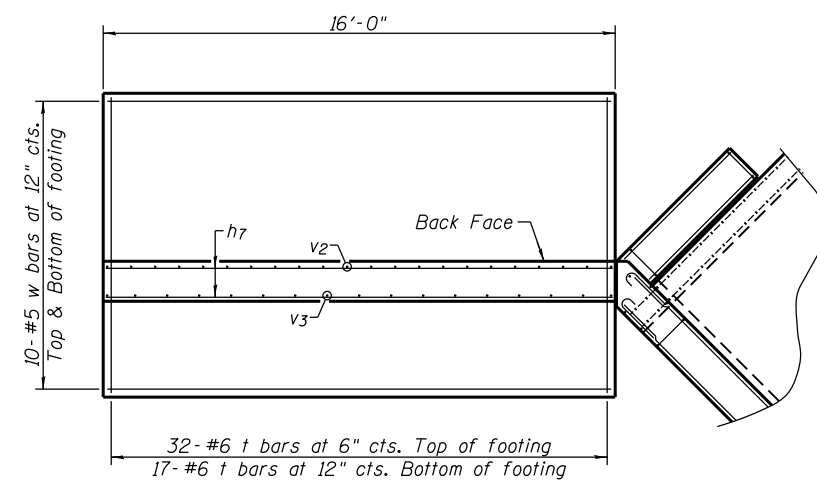
WINGWALL ELEVATION



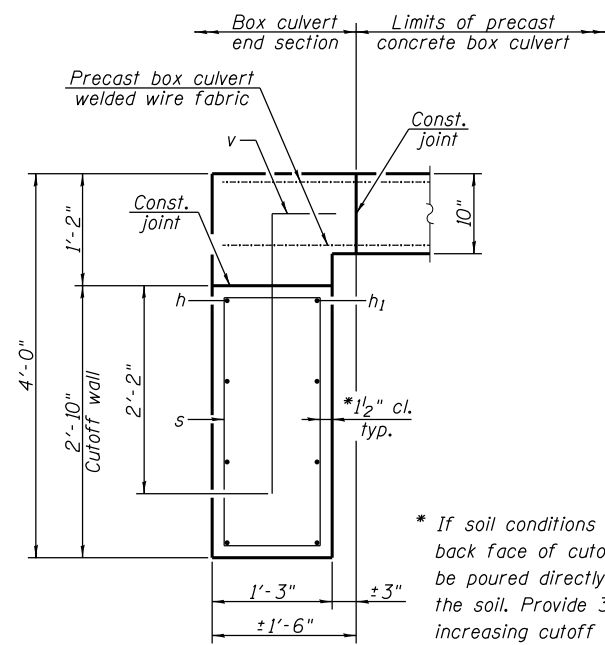
SECTION A-A
(Upstream End)



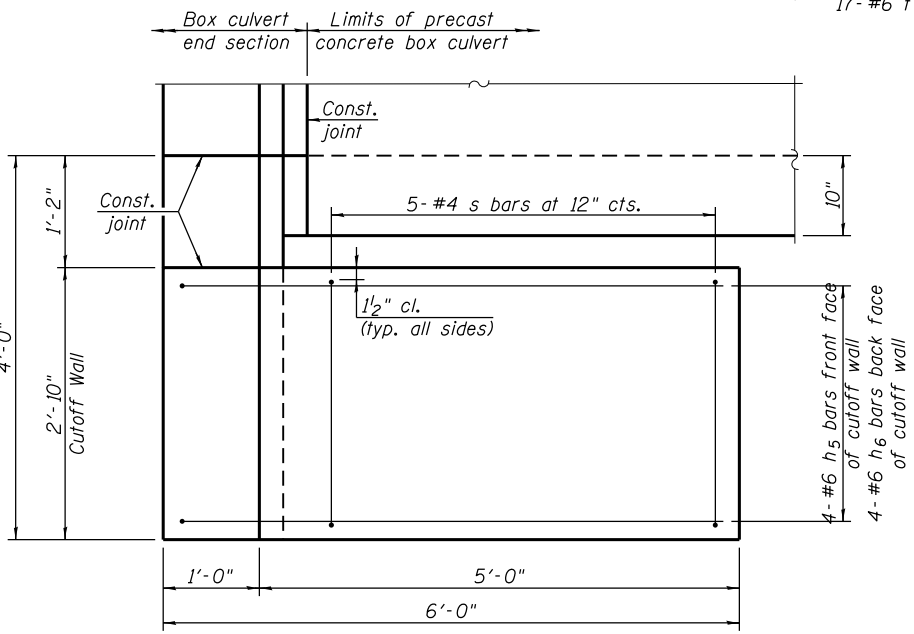
SECTION D-D



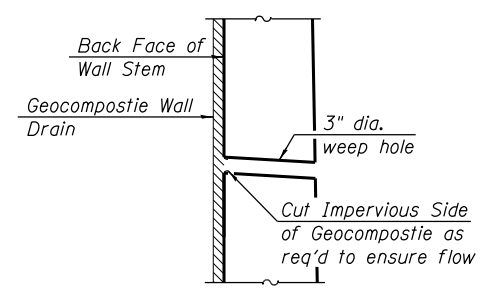
WINGWALL PLAN



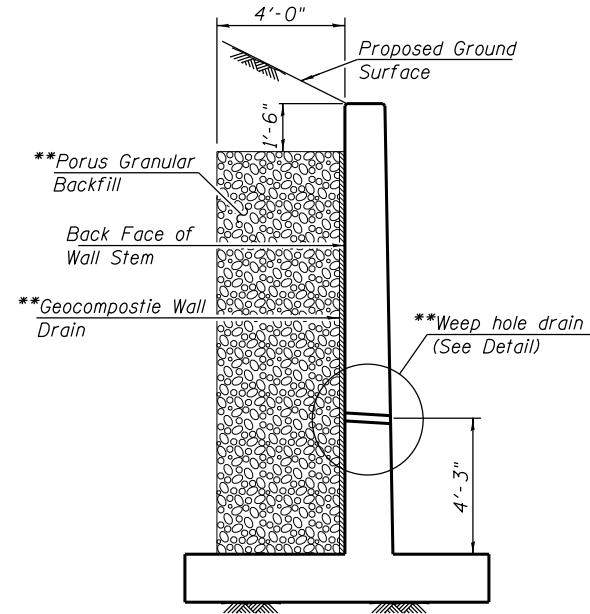
SECTION B-B



SECTION E-E




WEEP HOLE DRAIN DETAIL



DRAINAGE DETAIL

Maximum Service Bearing Pressure = 2.4 ksf

FILE NAME =	USER NAME =	DESIGNED -	REVISED -	 Allen Henderson & Associates, Inc. Civil and Structural Engineers Springfield, IL. 62703 Phone: (217)544-8033 IL Design Firm No. 184-001907	CULVERT DETAILS STRUCTURE NO. 034-2528		F.A.P. RTE.	SECTION	COUNTY	TOTAL SHEETS	SHEET NO.
PLOT SCALE =	DRAWN -	REVISED -	REVISED -				685	(115)B-2	HANCOCK	28	17
PLOT DATE	CHECKED -	REVISED -	REVISED -		SHEET NO. 3 OF 6 SHEETS		CONTRACT NO. 72F07		ILLINOIS FED. AID PROJECT		