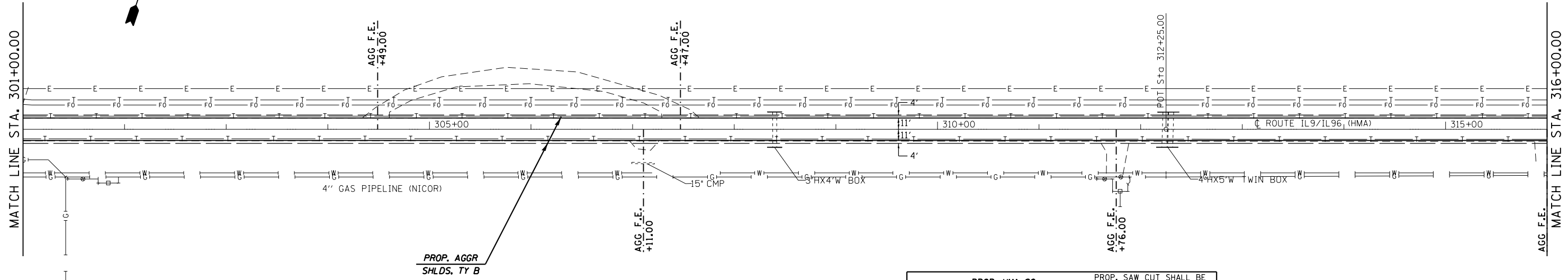
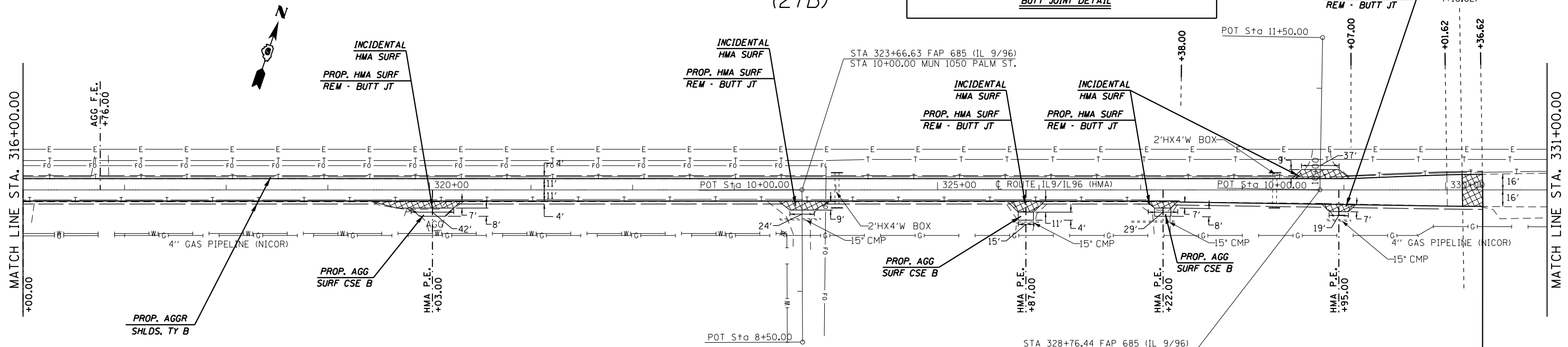
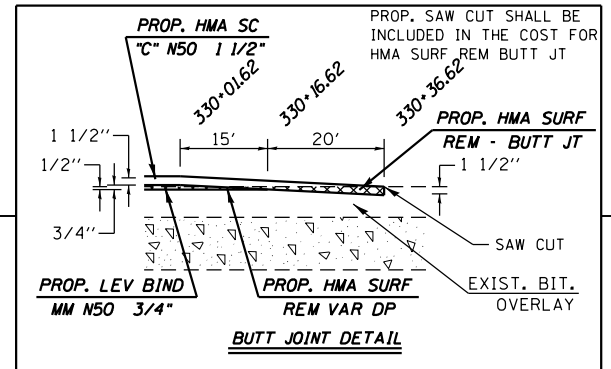


(27B)



(27B)



LIMITS OF PAVING IMPROVEMENT
 AT STA. 330+36.62
 PROP. BUTT JOINT

FILE NAME =	USER NAME = sparksgw	DESIGNED - JWC	REVISED -	STATE OF ILLINOIS DEPARTMENT OF TRANSPORTATION	PLAN SHEETS - IL 91L 96			F.A.P. R.T.E.	SECTION	COUNTY	TOTAL SHEETS	SHEET NO.		
Default	ei:\pwork\pwork\sparksgw\10296720\0672f32-sht-plan_rural.dgn	DRAWN - JWC	REVISED -		SCALE: 50	SHEET 16	OF 18	SHEETS	STA. 301+00.00	TO STA. 331+00.00	ILLINOIS	FED. AID PROJECT	95	45
	PLOT SCALE = 100.0000' / in.	CHECKED - JWC	REVISED -								HANCOCK			
	PLOT DATE = Jun-06-2014 10:35:41AM	DATE -	REVISED -								CONTRACT NO. 72F32			