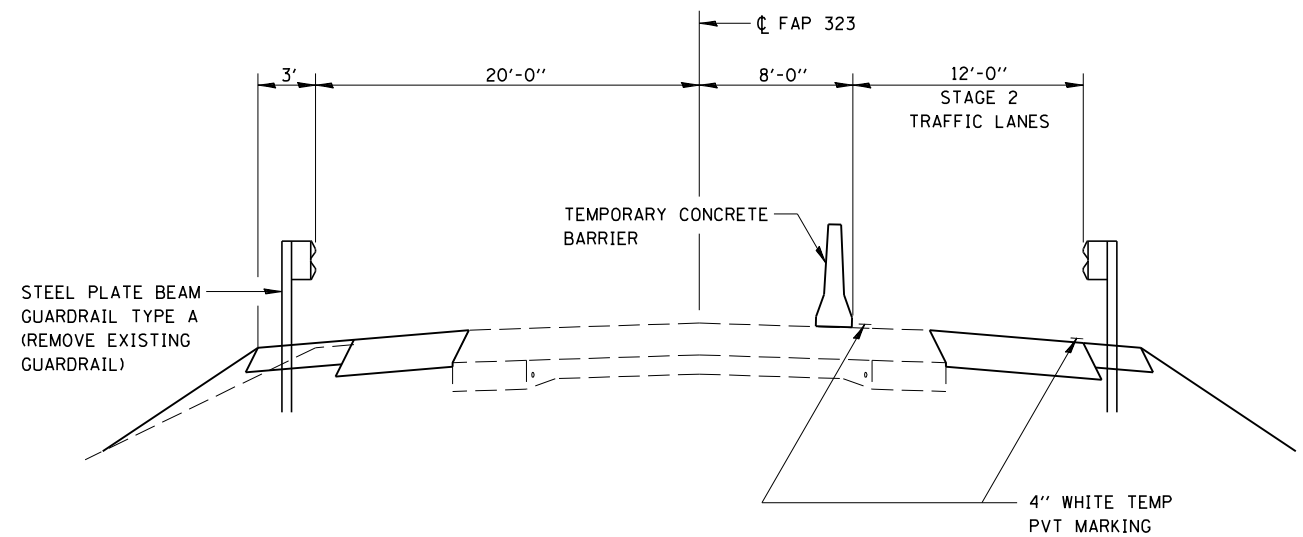
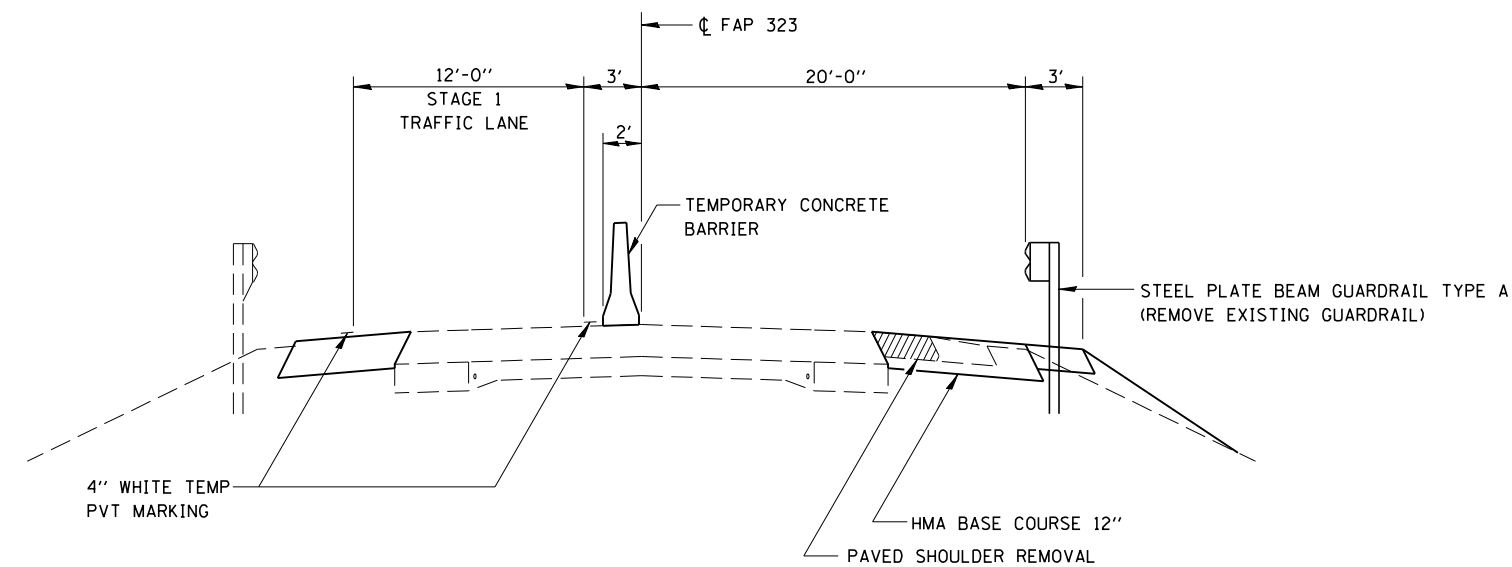


SECTION A-A
PRELIMINARY PHASE



SECTION A-A
STAGE 2



SECTION A-A
STAGE 1