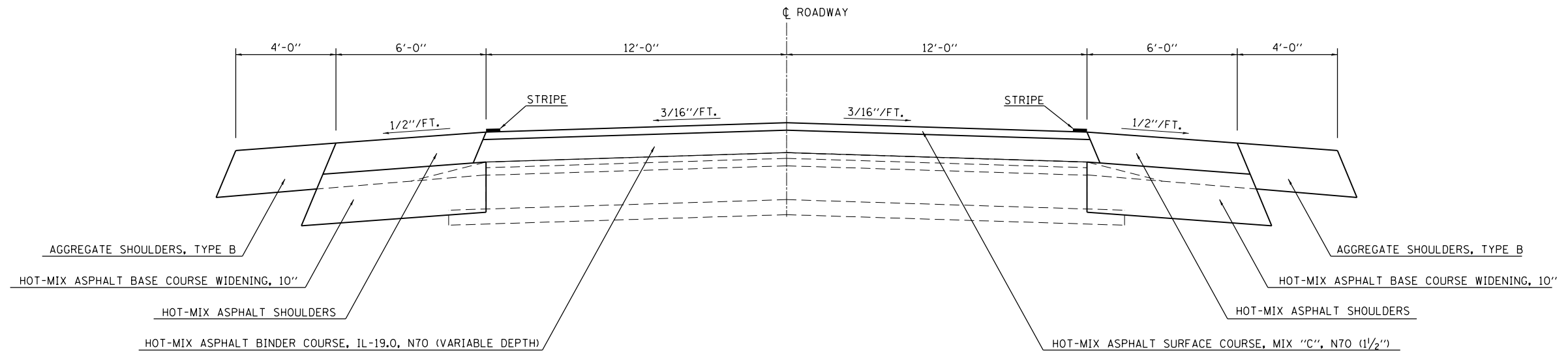


PROPOSED TYPICAL CROSS SECTION

STATION 230+80 TO STATION 232+23



PROPOSED TYPICAL CROSS SECTION

STATION 239+42.5 TO STATION 240+90

FILE NAME =	USER NAME = steffenmk	DESIGNED -	REVISED -	STATE OF ILLINOIS DEPARTMENT OF TRANSPORTATION	TYPICAL SECTIONS			F.A.P. RTE.	SECTION	COUNTY	TOTAL SHEETS	SHEET NO.	
ci:\pw\work\p\dot\steffenmk\d0234885\074357-sht-typc01s.dgn		DRAWN -	REVISED -		SCALE:	SHEET 2 OF 3 SHEETS	STA.	TO STA.	T62	(2BR)BR-1	Moultrie	48	7
Default	PLOT SCALE = 100.0000' / in.	CHECKED -	REVISED -					CONTRACT NO. 74357					
	PLOT DATE = 8/15/2014	DATE -	REVISED -					ILLINOIS FED. AID PROJECT					