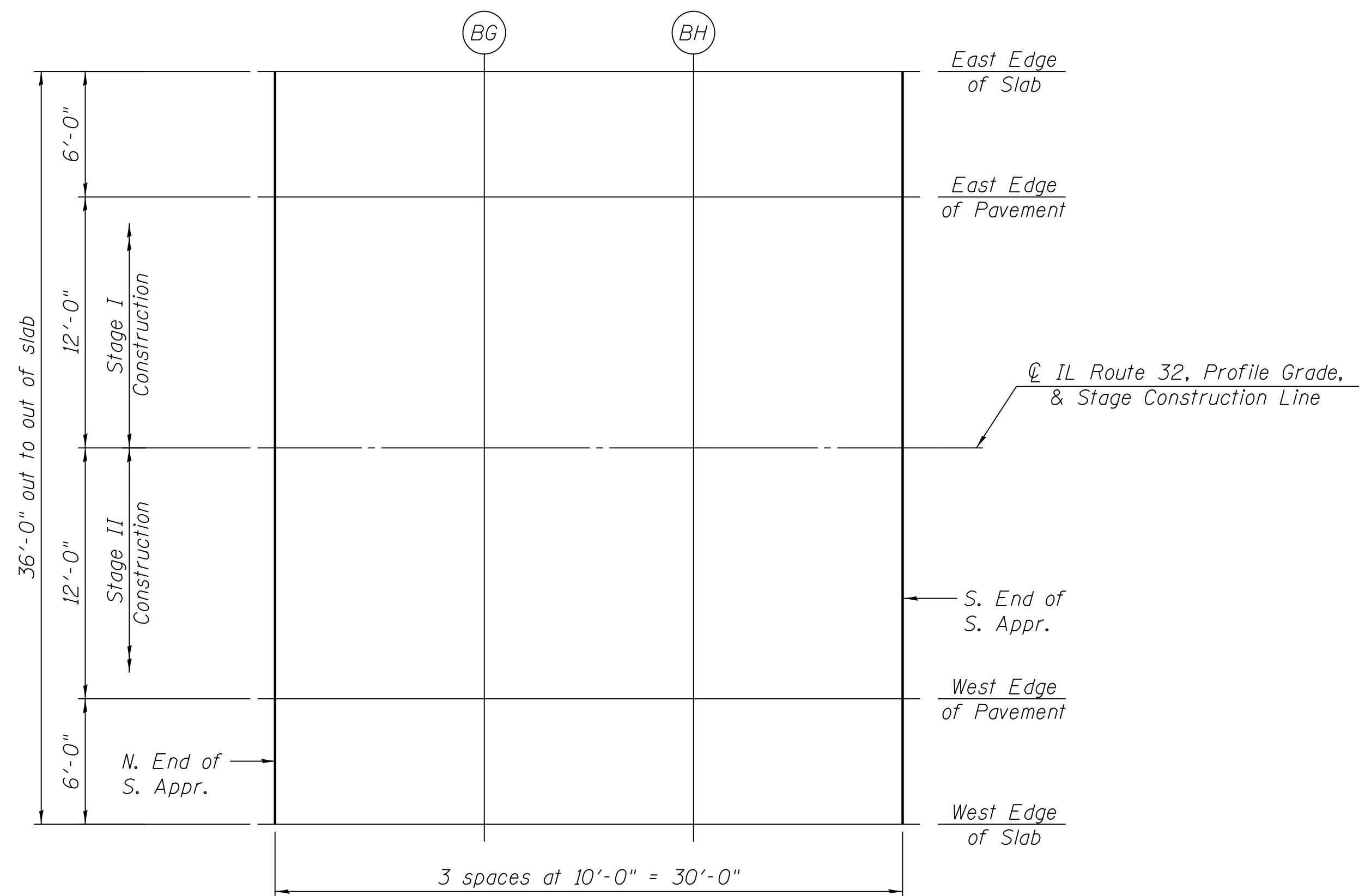


**PLAN NORTH APPROACH**



**PLAN SOUTH APPROACH**

**EAST EDGE OF SLAB**

Location	Station	Offset	Theoretical Grade Elevations
N. End of N. Appr.	232+29.00	-18.00	634.83
BE	232+39.00	-18.00	634.79
BF	232+49.00	-18.00	634.76
S. End of N. Appr.	232+59.00	-18.00	634.73
N. End of S. Appr.	239+06.50	-18.00	632.69
BG	239+16.50	-18.00	632.66
BH	239+26.50	-18.00	632.63
S. End of S. Appr.	239+36.50	-18.00	632.60

**EAST EDGE OF PAVEMENT**

Location	Station	Offset	Theoretical Grade Elevations
N. End of N. Appr.	232+29.00	-12.00	634.95
BE	232+39.00	-12.00	634.92
BF	232+49.00	-12.00	634.89
S. End of N. Appr.	232+59.00	-12.00	634.86
N. End of S. Appr.	239+06.50	-12.00	632.82
BG	239+16.50	-12.00	632.78
BH	239+26.50	-12.00	632.75
S. End of S. Appr.	239+36.50	-12.00	632.72

**IL ROUTE 32, PROFILE GRADE, & STAGE CONSTRUCTION LINE**

Location	Station	Offset	Theoretical Grade Elevations
N. End of N. Appr.	232+29.00	0.00	635.14
BE	232+39.00	0.00	635.11
BF	232+49.00	0.00	635.08
S. End of N. Appr.	232+59.00	0.00	635.04
N. End of S. Appr.	239+06.50	0.00	633.00
BG	239+16.50	0.00	632.97
BH	239+26.50	0.00	632.94
S. End of S. Appr.	239+36.50	0.00	632.91

**WEST EDGE OF PAVEMENT**

Location	Station	Offset	Theoretical Grade Elevations
N. End of N. Appr.	232+29.00	12.00	634.95
BE	232+39.00	12.00	634.92
BF	232+49.00	12.00	634.89
S. End of N. Appr.	232+59.00	12.00	634.86
N. End of S. Appr.	239+06.50	12.00	632.82
BG	239+16.50	12.00	632.78
BH	239+26.50	12.00	632.75
S. End of S. Appr.	239+36.50	12.00	632.72

**WEST EDGE OF SLAB**

Location	Station	Offset	Theoretical Grade Elevations
N. End of N. Appr.	232+29.00	18.00	634.83
BE	232+39.00	18.00	634.79
BF	232+49.00	18.00	634.76
S. End of N. Appr.	232+59.00	18.00	634.73
N. End of S. Appr.	239+06.50	18.00	632.69
BG	239+16.50	18.00	632.66
BH	239+26.50	18.00	632.63
S. End of S. Appr.	239+36.50	18.00	632.60

FILE NAME = \\N1736\active\173630009\_1.DOT\_IL32.cover\_LakeShelby\11a\structural\drawing\0700015\_74357\_010\_Approach Elev.dgn



USER NAME = jerojas	DESIGNED - JSR	REVISED -
	CHECKED - BHS	REVISED -
PLOT SCALE = N/A	DRAWN - MJB	REVISED -
PLOT DATE = 9/16/2014	CHECKED - BPS	REVISED -

**STATE OF ILLINOIS  
DEPARTMENT OF TRANSPORTATION**

**TOP OF APPROACH SLAB ELEVATIONS  
STRUCTURE NO. 070-0015**

F.A.P. RTE.	SECTION	COUNTY	TOTAL SHEETS	SHEET NO.
762	(2BR)BR-1	MOULTRIE	48	30
CONTRACT NO. 74357				

SHEET NO. S10 OF 28 SHEETS

ILLINOIS FED. AID PROJECT