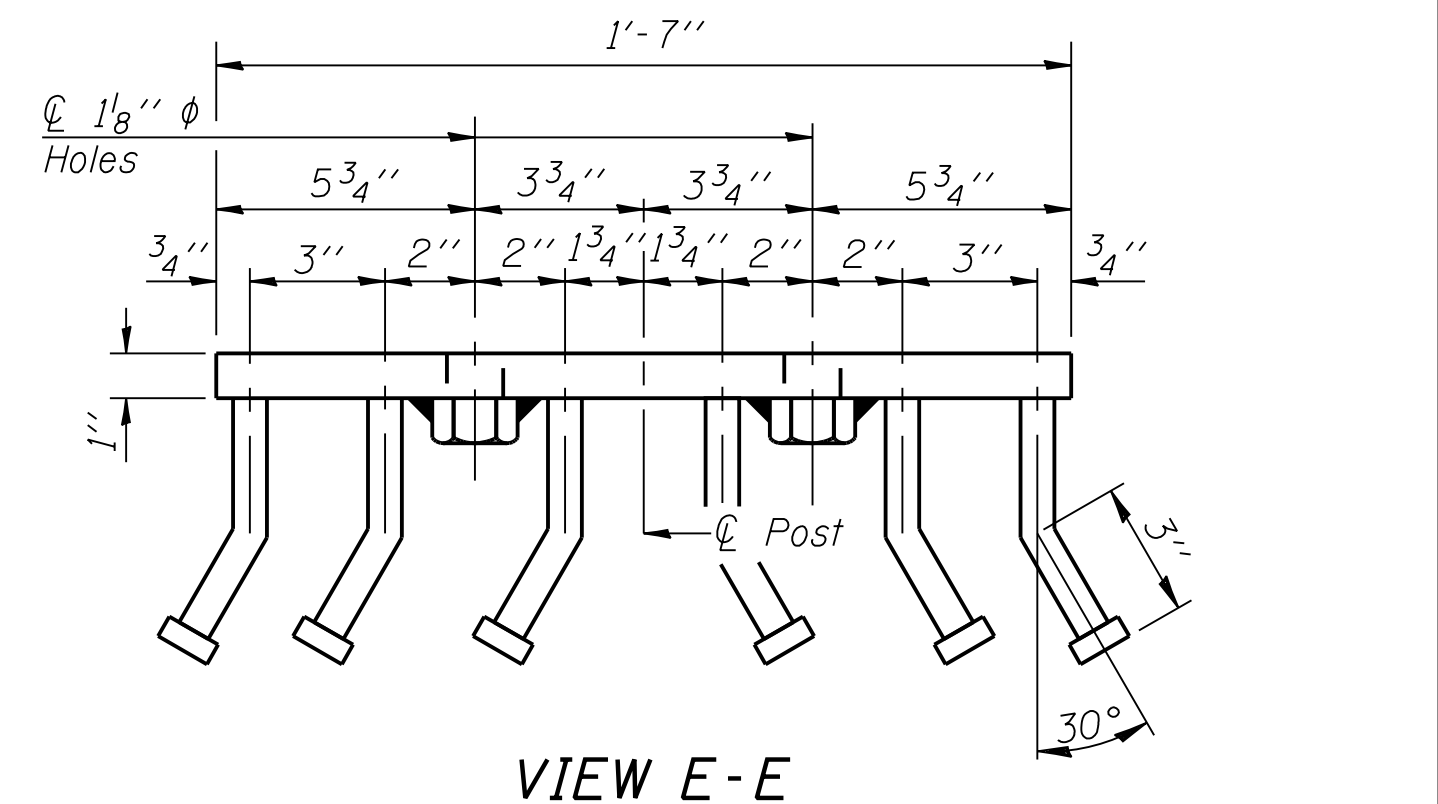
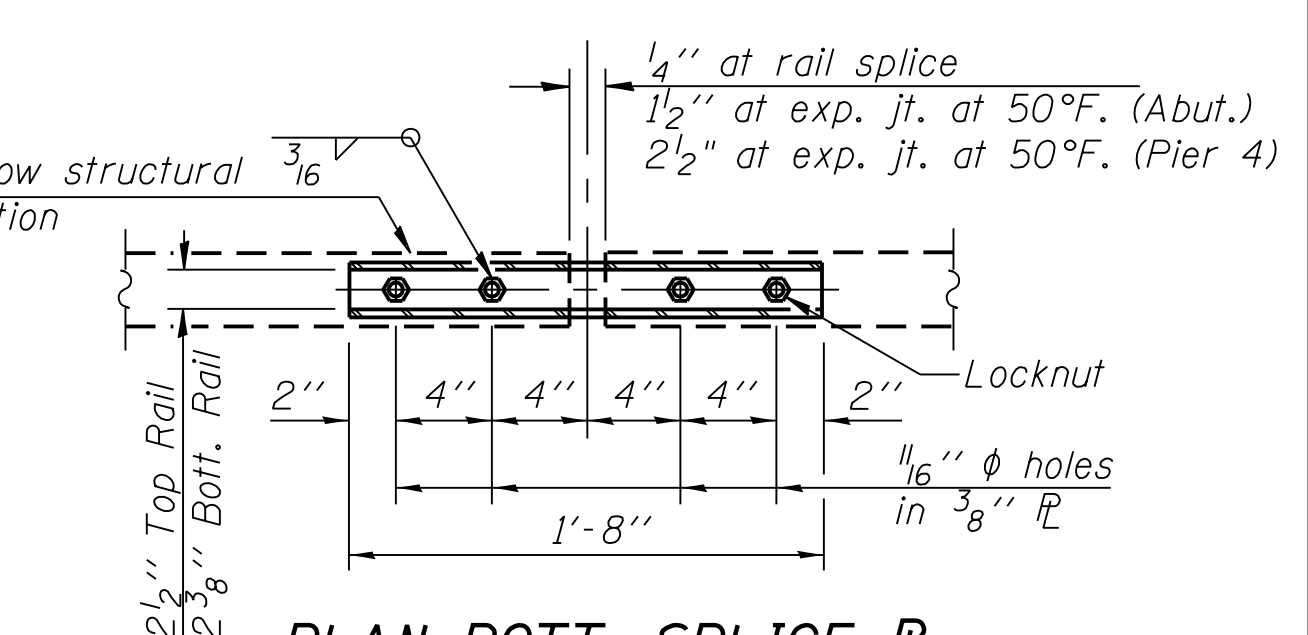
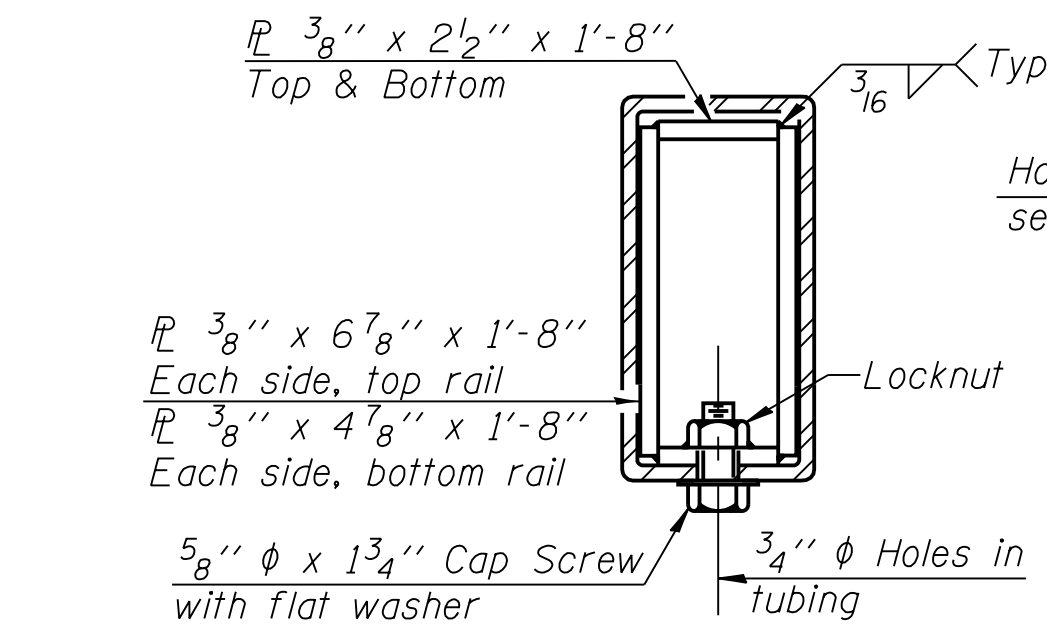
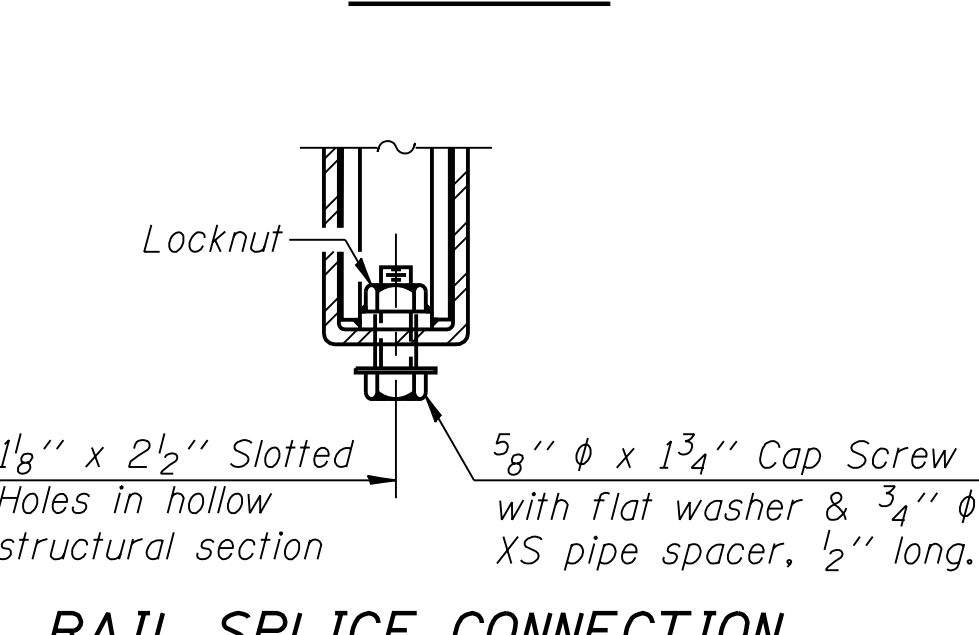
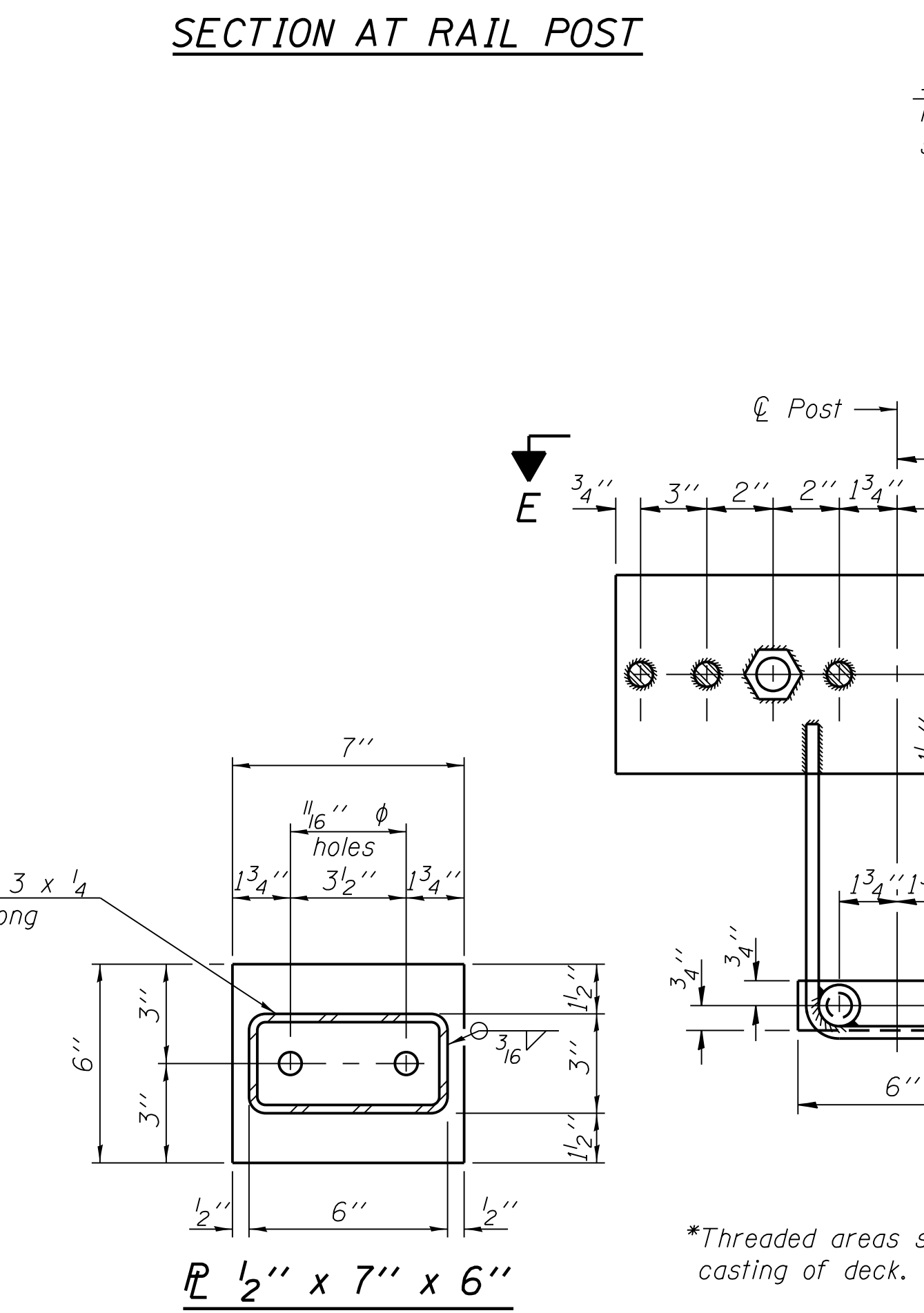
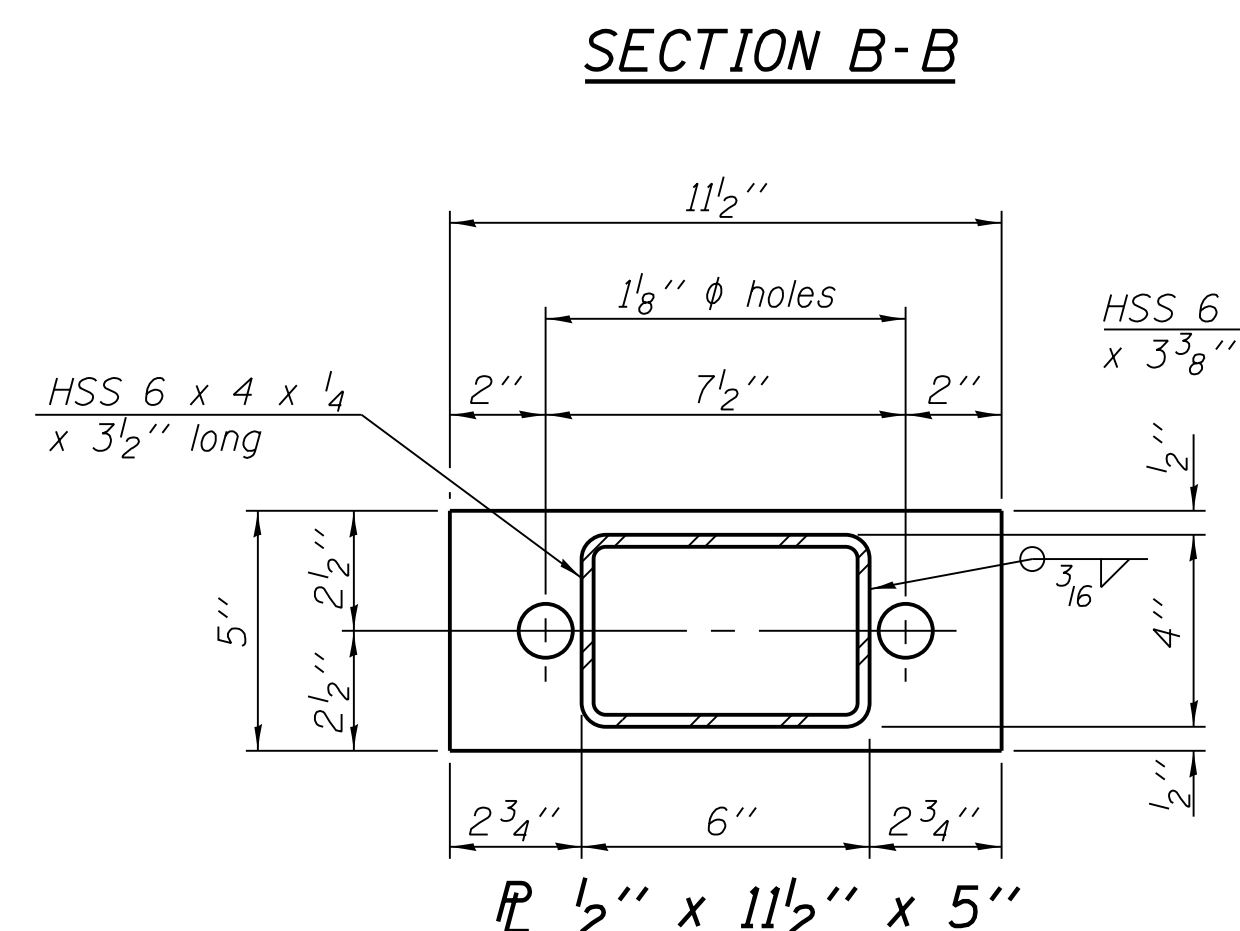
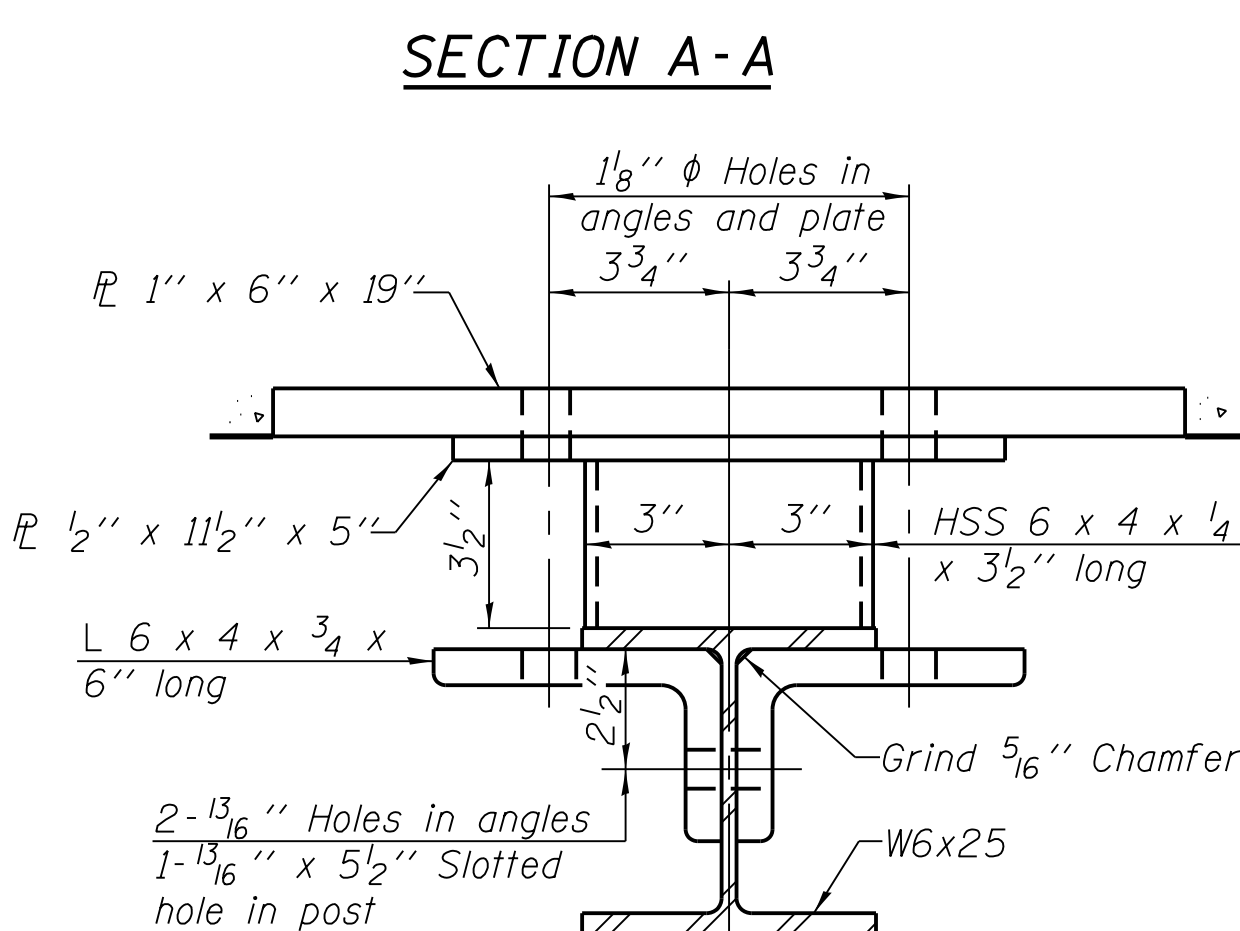
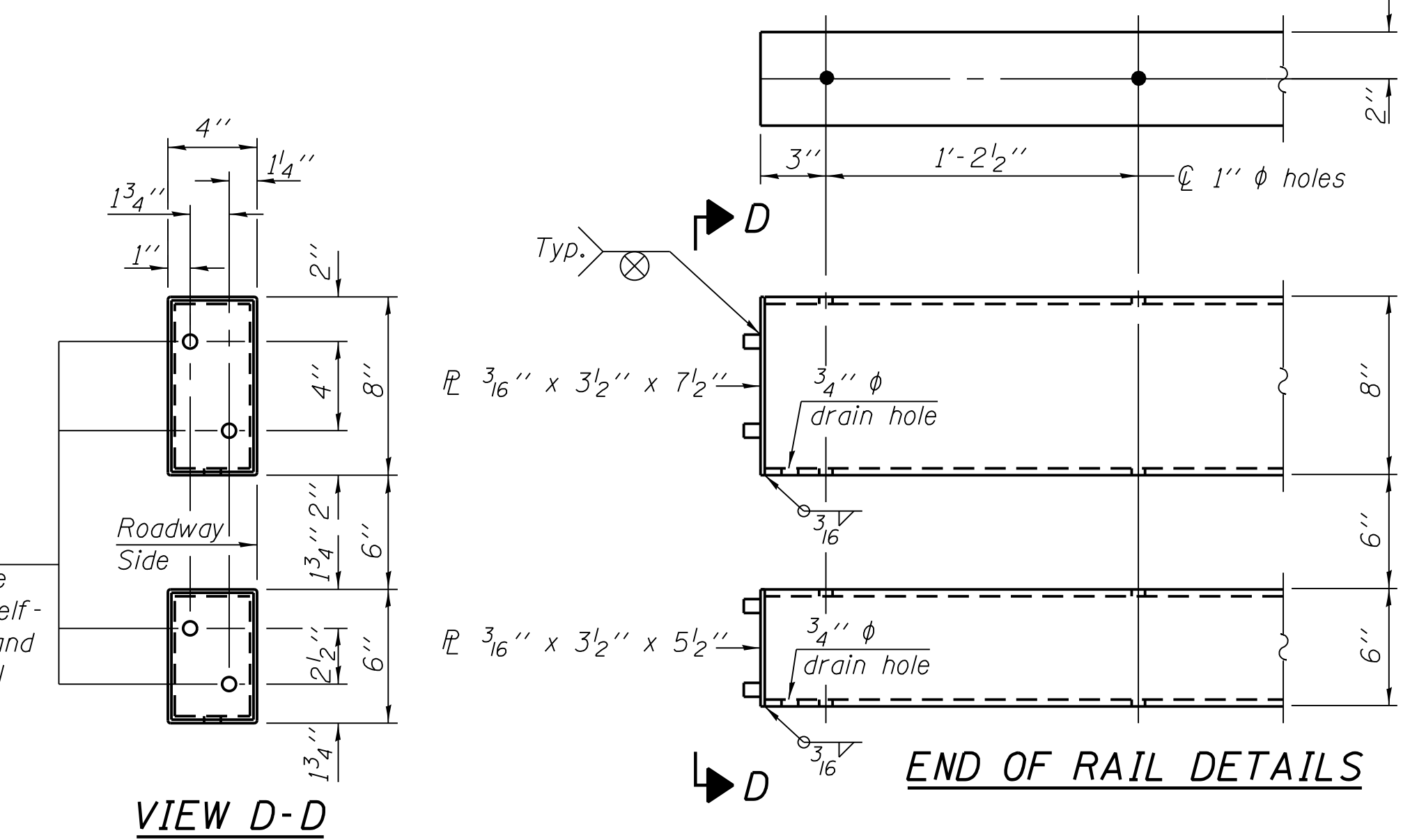
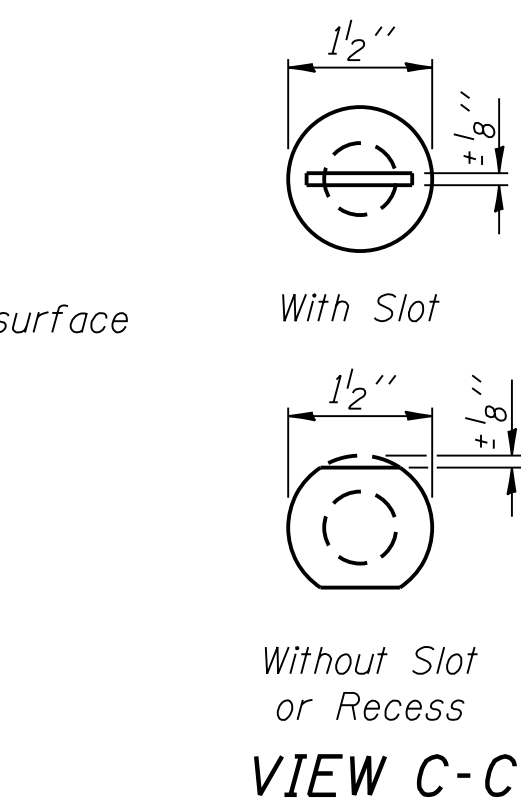
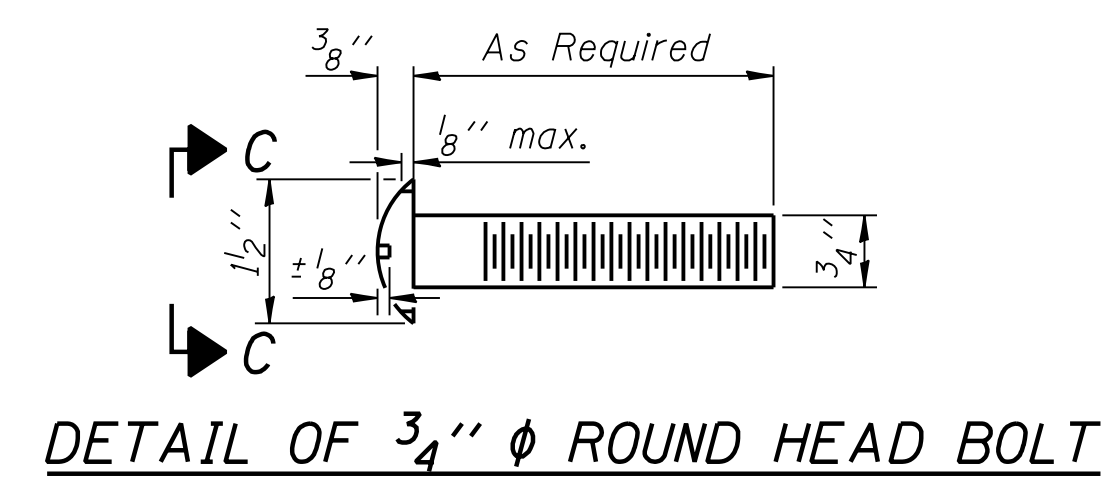
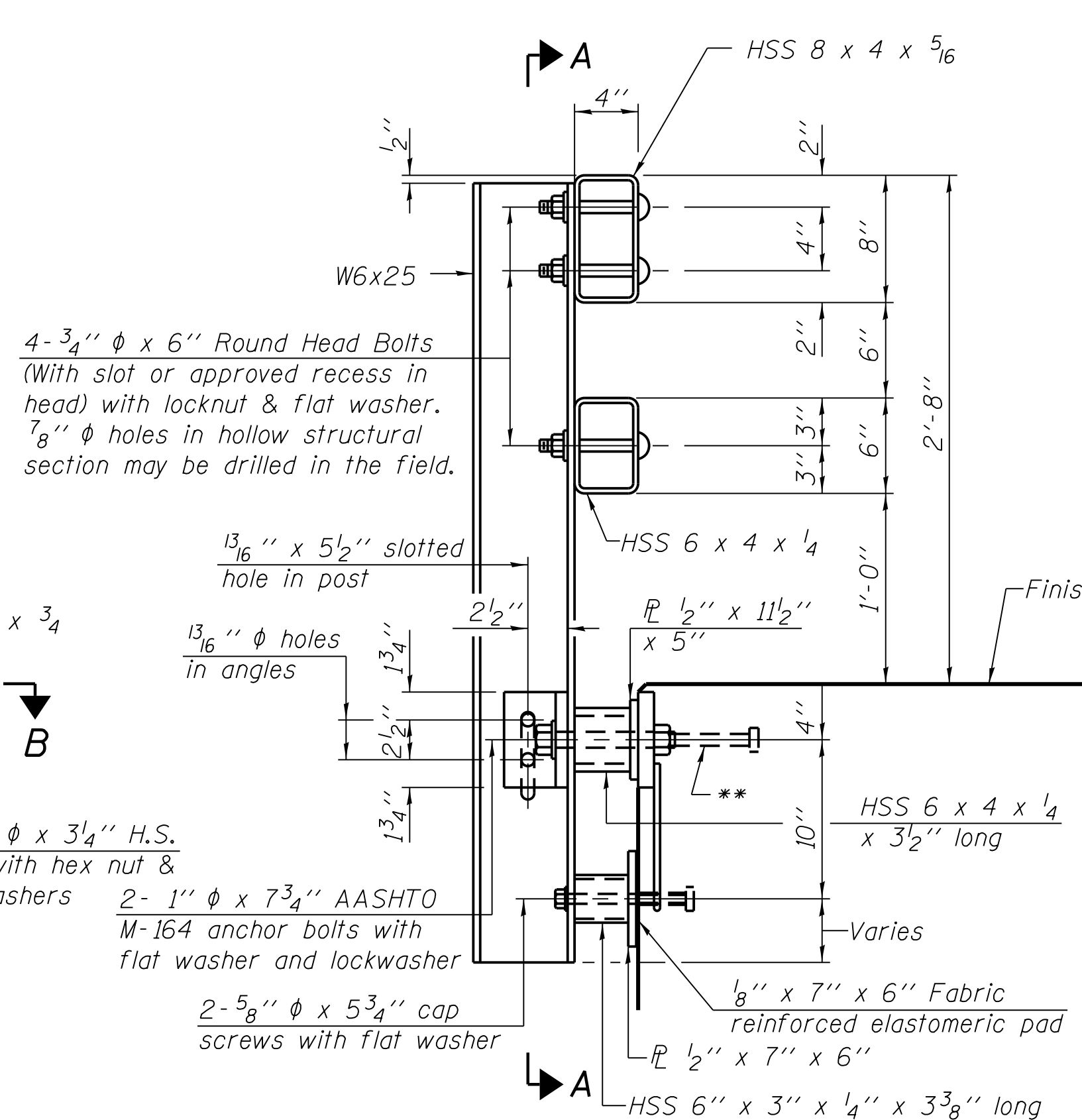
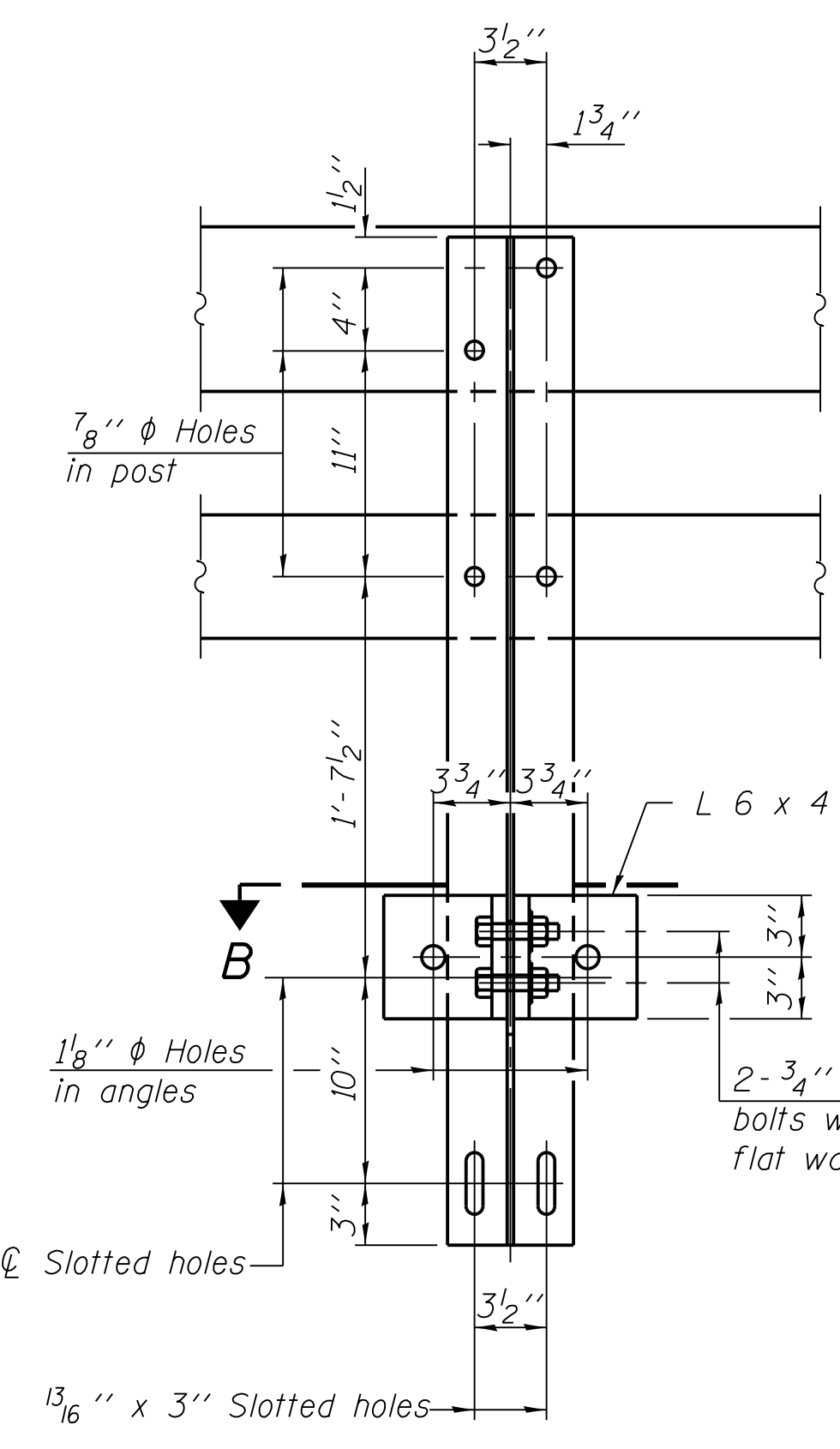


FILE NAME = \\N1736\active\173630009_1.DOT_IL_32.cover_LakeShelby\11a\structural\Ndr\enq_0700015_74357_013_Rail.dgn



Notes:
 All field drilled holes shall be coated with an approved zinc rich paint before erection.
 For multi-span bridges, sufficient 1/4" x 6" x 1'-2" galvanized steel shims shall be provided to align rail between adjacent spans. Cost included with Steel Railing, Type SM.
 Steel rail elements shall be galvanized according to Article 509.05 of the Standard Specifications.
 ** The studs of the anchor devices shall be placed below the top reinforcement bars and the outermost longitudinal reinforcement bar shall be placed directly above the studs of the rail post anchor device.

BILL OF MATERIAL

Item	Unit	Quantity
Steel Railing, Type SM	Foot	1,364



USER NAME = jerojas	DESIGNED - JSR	REVISED -
PLOT SCALE = N/A	CHECKED - BHS	REVISED -
PLOT DATE = 9/16/2014	DRAWN - MJB	REVISED -
	CHECKED - BPS	REVISED -

STATE OF ILLINOIS
DEPARTMENT OF TRANSPORTATION

STEEL RAILING, TYPE SM
STRUCTURE NO. 070-0015

F.A.P. RTE.	SECTION	COUNTY	TOTAL SHEETS	SHEET NO.
762	(2BR)BR-1	MOULTRIE	48	33
CONTRACT NO. 74357				

SHEET NO. S13 OF 28 SHEETS

ILLINOIS FED. AID PROJECT