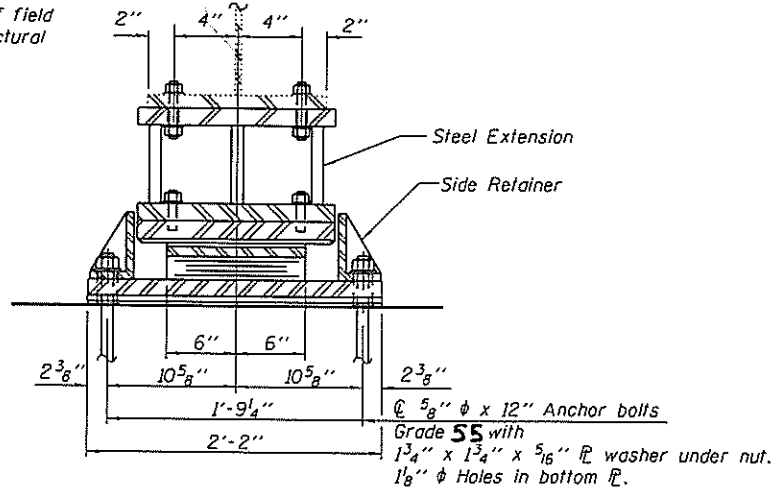


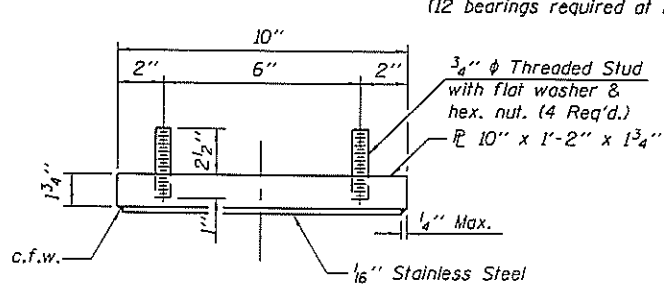
ELEVATION AT ABUT.



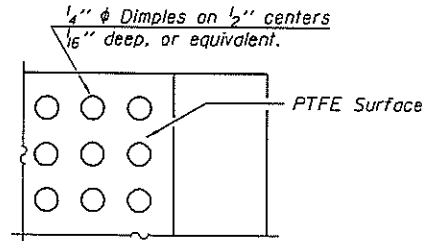
SECTION A-A

TYPE II ELASTOMERIC EXP. BRG.

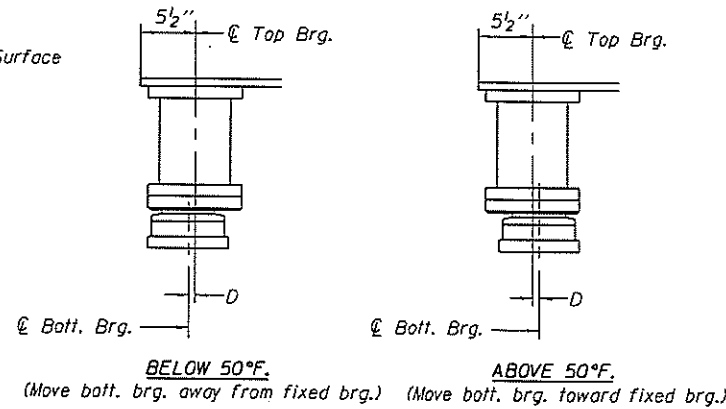
(Pier 4 same details)
 (12 bearings required at Abutments)
 (12 bearings required at Pier 4)



TOP BEARING ASSEMBLY

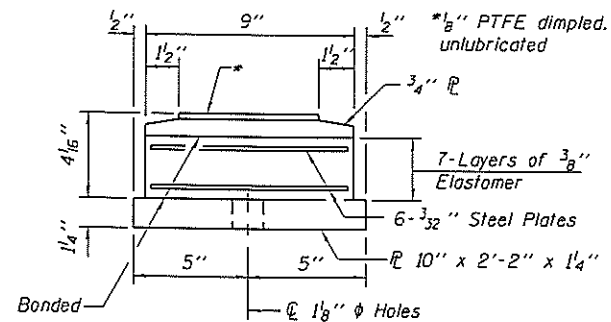


PLAN-PTFE SURFACE

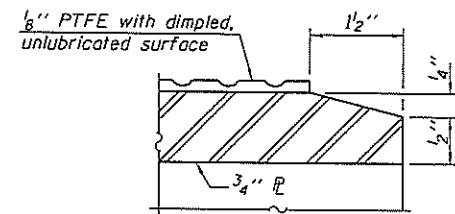


SETTING ANCHOR BOLTS AT EXP. BRG.

D=1/8" per each 100' of expansion for every 15° temp. change from the normal temp. of 50°F.



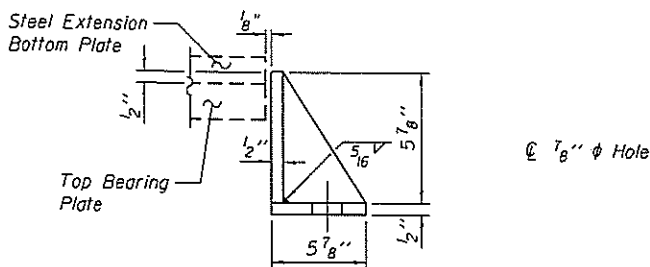
BOTTOM BEARING ASSEMBLY



SECTION THRU PTFE

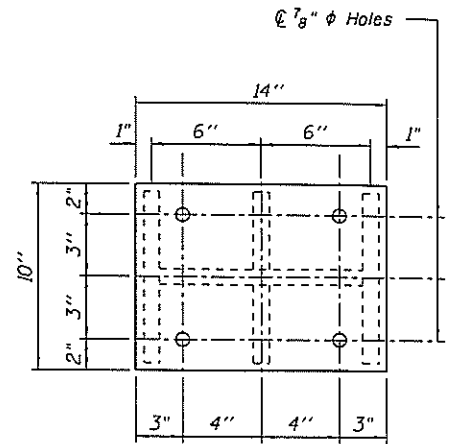
JACK AND REMOVE EXISTING BEARINGS PROCEDURE

1. The Contractor shall submit, for approval by the Engineer, plans for jacking and removing the existing bearings at the Abutments and Pier 4 prior to jacking existing bearing.
2. In each stage, jacking and removal of existing bearing shall be done after the existing deck is removed and before the new deck is poured.
3. At the bearings to be removed, the maximum dead load reaction per beam (weight of steel only) is 4.4 kips. The minimum jack capacity is 6.6 kips.
4. The new bearings and steel extensions shall be in place and the jacks lowered prior to pouring the new concrete deck in each stage. See Special Provisions for Jack and Remove Existing Bearings.
5. Prior to ordering any material, the Contractor shall verify the steel extension height required at each bearing.

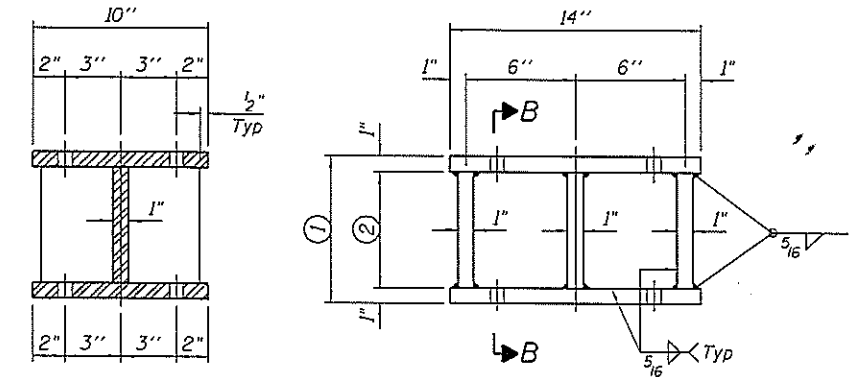


SIDE RETAINER

Equivalent rolled angle with stiffeners will be allowed in lieu of welded plates.



PLAN TOP AND BOTTOM STEEL EXTENSION PLATE

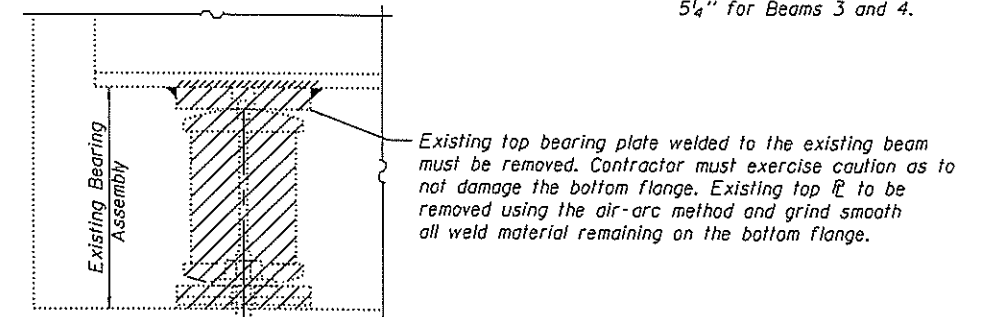


SECTION B-B

STEEL EXTENSION DETAIL

Notations:

- ① 6 1/4" for Beams 1, 2, 5, and 6. 7 1/4" for Beams 3 and 4.
- ② 4 1/4" for Beams 1, 2, 5, and 6. 5 1/4" for Beams 3 and 4.



EXISTING BEARING REMOVAL DETAIL

Cost included with Jack and Remove Existing Bearings.

BILL OF MATERIAL

Item	Unit	Total
Elastomeric Bearing Assembly, Type II	Each	24
Anchor Bolts, 5/8"	Each	48
Furnishing and Erecting Structural Steel	Pound	3,070

FILE NAME: W:\1235\active\1736328899_1001_IL32_ever-LakeShelby\AsstStructural\Drawing\87088015_74357_021_Bearing.dgn