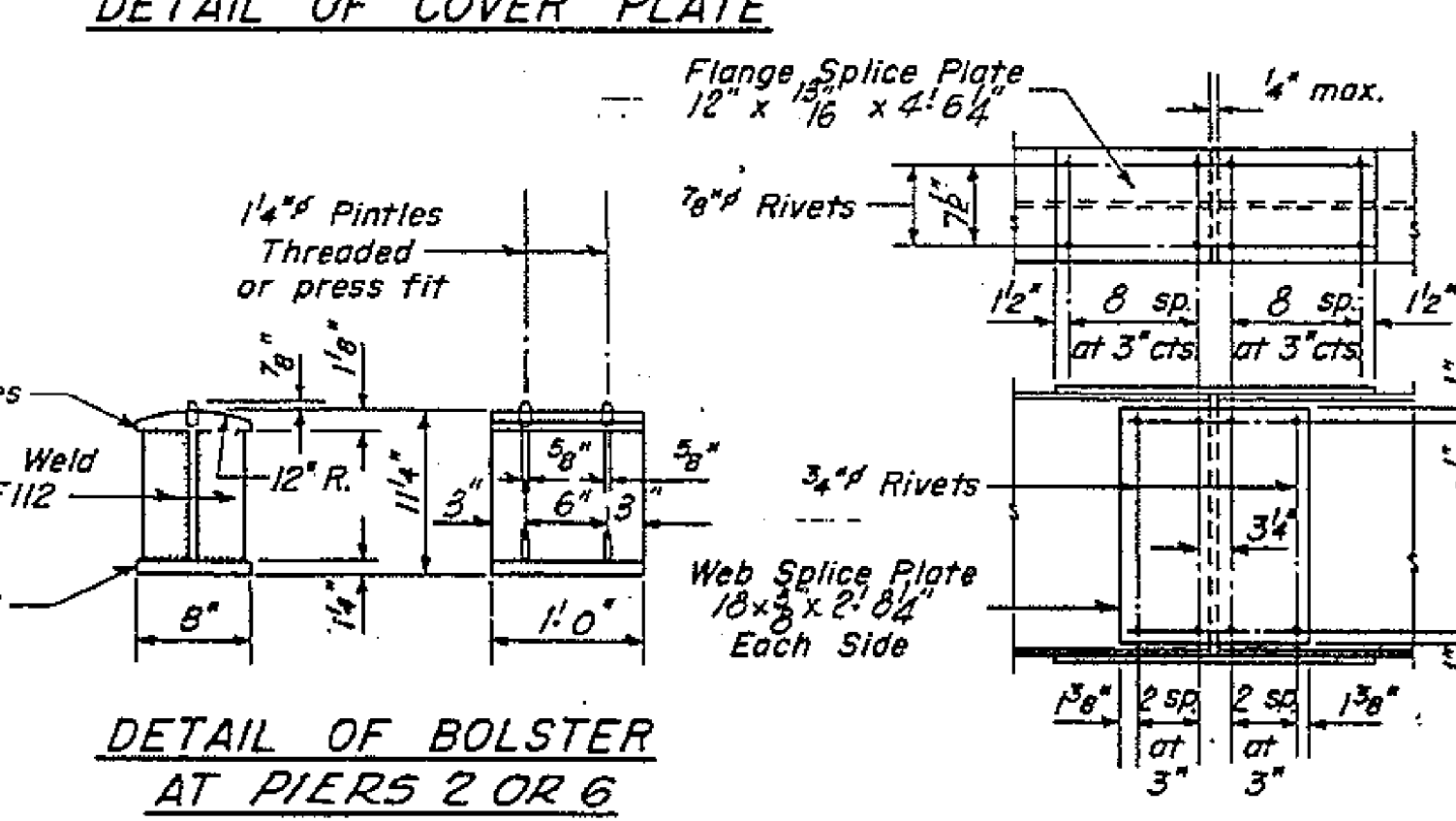
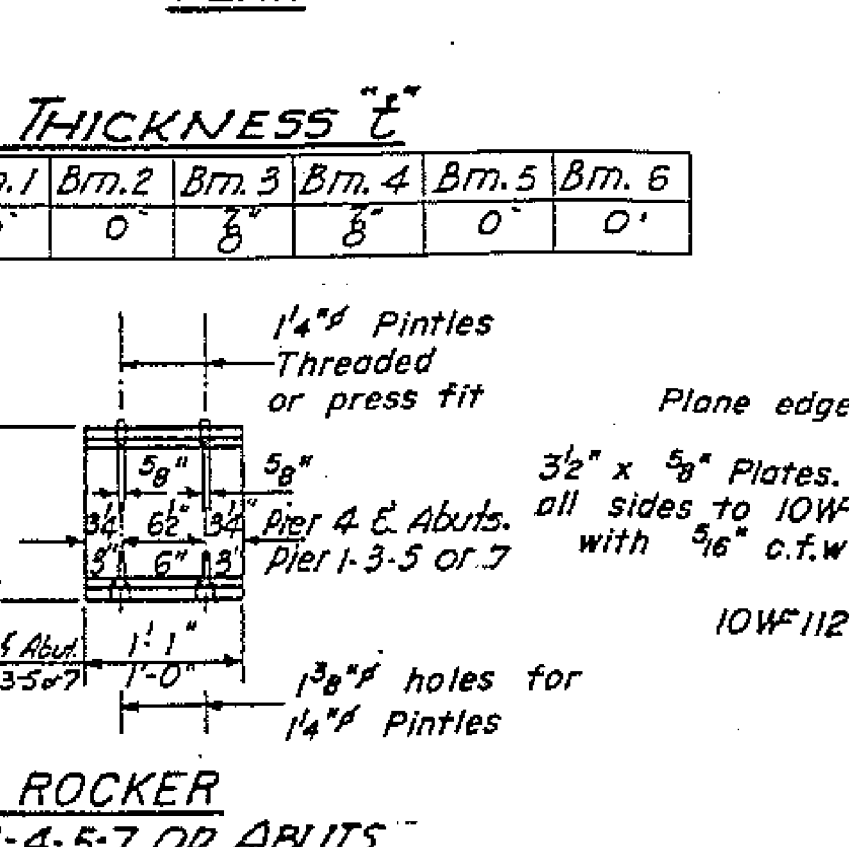
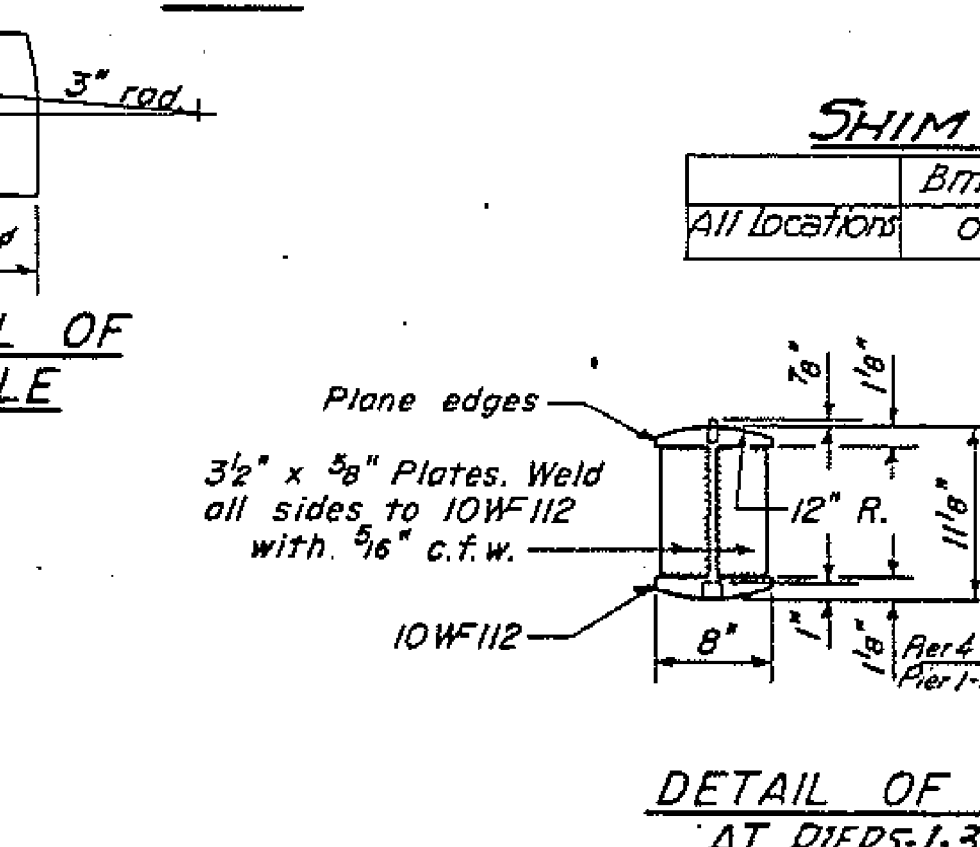
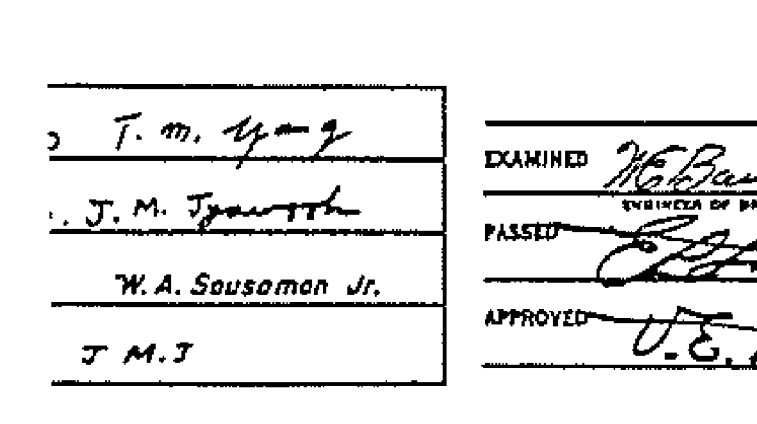


ELEVATION TOP OF WF (for fabrication only)

Location	Bms. 1 & 6	Bms. 2 & 5	Bms. 3 & 4
± Brq. N. Abut.	633.97	634.09	634.16
± Brq. S. Abut.	631.90	632.02	632.09

Note: All beams sloped at a constant grade of - 0.32% from ± Brq. No. Abut. to ± Brq. S. Abut.



T.M. 4-7
J.M. Spurr
W.A. Sausaman Jr.
J.M.J.

EXAMINED
PASSED
APPROVED

Feb 7 1964

DETAIL OF ROCKER AT PIERS 1-3-4-5-7 OR ABUTS.

DETAIL OF BOLSTER AT PIERS 2 OR 6

DETAIL OF SPLICE

TWO UNITS
STRUCTURAL STEEL
S.B.I. RT. 32-SEC. 2BR
MOULTRIE COUNTY
STATION 235+82.75

7-2-62 Rev. 11-9-62

FILE NAME = N:\1736\active\173630093_1.DOT_IL32_cover_LakeShelby\11a\structural\Ndr\beam\0700015_74357_026_Existing2.dgn