

SOUTH EDGE OF SHOULDER

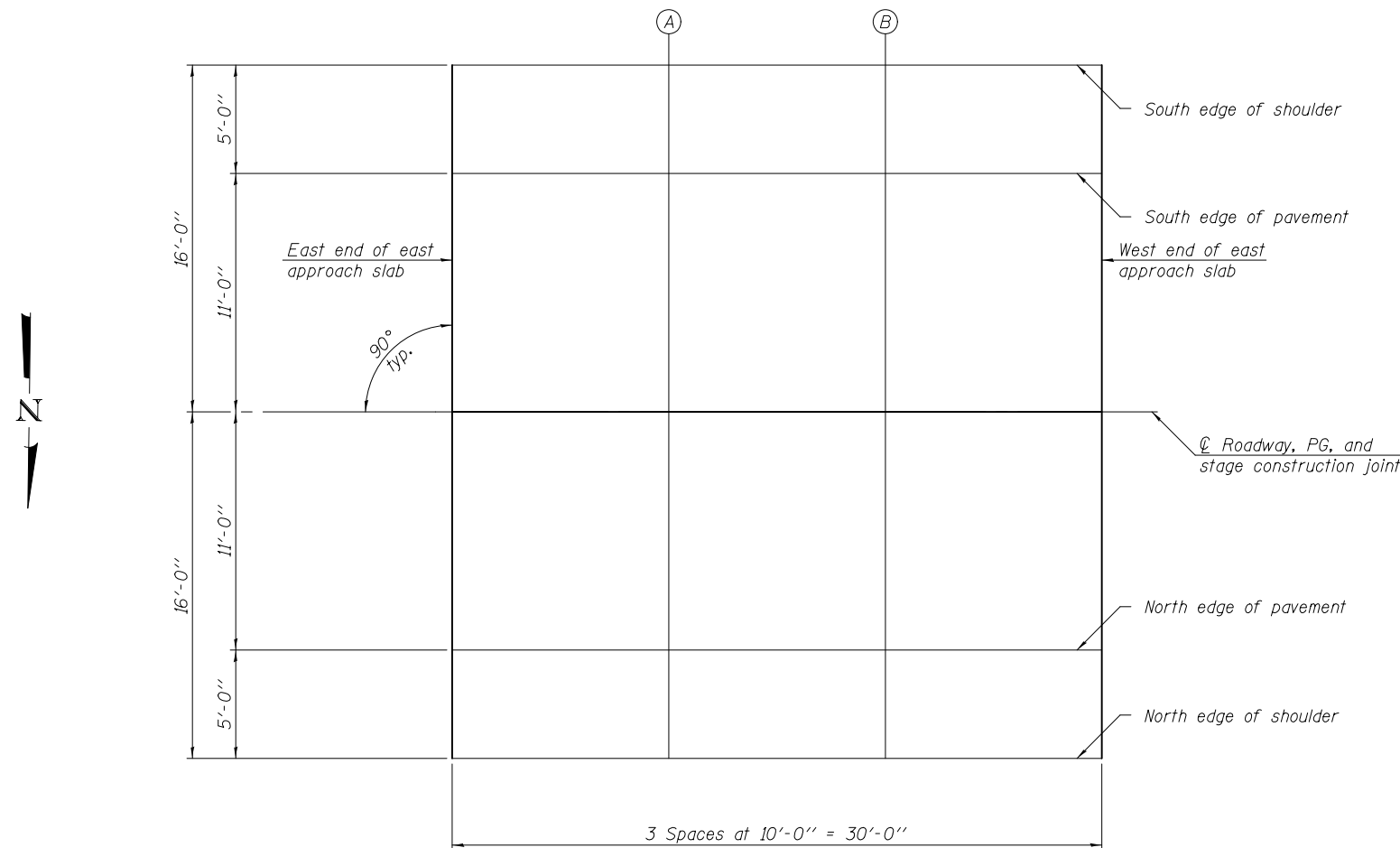
Location	Station	Offset	Theoretical Grade Elevations
E. End of E. Appr. Slab	309+98.79	-16.00	391.76
A	310+08.79	-16.00	391.77
B	310+18.79	-16.00	391.78
W. End of E. Appr. Slab	310+28.79	-16.00	391.78

SOUTH EDGE OF PAVEMENT

Location	Station	Offset	Theoretical Grade Elevations
E. End of E. Appr. Slab	309+98.79	-11.00	391.84
A	310+08.79	-11.00	391.85
B	310+18.79	-11.00	391.86
W. End of E. Appr. Slab	310+28.79	-11.00	391.86

☉ ROADWAY, PG, & STAGE CONSTRUCTION JOINT

Location	Station	Offset	Theoretical Grade Elevations
E. End of E. Appr. Slab	309+98.79	0.00	392.01
A	310+08.79	0.00	392.02
B	310+18.79	0.00	392.03
W. End of E. Appr. Slab	310+28.79	0.00	392.03



PLAN

NORTH EDGE OF PAVEMENT

Location	Station	Offset	Theoretical Grade Elevations
E. End of E. Appr. Slab	309+98.79	11.00	391.84
A	310+08.79	11.00	391.85
B	310+18.79	11.00	391.86
W. End of E. Appr. Slab	310+28.79	11.00	391.86

NORTH EDGE OF SHOULDER

Location	Station	Offset	Theoretical Grade Elevations
E. End of E. Appr. Slab	309+98.79	16.00	391.76
A	310+08.79	16.00	391.77
B	310+18.79	16.00	391.78
W. End of E. Appr. Slab	310+28.79	16.00	391.78

DESIGNED - IRENE PANTOJA	EXAMINED	DATE - SEPTEMBER 16, 2014
CHECKED - JOSUE D. ORTIZ-VARELA	<i>Jaime F. J. [Signature]</i> ACTING ENGINEER OF BRIDGE DESIGN	
DRAWN - MICHAEL B. MOSSMAN	PASSED	REVISED
CHECKED - J.O.V. / I.P. / G.R.A.	<i>Carl [Signature]</i> ACTING ENGINEER OF BRIDGES AND STRUCTURES	REVISED

STATE OF ILLINOIS  
DEPARTMENT OF TRANSPORTATION

TOP OF EAST BRIDGE APPROACH SLAB ELEVATIONS  
STRUCTURE NO. 096 - 0063

F.A.P. RTE.	SECTION	COUNTY	TOTAL SHEETS	SHEET NO.
823	(22BR2)BR	WAYNE	34	22
CONTRACT NO. 74365				
ILLINOIS FED. AID PROJECT				