

SOUTH EDGE OF SHOULDER

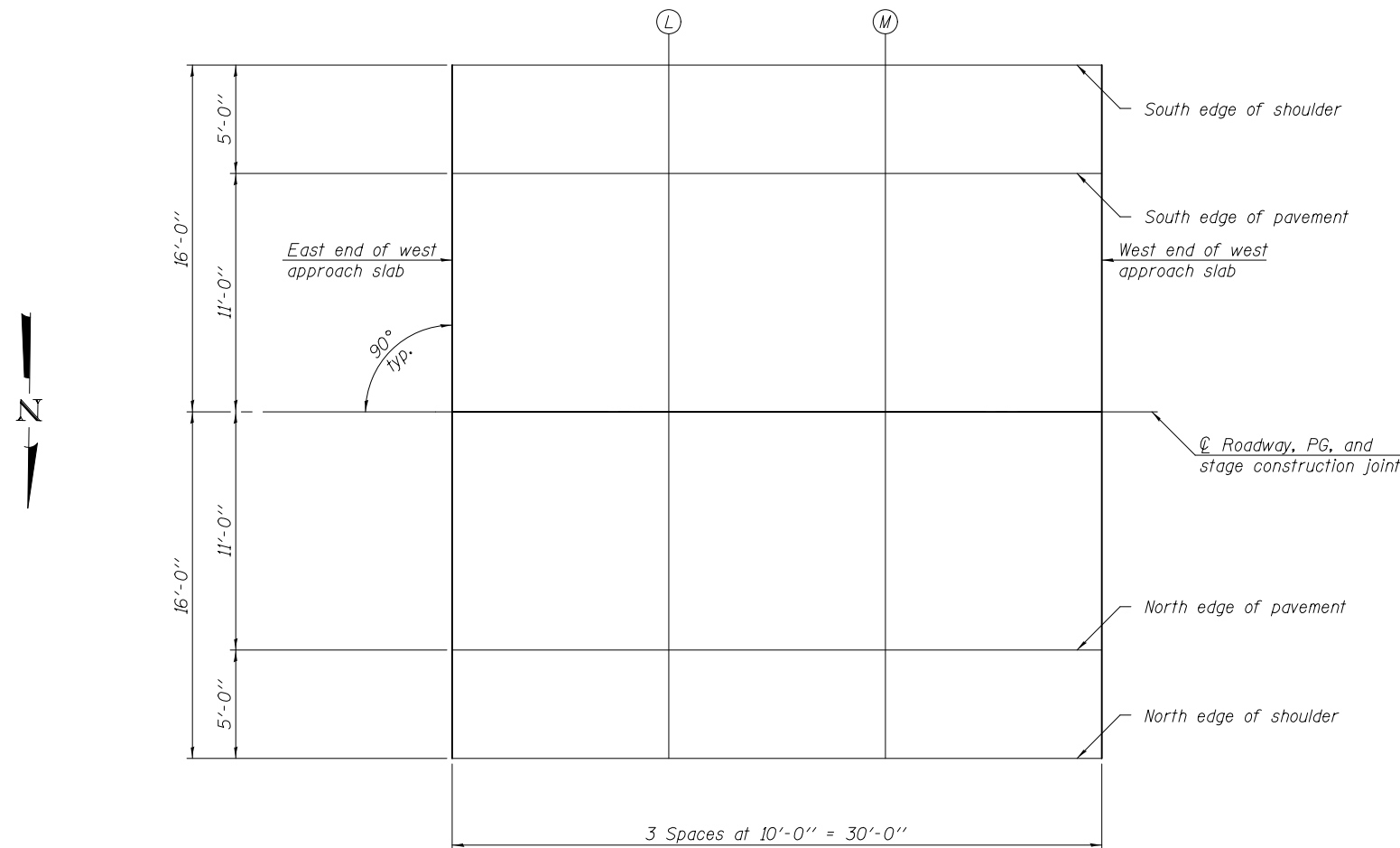
Location	Station	Offset	Theoretical Grade Elevations
E. End of W. Appr. Slab	311+41.21	-16.00	391.78
L	311+51.21	-16.00	391.78
M	311+61.21	-16.00	391.78
W. End of W. Appr. Slab	311+71.21	-16.00	391.77

SOUTH EDGE OF PAVEMENT

Location	Station	Offset	Theoretical Grade Elevations
E. End of W. Appr. Slab	311+41.21	-11.00	391.86
L	311+51.21	-11.00	391.86
M	311+61.21	-11.00	391.86
W. End of W. Appr. Slab	311+71.21	-11.00	391.85

☉ ROADWAY, PG, & STAGE CONSTRUCTION JOINT

Location	Station	Offset	Theoretical Grade Elevations
E. End of W. Appr. Slab	311+41.21	0.00	392.03
L	311+51.21	0.00	392.03
M	311+61.21	0.00	392.03
W. End of W. Appr. Slab	311+71.21	0.00	392.02



PLAN

NORTH EDGE OF PAVEMENT

Location	Station	Offset	Theoretical Grade Elevations
E. End of W. Appr. Slab	311+41.21	11.00	391.86
L	311+51.21	11.00	391.86
M	311+61.21	11.00	391.86
W. End of W. Appr. Slab	311+71.21	11.00	391.85

NORTH EDGE OF SHOULDER

Location	Station	Offset	Theoretical Grade Elevations
E. End of W. Appr. Slab	311+41.21	16.00	391.78
L	311+51.21	16.00	391.78
M	311+61.21	16.00	391.78
W. End of W. Appr. Slab	311+71.21	16.00	391.77

DESIGNED - IRENE PANTOJA
 CHECKED - JOSUE D. ORTIZ-VARELA
 DRAWN - MICHAEL B. MOSSMAN
 CHECKED - J.O.V. / I.P. / G.R.A.

EXAMINED *Joanne F. J...*
 ACTING ENGINEER OF BRIDGE DESIGN
 PASSED *Carl...*
 ACTING ENGINEER OF BRIDGES AND STRUCTURES

DATE - SEPTEMBER 16, 2014
 REVISED
 REVISED

STATE OF ILLINOIS
 DEPARTMENT OF TRANSPORTATION

TOP OF WEST BRIDGE APPROACH SLAB ELEVATIONS
 STRUCTURE NO. 096 - 0063

F.A.P. RTE.	SECTION	COUNTY	TOTAL SHEETS	SHEET NO.
823	(22BR2)BR	WAYNE	34	23
CONTRACT NO. 74365				

SHEET NO. 7 OF 18 SHEETS

ILLINOIS FED. AID PROJECT