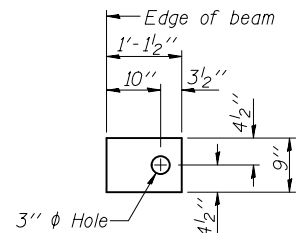


FABRIC BEARING PAD
(Interior)

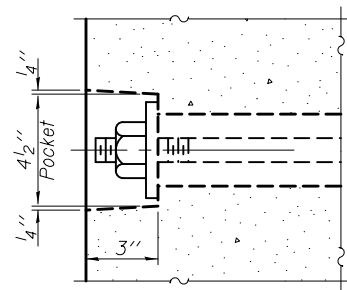


FABRIC BEARING PAD
(Exterior)

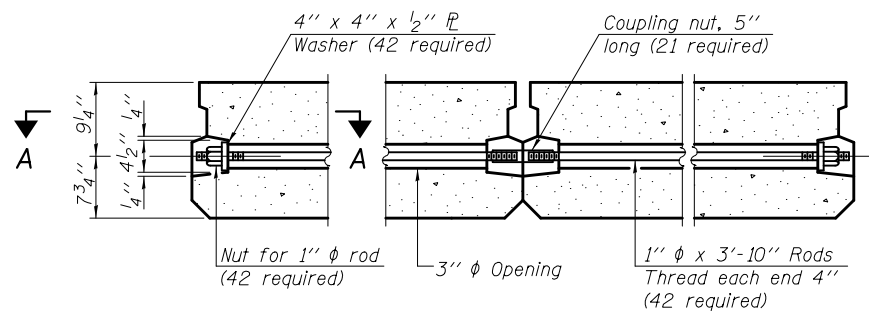
FIXED

Notes:

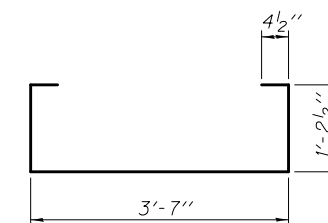
All bearing pads shall be 1" thick.
Omit holes when using expansion bearings.
Expansion bearing pad shall be bonded to the substructure.



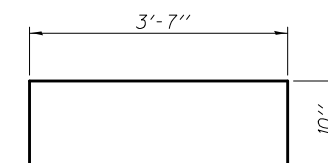
SECTION A-A



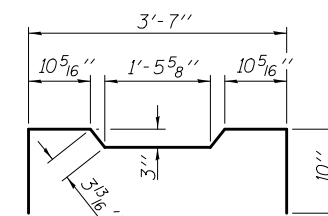
TYPICAL TRANSVERSE TIE ASSEMBLY



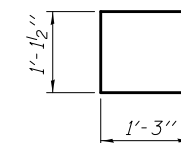
BAR S(E)



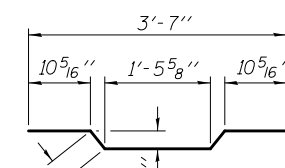
BAR S1(E)



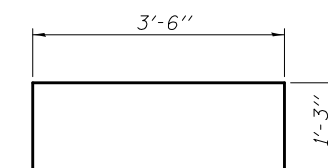
BAR S2(E)



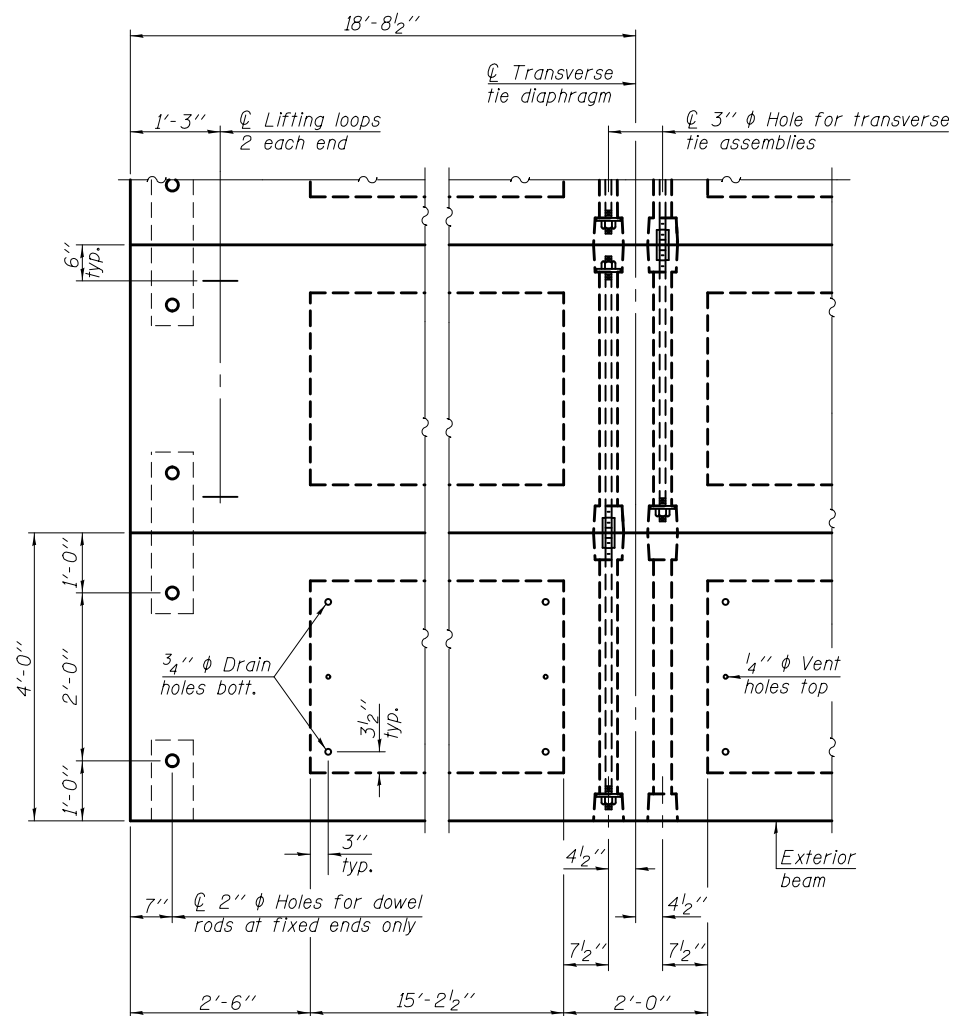
BAR U(E)



BAR A1(E)

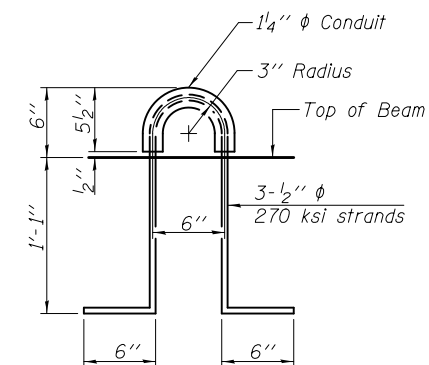


BAR U1(E)



PLAN VIEW

Note: Connect beams in pairs with the transverse tie configuration shown.



LIFTING LOOP DETAIL

NOTES

Prestressing steel shall be uncoated high strength, low relaxation 7-wire strand, Grade 270. The nominal diameter shall be 1/2" and the nominal cross-sectional area shall be 0.153 sq. in.
The 1" diameter rods in the transverse tie assembly shall be tightened to a snug fit and the threads set. Pockets on exterior faces of bridge shall be filled with grout after transverse tie assembly is in place.
Reinforcement bars shall conform to ASTM A 706, Grade 60.
Two 1/8" fabric adjusting shims of the dimensions of the exterior bearing pad shall be provided for each bearing pad location.
A minimum 2 1/2" diameter lifting pin shall be used to engage the lifting loops during handling.
Corrosion Inhibitor, per Article 1020.05(b)(12) and 1021.06 of the Standard Specifications, shall be used in the concrete for precast prestressed concrete deck beams.
Compressive strength of prestressed concrete, f'c, shall be 6000 psi.
Compressive strength of prestressed concrete at release, f'ci, shall be 5000 psi.
See Superstructure Details sheet for additional reinforcement required for parapet or railing connections.
See Shear Key Clamping Details on sheet 9 of 18 for locations of required semi-circular recesses in beams at the stage construction line.

BILL OF MATERIAL

Precast Prestressed Conc. Deck Bms. (17" depth)	Sq. Ft.	3,592
---	---------	-------

DESIGNED - IRENE PANTOJA
CHECKED - JOSUE D. ORTIZ-VARELA
DRAWN - MICHAEL B. MOSSMAN
CHECKED - J.O.V. / I.P. / G.R.A.

EXAMINED - *Joanne F. Joffe*
ACTING ENGINEER OF BRIDGE DESIGN
PASSED - *Carl Kruger*
ACTING ENGINEER OF BRIDGES AND STRUCTURES

DATE - SEPTEMBER 16, 2014
REVISED
REVISED

STATE OF ILLINOIS
DEPARTMENT OF TRANSPORTATION

17" x 48" PPC DECK BEAM DETAILS
STRUCTURE NO. 096 - 0063

SHEET NO. 11 OF 18 SHEETS

F.A.P. RTE.	SECTION	COUNTY	TOTAL SHEETS	SHEET NO.
823	(22BR2)BR	WAYNE	34	27
				CONTRACT NO. 74365
ILLINOIS FED. AID PROJECT				