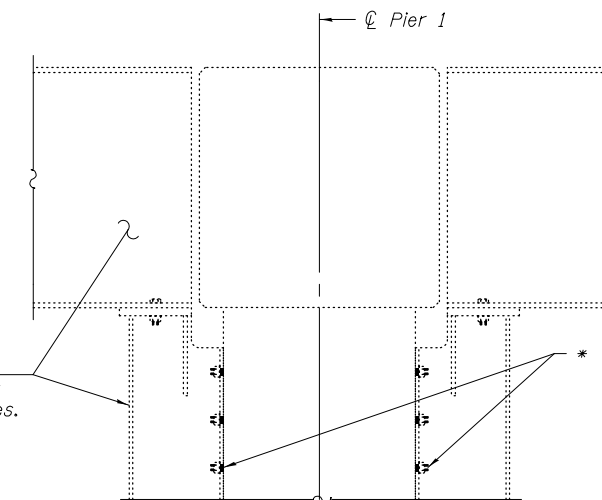


LEGEND
 ② Structural Repair of Concrete (Depth equal to or less than 5 inches)

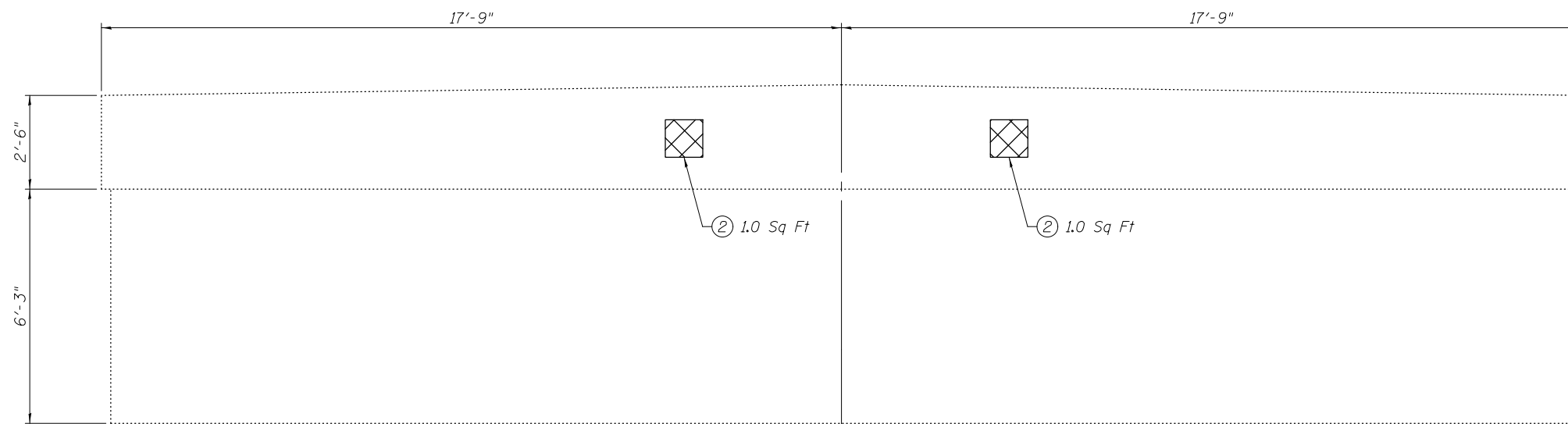
PIER 1 ELEVATION
(West face)

Existing steel deck beam supports to be salvaged. Cost included with Removal of Existing Superstructures. See sheet 1 of 18.



SECTION THRU PIER 1

* Existing grouted bars shall be cut off to existing concrete surface. Grind smooth and seal with epoxy. Cost included with Removal of Existing Superstructures.



PIER 1 ELEVATION
(East face)

BILL OF MATERIAL

Item	Unit	Quantity
Structural Repair Of Concrete (Depth Equal to or Less than 5 Inches)	Sq. Ft.	16.0

DESIGNED - IRENE PANTOJA	EXAMINED - <i>Jaime F. Lopez</i> ACTING ENGINEER OF BRIDGE DESIGN	DATE - SEPTEMBER 16, 2014
CHECKED - JOSUE D. ORTIZ-VARELA	PASSED - <i>Carl Lopez</i> ACTING ENGINEER OF BRIDGES AND STRUCTURES	REVISED
DRAWN - MICHAEL B. MOSSMAN		REVISED
CHECKED - J.O.V. / I.P. / G.R.A.		

STATE OF ILLINOIS
DEPARTMENT OF TRANSPORTATION

PIER 1 REMOVAL & REPAIRS
STRUCTURE NO. 096 - 0063

SHEET NO. 16 OF 18 SHEETS

F.A.P. RTE.	SECTION	COUNTY	TOTAL SHEETS	SHEET NO.
823	(22BR2)BR	WAYNE	34	32
CONTRACT NO. 74365			ILLINOIS FED. AID PROJECT	