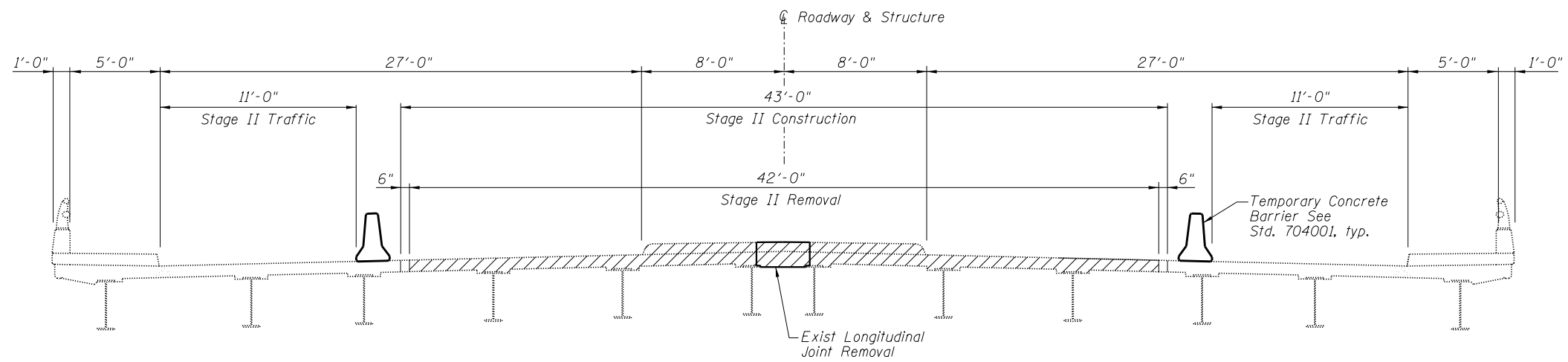


**STAGE I LOOKING EAST**



**STAGE II LOOKING EAST**

FILE NAME = I:\101\6008 - d7 var var-work order 3 - 11 121 resurfacing\CADD\Structural\staging.dgn



USER NAME = dbullock  
 PLOT TIME = 4:49:07 PM  
 PLOT SCALE = 8.0000' / in.  
 PLOT DATE = 8/19/2014

DESIGNED - JMB  
 CHECKED - ACB  
 DRAWN - RLK  
 CHECKED - JMB

REVISED -  
 REVISED -  
 REVISED -  
 REVISED -

**STATE OF ILLINOIS  
 DEPARTMENT OF TRANSPORTATION**

**CONSTRUCTION STAGING DETAILS  
 STRUCTURE NO. 058-0050**

SHEET NO. 2 OF 13 SHEETS

F.A.P. RTE.	SECTION	COUNTY	TOTAL SHEETS	SHEET NO.
320	(126X)RS-2,135RS-1	MACON	119	100
SN. 058-0050		CONTRACT NO. 74624		
STA.	ILLINOIS FED. AID PROJECT			