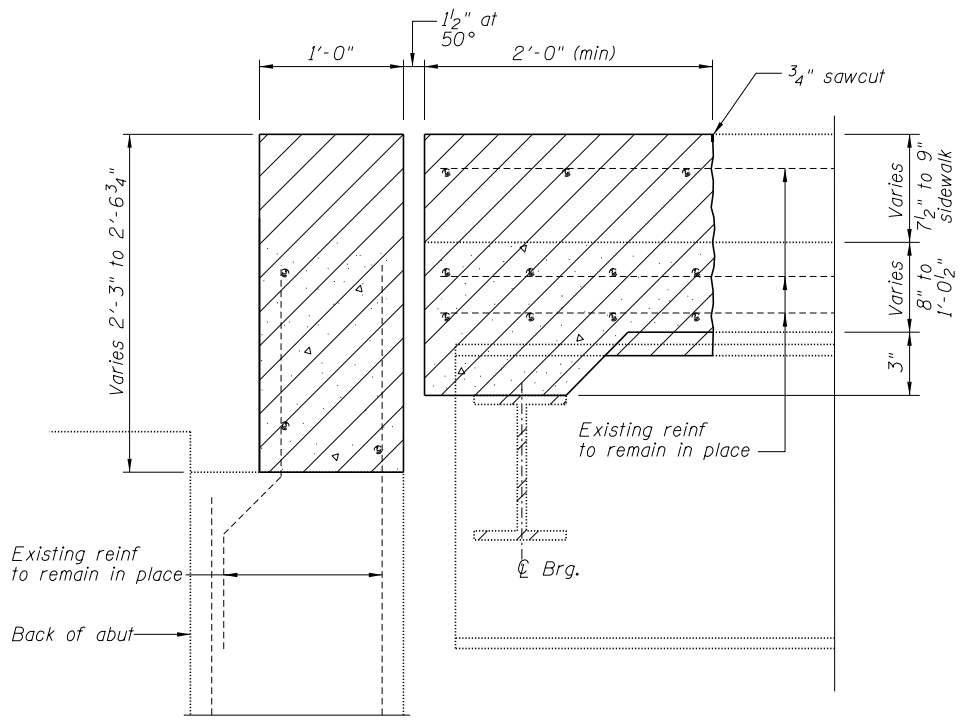
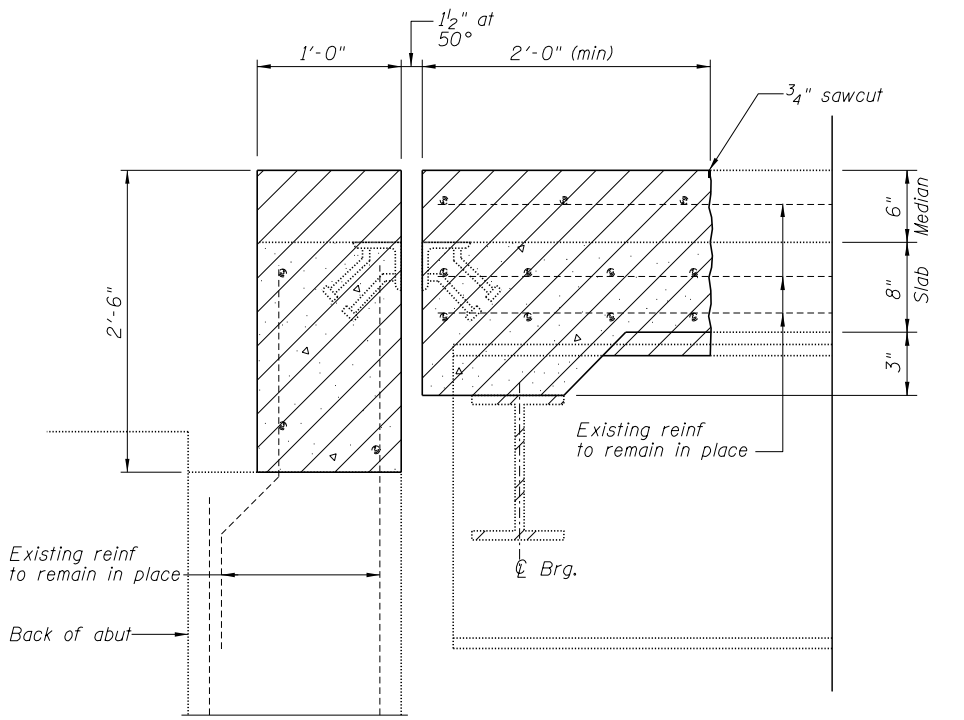


SECTION A-A

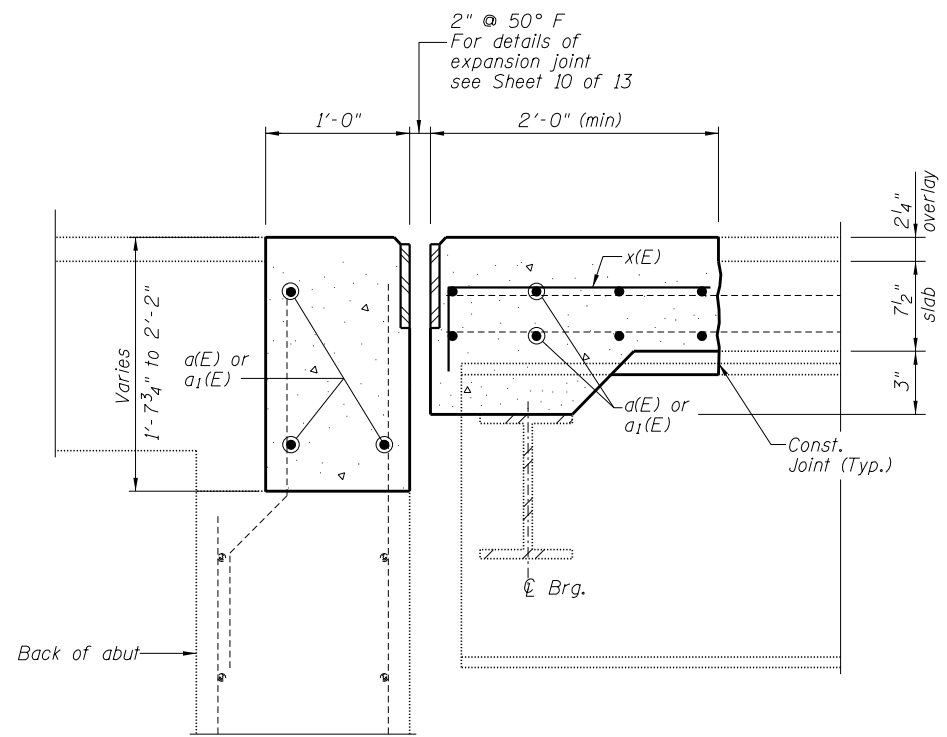


SECTION B-B

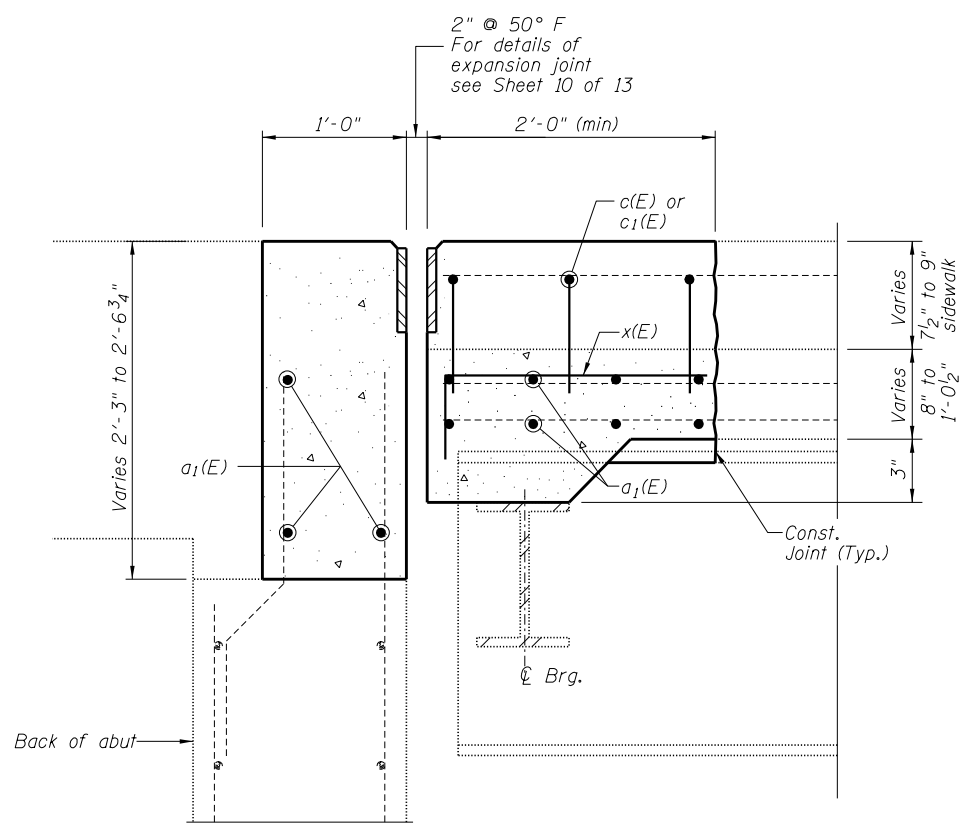


SECTION C-C

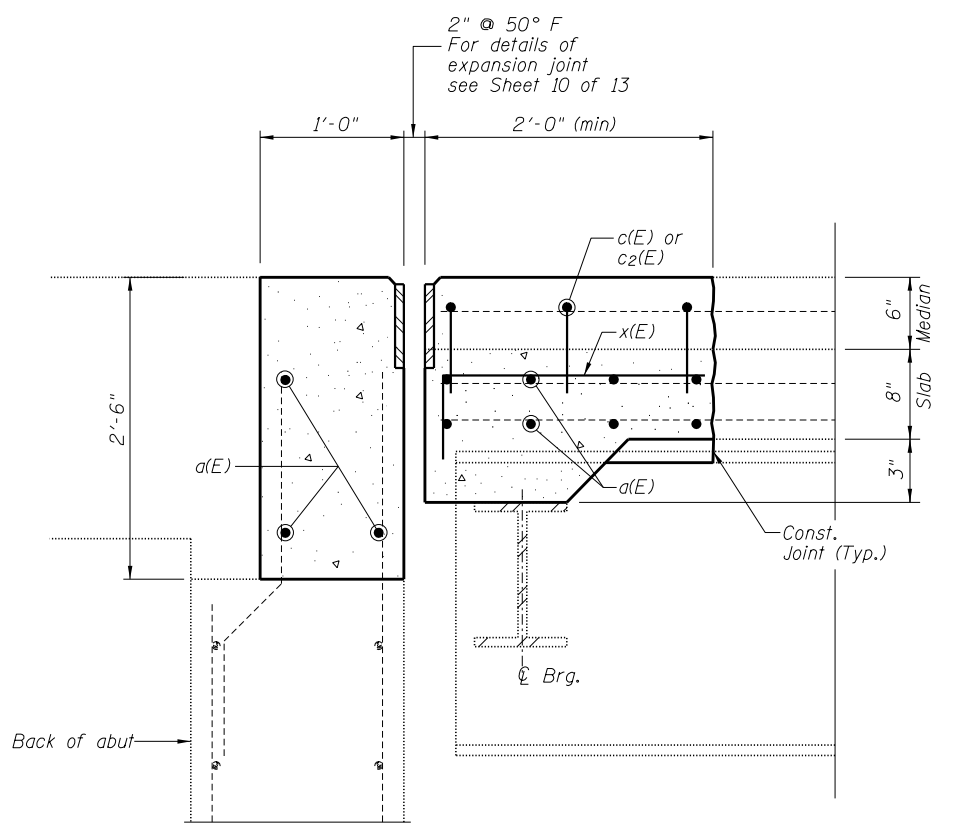
- ⊕ Existing Reinforcement
- Proposed Reinforcement



SECTION D-D



SECTION E-E



SECTION F-F

FILE NAME = I:\121\resurfacing\CADD\Structural\exp_jdt1.svdgn