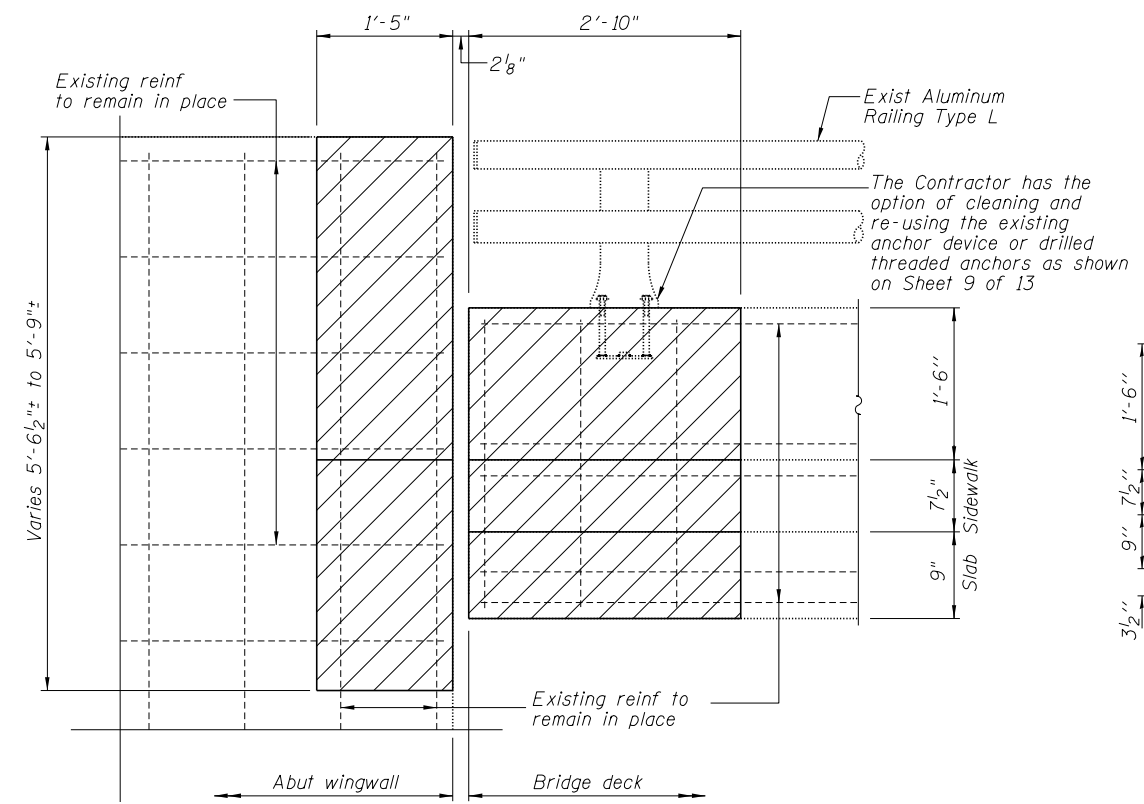
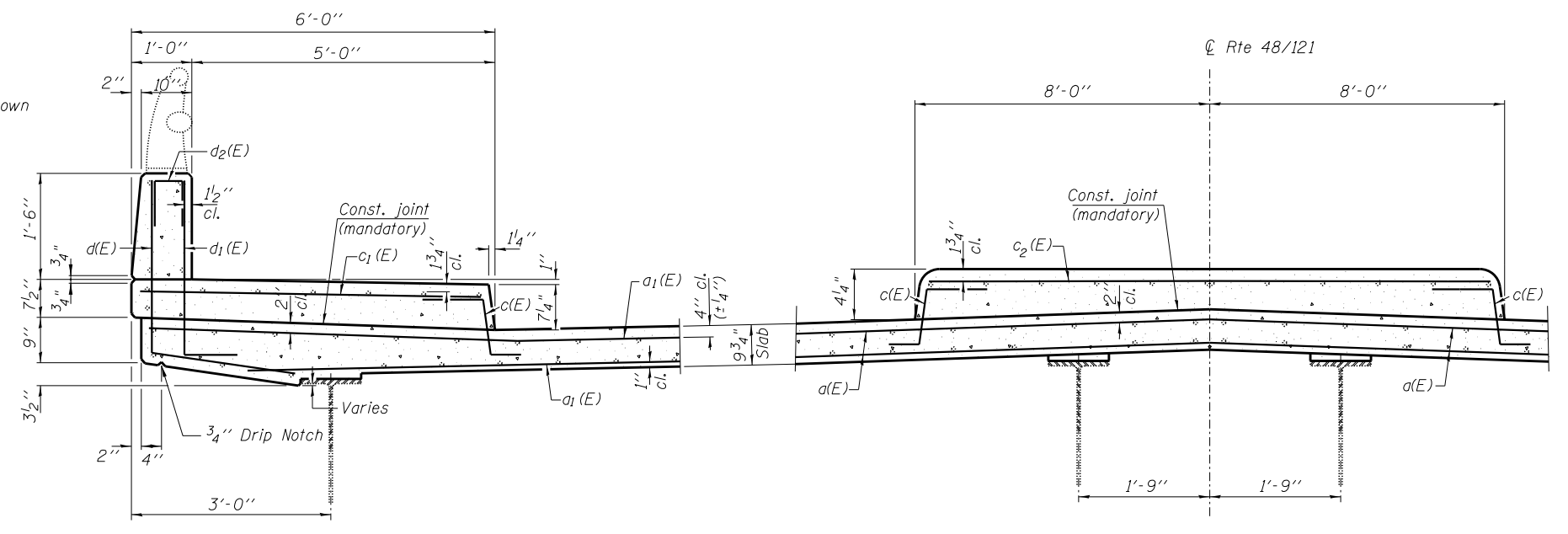


FILE NAME = I:\121\resurfacing\CADD\Structural\exp\td1.scdgn

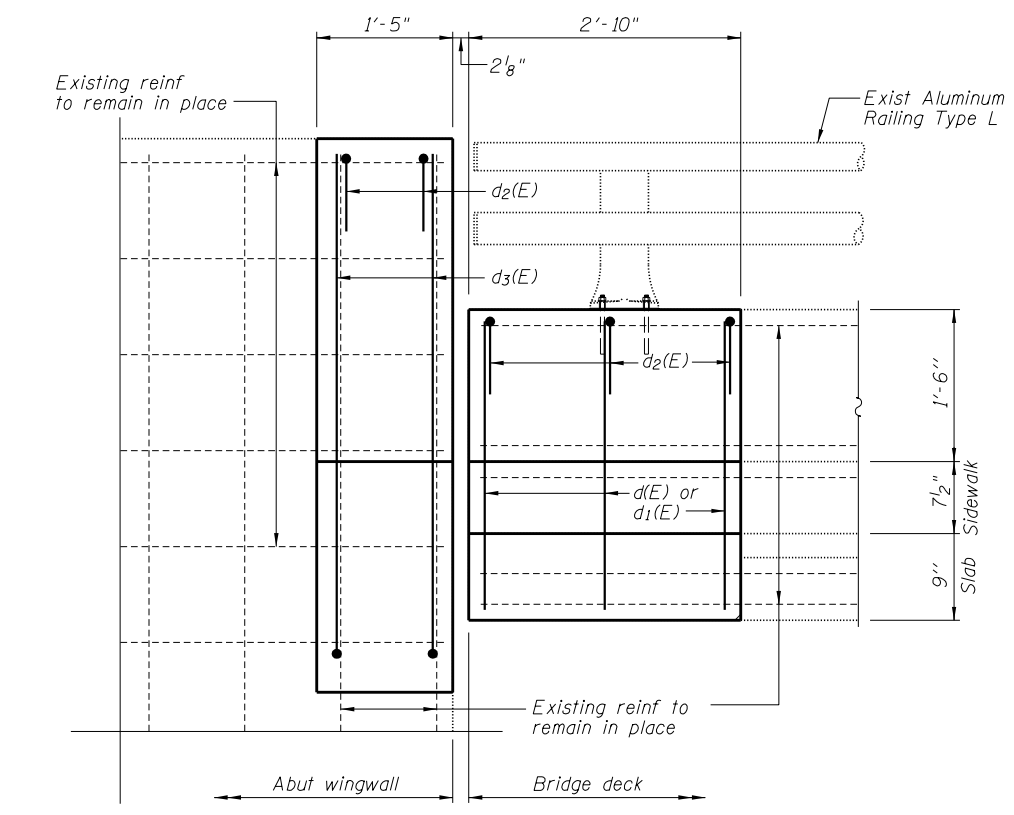


**SECTION G-G**

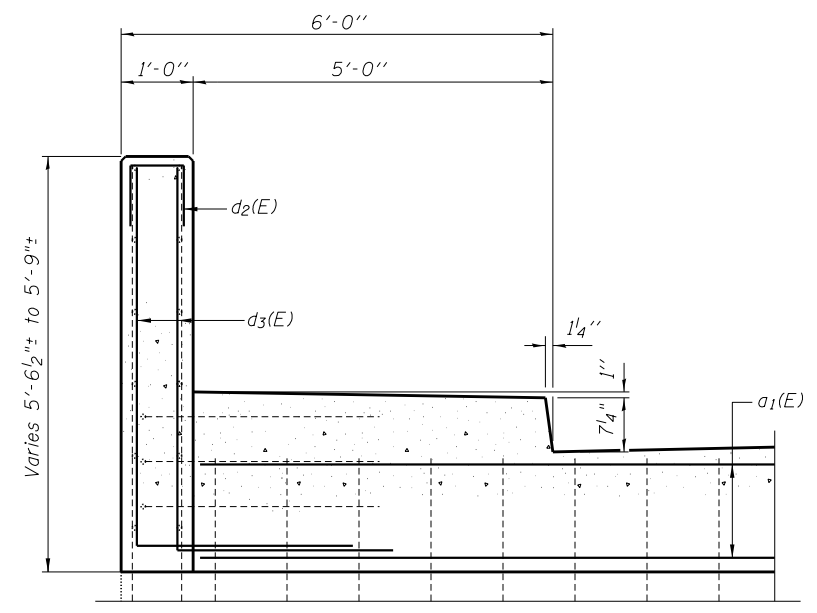


**SECTION THRU SIDEWALK**

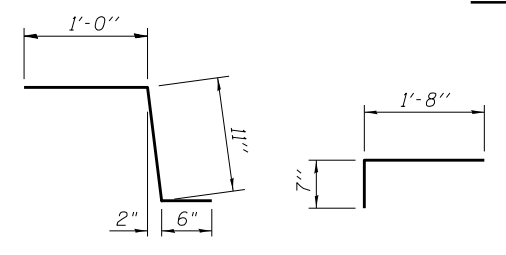
**SECTION THRU MEDIAN**



**SECTION H-H**

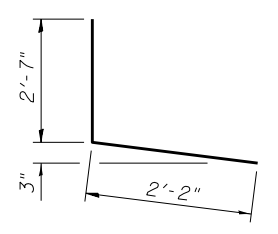


**SECTION THRU APPROACH SIDEWALK**

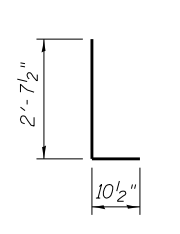


**BAR c(E)**

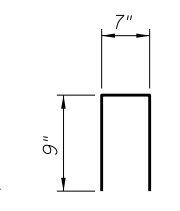
**BAR x(E)**



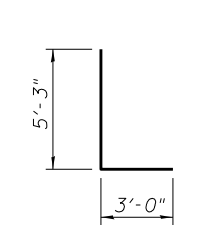
**BAR d(E)**



**BAR d1(E)**



**BAR d2(E)**



**BAR d3(E)**

**BILL OF MATERIAL (BOTH ABUTMENTS)**

Bar	No.	Size	Length	Shape
a(E)	44	#6	32'-2"	—
a1(E)	44	#6	28'-8"	—
c(E)	24	#5	2'-5"	⌒
c1(E)	12	#5	8'-0"	—
c2(E)	6	#5	21'-8"	—
d(E)	12	#4	4'-9"	L
d1(E)	12	#6	3'-6"	L
d2(E)	20	#4	2'-1"	⌒
d3(E)	16	#6	8'-3"	L
x(E)	206	#5	2'-3"	⌒
Concrete Removal			Cu. Yd.	37.7
Concrete Superstructure			Cu. Yd.	37.7
Reinforcement Bars, Epoxy Coated			Pound	5130

Bars indicated thus 1 x 2-#5 etc. indicates 1 line of bars with 2 lengths per line.