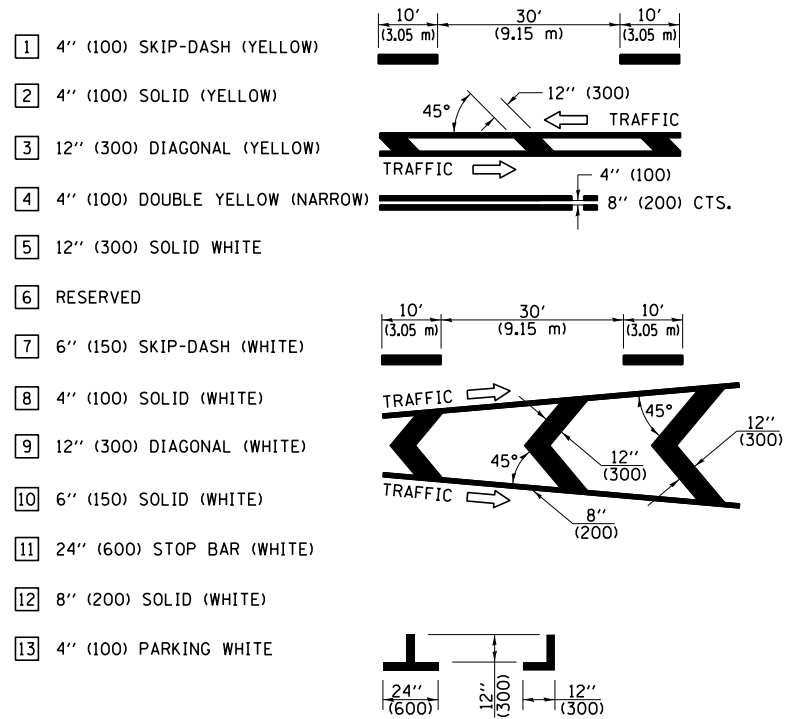


PLACE THE ARROW 18' (5.5 m) BACK FROM STOP BAR
 PLACE ANOTHER ARROW EVEN WITH THE BEGINNING
 OF THE SOLID WHITE LINE. SPACE ADDITIONAL ARROWS
 EVENLY UP TO 80' (24.4 m) MAXIMUM SPACING.

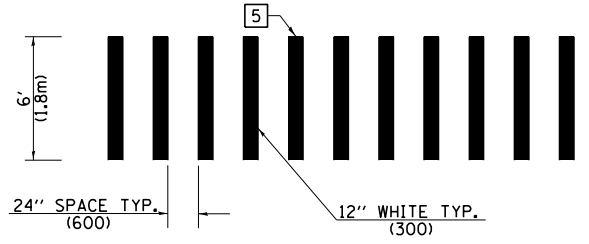
- * REDUCE TO 40 FEET (12.2 METERS) SPACING ON CURVES
 WHERE ADVISORY SPEEDS ARE 10 MPH (15 km/h) LOWER
 THAN POSTED SPEEDS.
- ** DOUBLE LANE LINE MARKERS SHALL BE SPECIFIED
 AND SPACED AS SHOWN IN HIGHWAY STANDARD
 781001 FOR MULTI-LANE DIVIDED AND UNDIVIDED
 HIGHWAYS.

PAVEMENT MARKING LEGEND

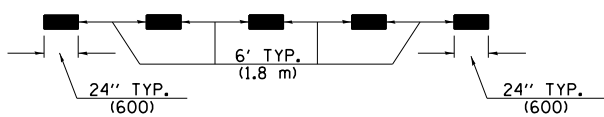


GENERAL NOTES

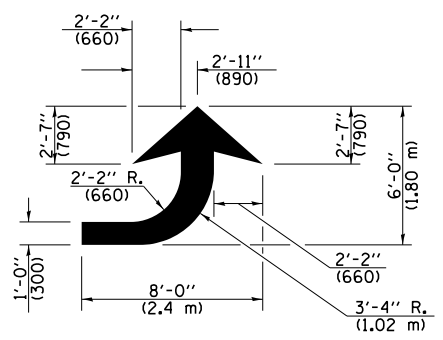
1. TURN ARROW PAIRS SHALL BE PLACED AT 250' (75 m)
 INTERVALS AND SHALL BE EVENLY SPACED BETWEEN
 BOTH ENDS OF THE BIDIRECTIONAL LEFT TURN LANE.
 USE A MINIMUM OF TWO PAIRS PER BLOCK.
2. THE SOLID YELLOW PAVEMENT MARKINGS [2] SHOULD
 GENERALLY START OR END NEAR THE RADIUS POINT OF
 EACH STREET RETURN EXCEPT WHERE ONE OR BOTH
 ENDS WOULD INCLUDE STOP BARS.
3. THE SKIP-DASH PAVEMENT MARKINGS [1] OR [7] SHOULD
 BE CENTERED BETWEEN BOTH ENDS OF EACH CITY BLOCK
 AND SHALL BE PLACED SO THEY LINE UP ACROSS FROM
 EACH OTHER.
4. USE LARGE ARROW SIZE FOR BOTH RURAL AND URBAN
 LOCATIONS. (SEE LAST PAGE OF SECTION 780x FOR
 SYMBOLS TABLE)
5. LANE LINE EXTENSIONS SHALL BE THE SAME COLOR
 AND WIDTH AS THE LANE LINE BEING EXTENDED.



**CROSSWALK DETAIL
 (DECATUR CITY LIMITS ONLY)**

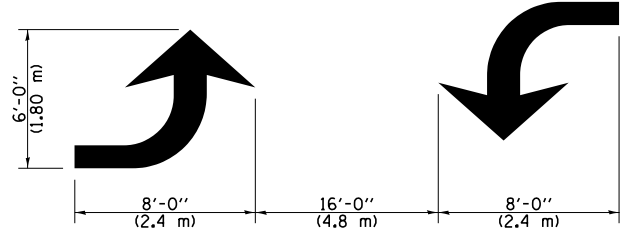


LANE LINE EXTENSIONS



LEFT ARROW

REVERSE FOR RIGHT ARROW
 AREA = 15.6 SQ. FT. (1.47 m²)
 (WHITE)



**TYPICAL DOUBLE
 TURN ARROWS (WHITE)**

NOT TO SCALE

Note: All dimensions are in INCHES
 (millimeters) unless otherwise shown.

**PAVEMENT MARKING AND RAISED REFLECTIVE PAVEMENT MARKERS
 (RURAL & URBAN APPLICATIONS)**

**PAVEMENT MARKING DETAILS
 FAP 320 (IL 121/L 48)**

DISTRICT 7 DETAIL NO. 7800001

FILE NAME =	USER NAME = dbulloek	DESIGNED - CAS	REVISED -
\\s:\dot\6008 - d7 var ver\work order 3	\\1121 resurfacing\cadd\civil\10774624-sht-des	DRAWN - DLB	REVISED -
Default	PLOT SCALE = 48.0000' / in.	CHECKED - JMB	REVISED -
	PLOT DATE = 8/19/2014	DATE - 8/13/14	REVISED -

**STATE OF ILLINOIS
 DEPARTMENT OF TRANSPORTATION**

SCALE: SHEET OF SHEETS STA. TO STA.

F.A.P. RTE.	SECTION	COUNTY	TOTAL SHEETS	SHEET NO.
320	(126X)RS-2,135RS-1	MACON	119	115
CONTRACT NO. 74624				
ILLINOIS FED. AID PROJECT				