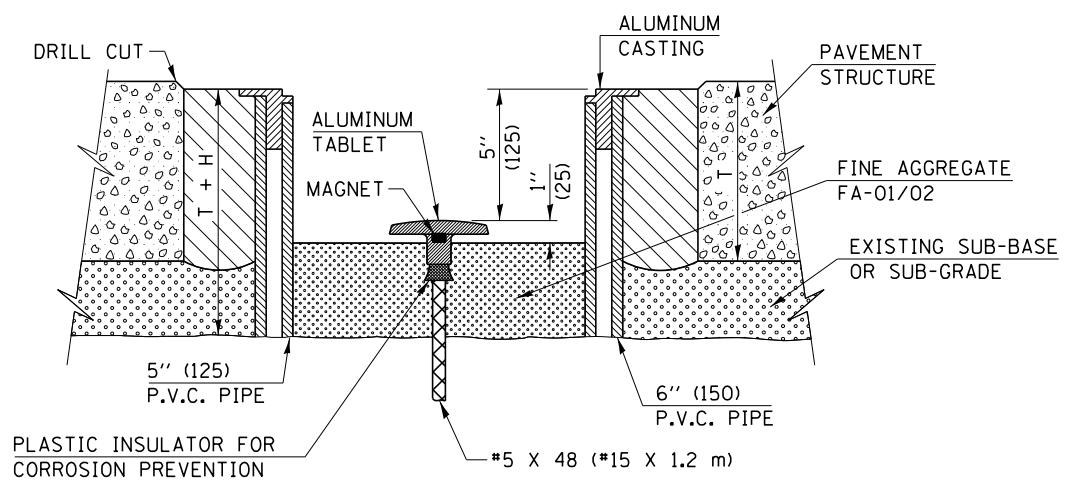
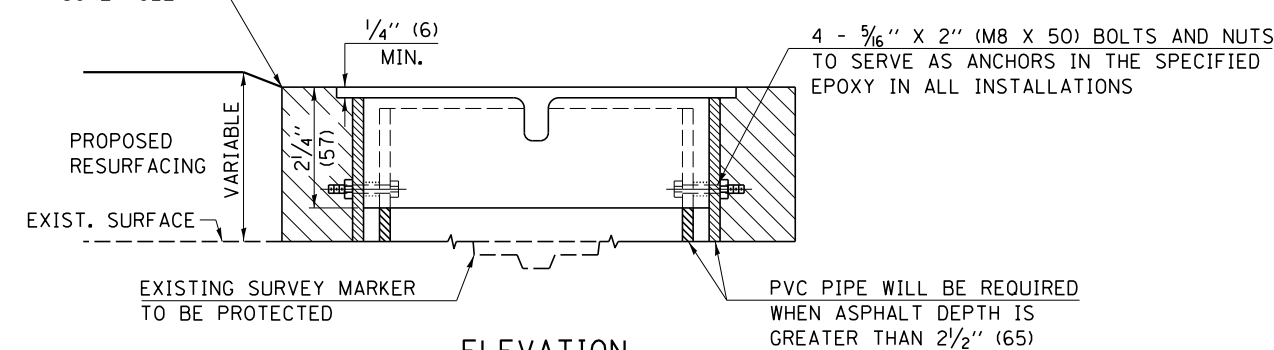
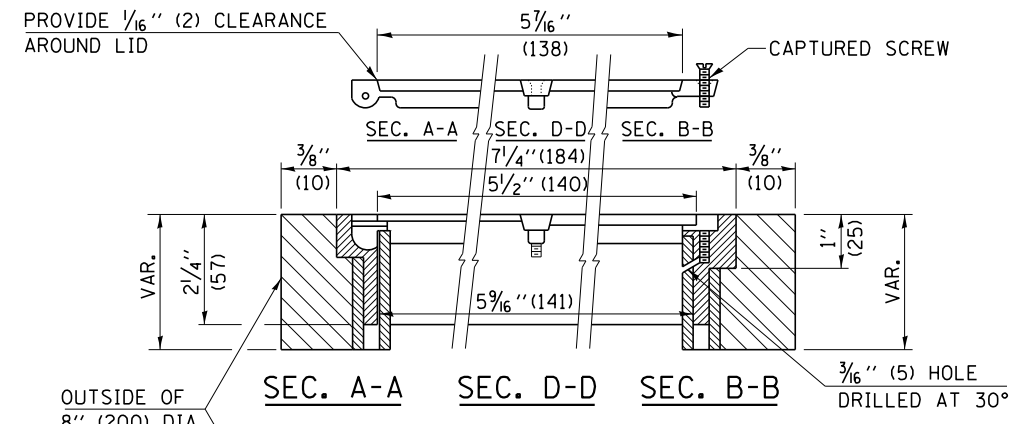
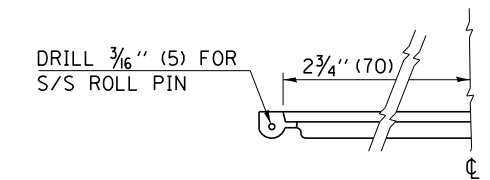
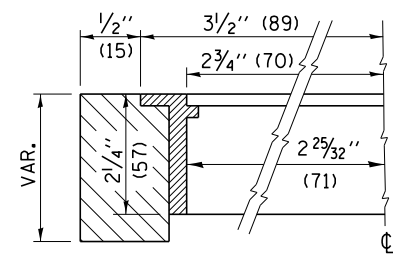


- LEGEND**
- ALUMINUM CASTING
 - 5" (125) OR 6" (150) P.V.C. PIPE
 - TWO-COMPONENT EPOXY
- T = THICKNESS OF PAVEMENT STRUCTURE
H = THE THICKNESS OF THE SUB-BASE GRANULAR + 1" (25)

BILL OF MATERIAL

ALUMINUM CASTING OF THE DIMENSIONS AND SPECIFICATIONS SHOWN OR OTHER SUBJECT TO ENGINEER'S APPROVAL OF SHOP DRAWINGS, 4 EACH - 5/16" X 2" (M8 X 50) BOLTS WITH NUTS, EPOXY, 5" OR 6" (125 mm OR 150 mm) DIAMETER P.V.C. PIPE, SCHEDULE 40 (WHEN REQUIRED).



EXISTING SURVEY MARKER

PROPOSED SURVEY MARKER

NOT TO SCALE
Note: All dimensions are in INCHES (millimeters) unless otherwise shown.

FILE NAME =	USER NAME = dbullock	DESIGNED - CAS	REVISED -
\\dot\6008 - d7 var var\work order 3	\\121 resurfacing\cadd\civil\0774624-sht-des	DRAWN - DLB	REVISED -
Default	PLOT SCALE = 48.0000' / in.	CHECKED - JMB	REVISED -
	PLOT DATE = 8/19/2014	DATE - 8/13/14	REVISED -

**STATE OF ILLINOIS
DEPARTMENT OF TRANSPORTATION**

**SURVEY VAULT DETAILS
FAP 320 (IL 121/L 48)**

SCALE: SHEET OF SHEETS STA. TO STA.

DISTRICT 7 DETAIL NO. Z0070202				
F.A.P. RTE.	SECTION	COUNTY	TOTAL SHEETS	SHEET NO.
320	(126X)RS-2,135RS-1	MACON	119	119
CONTRACT NO. 74624				
ILLINOIS FED. AID PROJECT				