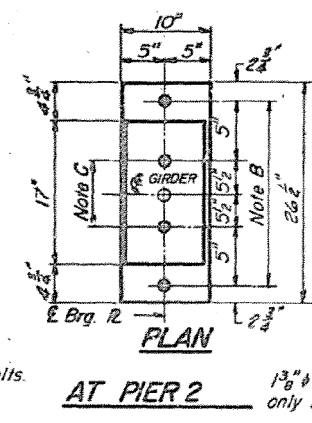
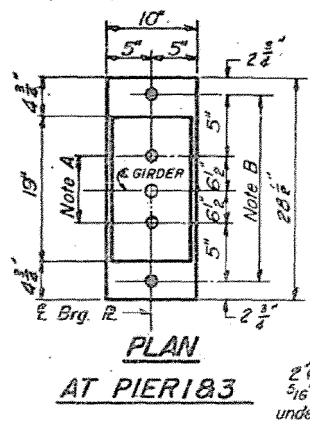
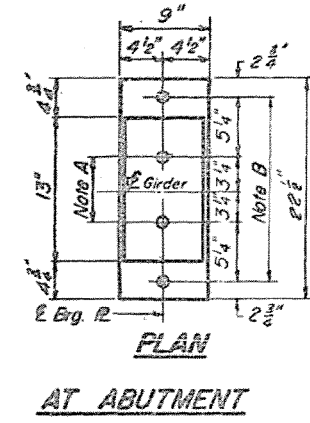
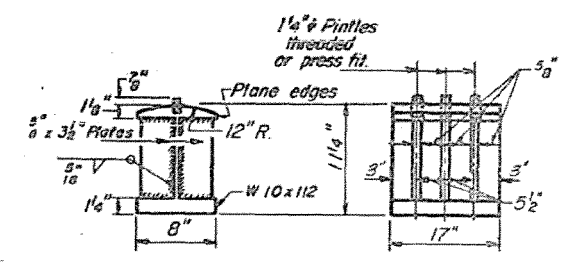
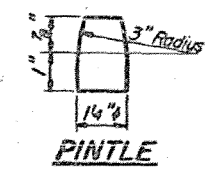
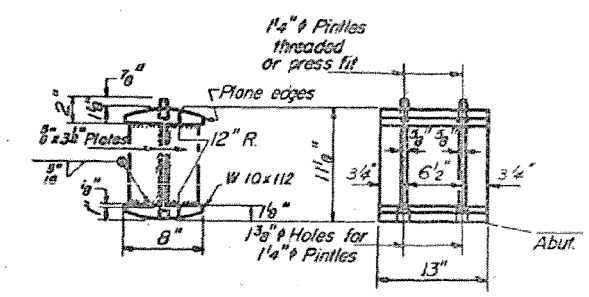
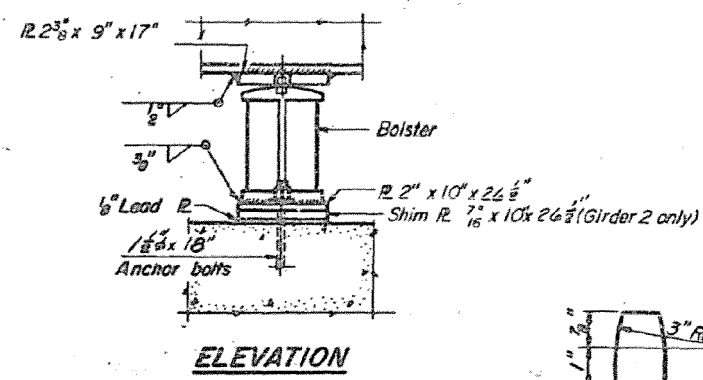
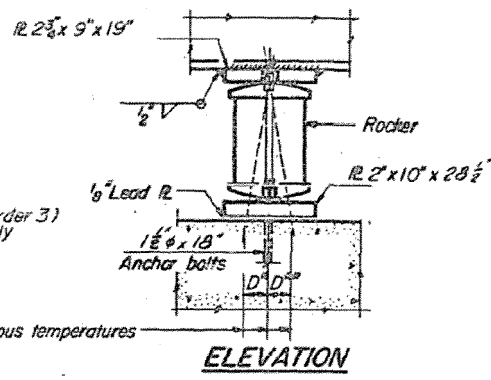
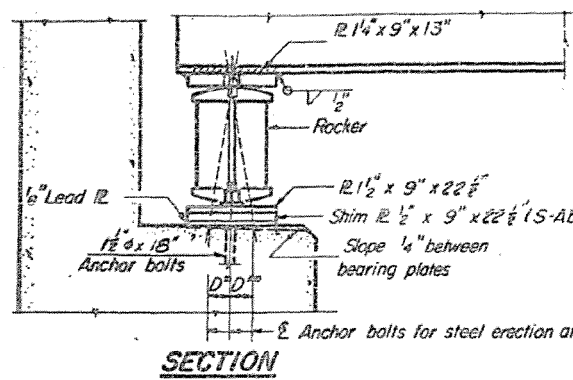


WORK NO.	SECTION	COUNTY	TOTAL SHEETS	SHEET NO.
116	112-BR	CUMBERLAND	30	19
				16 SHEETS



NOTE A
1 3/8" ϕ Holes - 1" deep in top IR for pintles. Thread or press fit pintles into bottom IR.

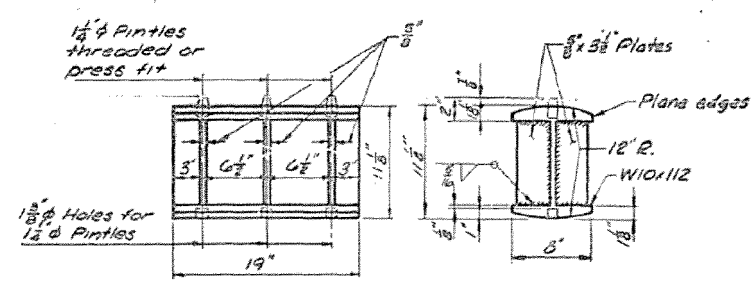
NOTE B
2" ϕ Holes for 1 1/2" ϕ anchor bolts. 5/16" x 3" x 3" IR Washers under nut.

NOTE C
1 3/8" ϕ Holes, 1" deep in top IR only for 1 1/4" ϕ pintles.

NOTES ON SETTING OF ANCHOR BOLTS AT EXP. BRGS.

- a) D^* (Side of brg. away from fixed brg.)
 $D^* = 1/8"$ per each 100' of expansion for every 15° fall below the normal temp. of 50°F.
- D^{**} (Side of brg. toward fixed brg.)
 $D^{**} = 1/8"$ per each 100' of expansion for every 15° rise above the normal temp. of 50°F.
- b) After girders have been erected and dimensions D^* or D^{**} determined, holes shall be drilled and anchor bolts shall be grouted in place. All fixed anchor bolts may be built into the masonry.

BEARING ASSEMBLY DETAILS



ROCKER PIER 1&3

NOT TO SCALE

BEARINGS			
FA. RT. 116 SECTION 112 BR			
CUMBERLAND COUNTY			
STA. 254+69.5			
DESIGNED: MCH	CHECKED: MGB		
DRAWN: CAM	DATE: 4-15-80		