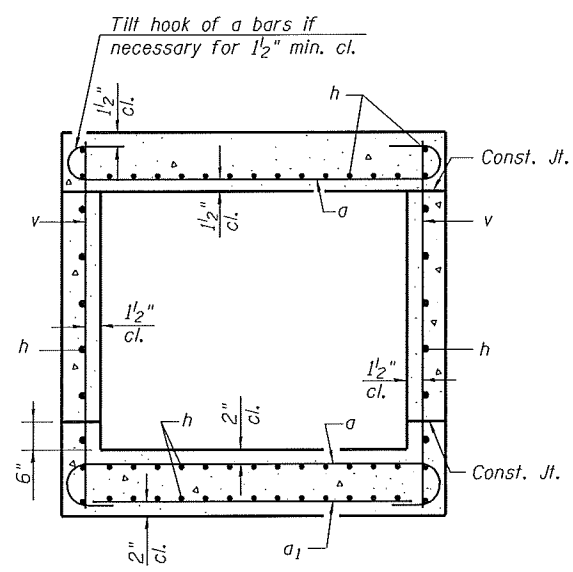


LEFT EXTENSION

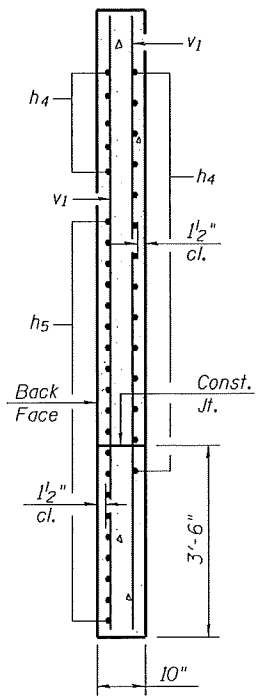
TOP SLAB PLAN
SHOWING REINFORCEMENT

RIGHT EXTENSION

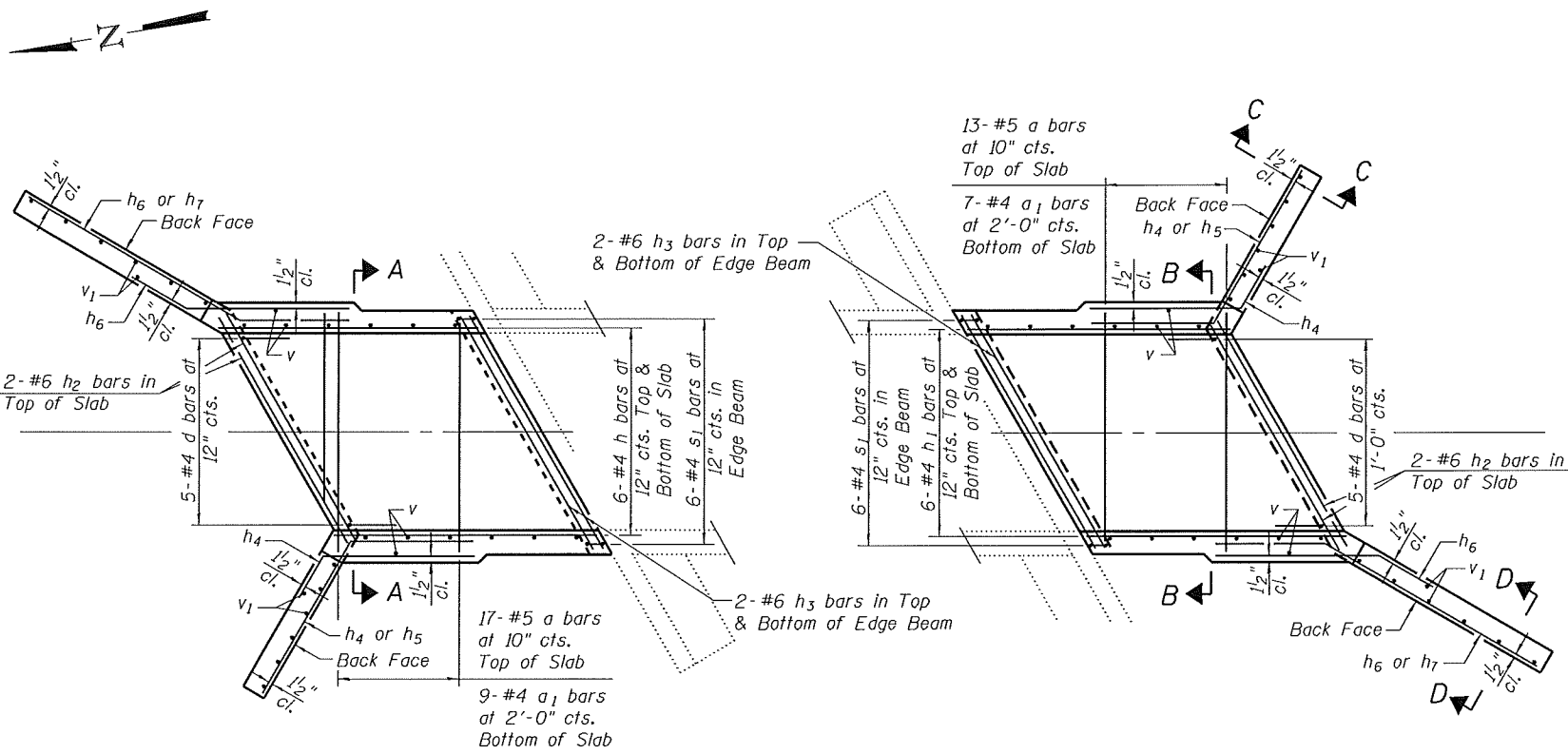
(v, v₁, h₆, h₇, h₈ & h₉ bars not shown for clarity)



SECTION A-A



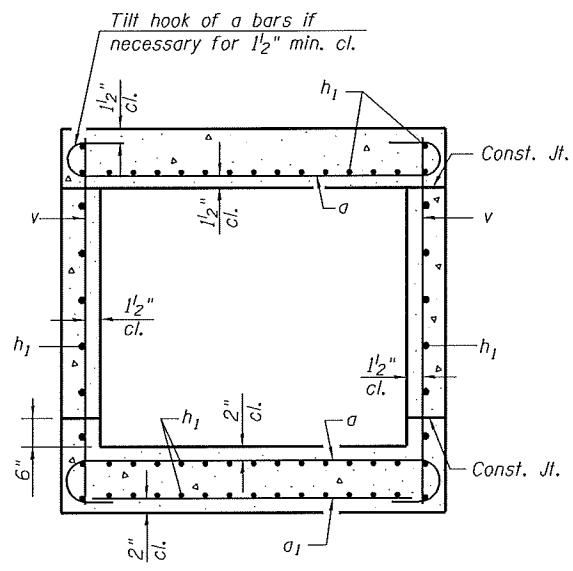
SECTION C-C



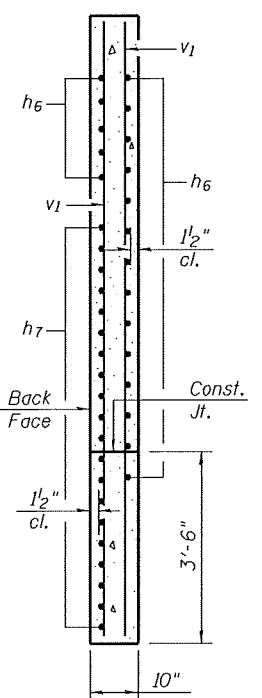
LEFT EXTENSION

BOTTOM SLAB PLAN
SHOWING REINFORCEMENT

RIGHT EXTENSION



SECTION B-B



SECTION D-D

Notes:
For Elevation, Bar Bends, and Total Bill of Material see sheet 3 of 3.

FILE NAME = 149+43.87-76789-002.dgn



USER NAME = jdirkelmann	DESIGNED - JD	REVISED -
Illinois Design Firm Number 184.001670	CHECKED - BB	REVISED -
PLOT SCALE =	DRAWN - WS	REVISED -
PLOT DATE = 8/8/2014	CHECKED - CJF	REVISED -

STATE OF ILLINOIS
DEPARTMENT OF TRANSPORTATION

BOX CULVERT EXTENSION DETAILS
STATION 149+43.87
SHEET NO. 2 OF 3 SHEETS

F.A.S. RTE. 752	SECTION 101-2RS-1	COUNTY JERSEY	TOTAL SHEETS 438	SHEET NO. 202
CONTRACT NO. 76789				
ILLINOIS FED. AID PROJECT				