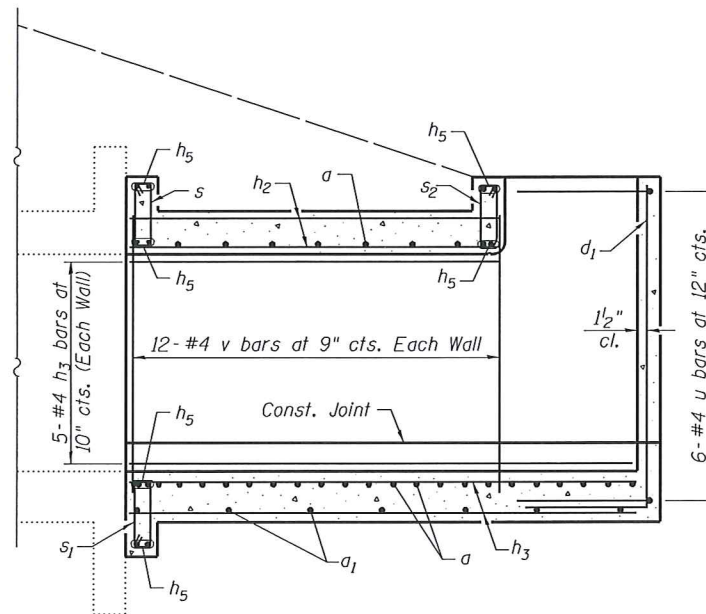
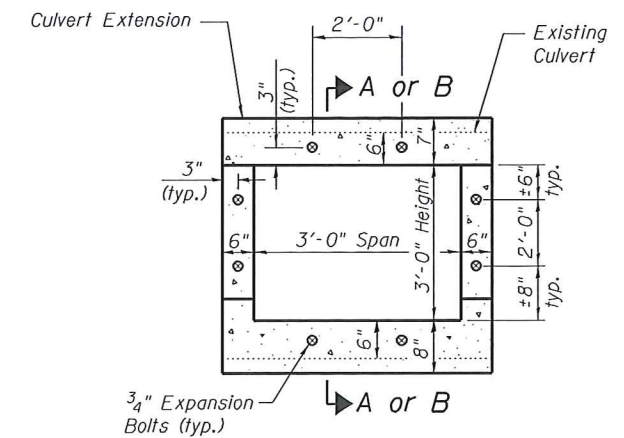


LEFT EXTENSION



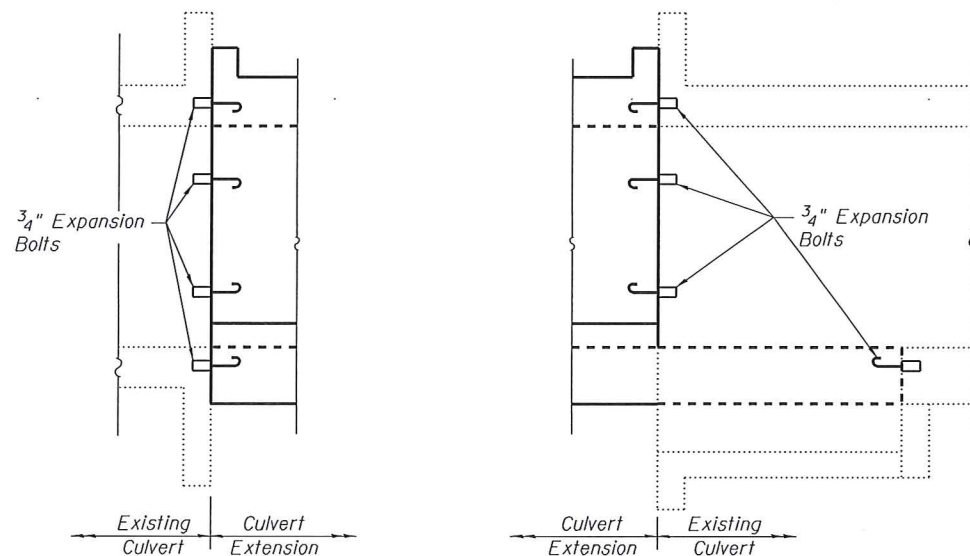
RIGHT EXTENSION



Note - Expansion Bolts shall be 3/4" hooked bolts. Hooked bolts shall extend a minimum of 9" into the new concrete

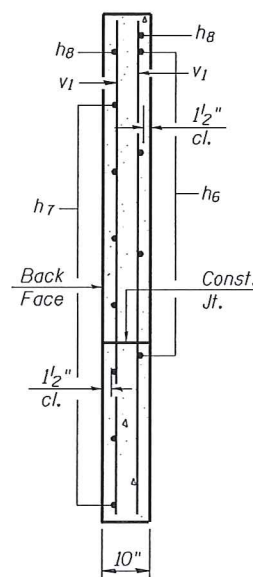
EXPANSION BOLT LAYOUT

ELEVATION

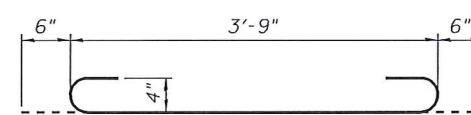


SECTION A-A
(Showing South Extension)

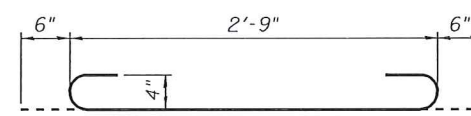
SECTION B-B
(Showing North Extension)



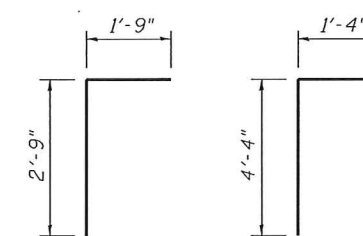
SECTION C-C



BAR a

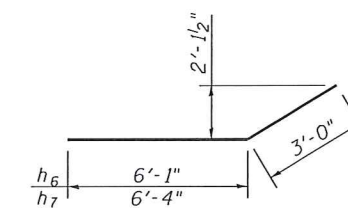


BAR a2

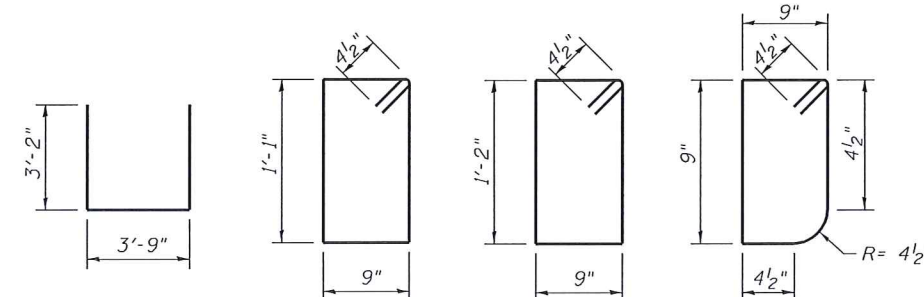


BAR d

BAR d1



BARS h6 & h7



BAR u

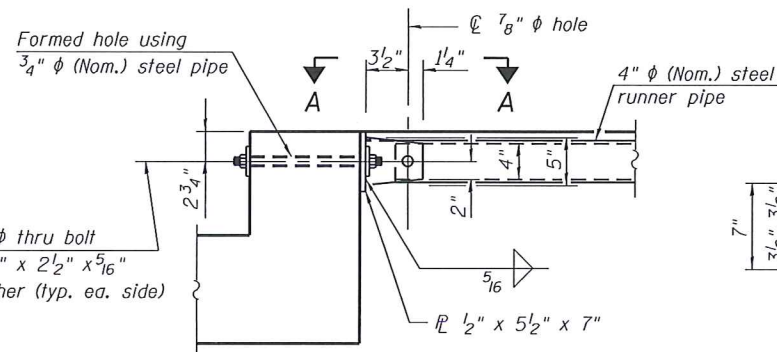
BAR s

BAR s1

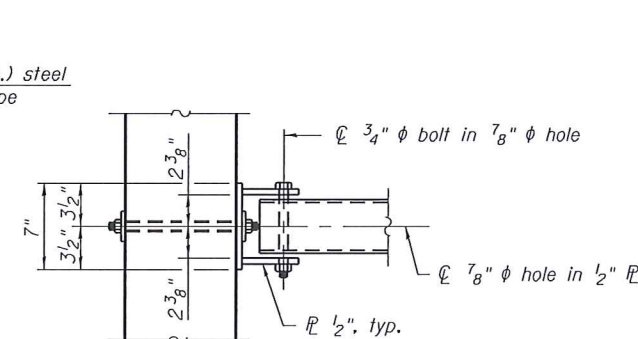
BAR s2

TOTAL BILL OF MATERIAL

Bar	No.	Size	Length	Shape		
a	41	#4	4'-9"	U		
a1	23	#4	3'-9"	U		
a2	24	#4	3'-9"	U		
a3	1	#4	3'-10"	U		
d	4	#4	4'-6"	L		
d1	16	#4	5'-8"	L		
h	33	#4	7'-9"	U		
h1	8	#4	20'-6"	U		
h2	11	#4	7'-10"	U		
h3	22	#4	10'-10"	U		
h4	2	#6	3'-3"	U		
h5	20	#6	3'-9"	U		
h6	8	#4	9'-1"	U		
h7	14	#4	9'-4"	U		
h8	4	#4	5'-1"	U		
s	15	#4	4'-5"	U		
s1	5	#4	4'-7"	U		
s2	5	#4	3'-7"	U		
u	6	#4	10'-1"	U		
v	50	#4	3'-11"	U		
v1	14	#4	7'-0"	U		
Concrete Box Culverts					Cu. Yd.	10.8
Reinforcement Bars					Pound	1410
3/4" Expansion Bolts					Each	16
Concrete Removal					Cu. Yd.	2.0
Controlled Low-Strength Material					Cu. Yd.	7.1
Traversable Pipe Grate					Foot	6



DETAIL A



VIEW A-A

FILE NAME = 157-19.02-76789-003.dgn



USER NAME =
Illinois Design Firm Number 184.001670
PLOT SCALE =
PLOT DATE = 4:05:42 PM 8/8/2014

DESIGNED - JD
CHECKED - BB
DRAWN - EW
CHECKED - CJF

REVISED -
REVISED -
REVISED -
REVISED -

STATE OF ILLINOIS
DEPARTMENT OF TRANSPORTATION

BOX CULVERT EXTENSION DETAILS
STA 157+19.02

SHEET NO. 3 OF 3 SHEETS

F.A.S. RTE.	SECTION	COUNTY	TOTAL SHEETS	SHEET NO.
752	101-2RS-1	JERSEY	438	206
				CONTRACT NO. 76789
ILLINOIS FED. AID PROJECT				