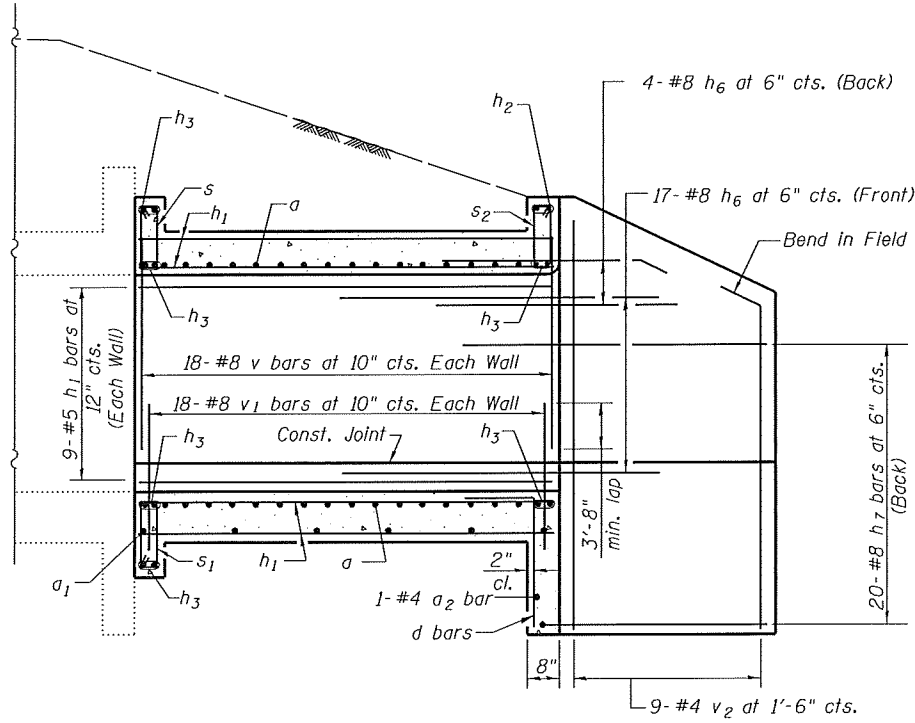
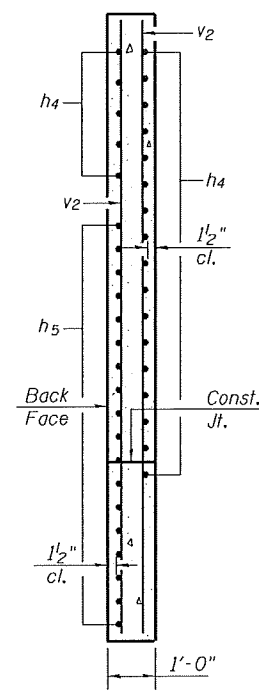


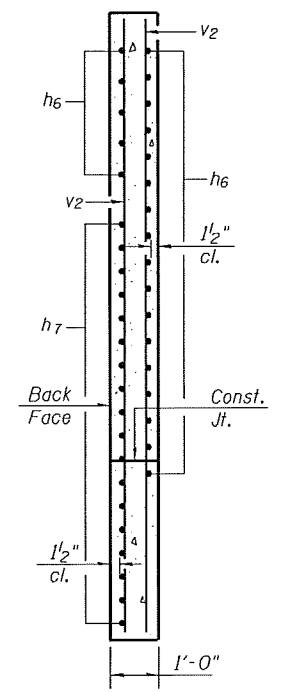
LEFT EXTENSION



RIGHT EXTENSION

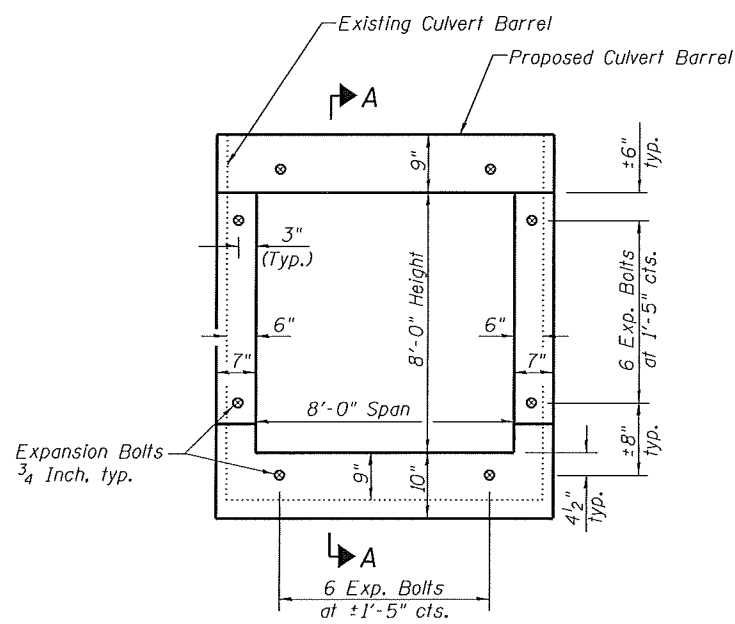


SECTION C-C



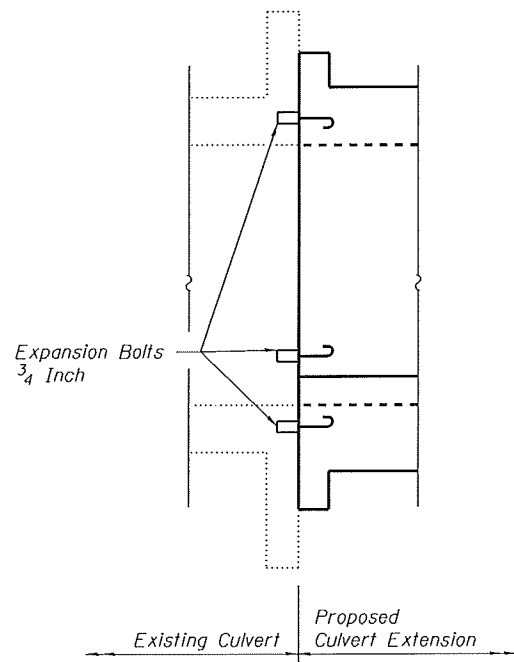
SECTION D-D

ELEVATION
Dimensions at Rt. L's to \varnothing Roadway

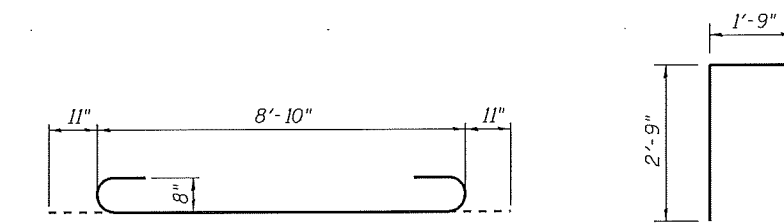


EXPANSION BOLT LAYOUT

Note - Expansion Bolts shall be $\frac{3}{4}$ " hooked bolts. Hooked bolts shall extend a minimum of 9" into the new concrete

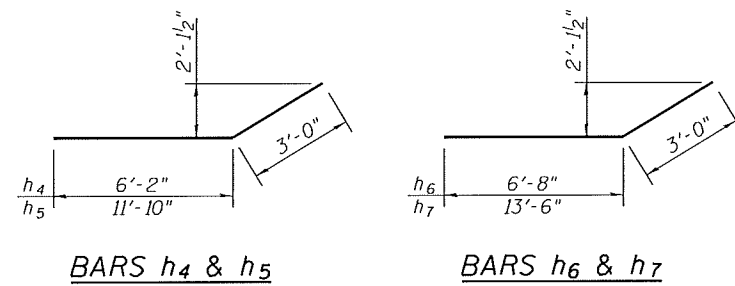


SECTION A-A



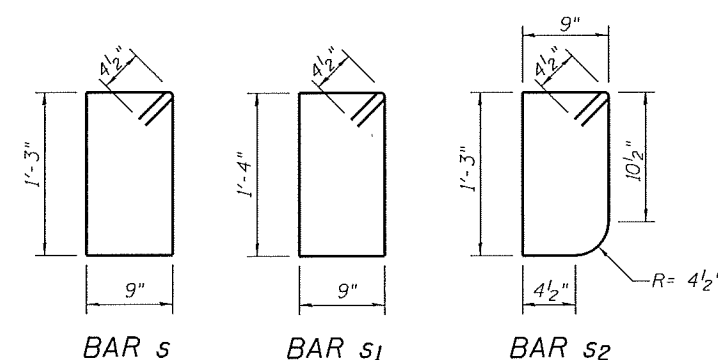
BAR a

BAR d



BARS h4 & h5

BARS h6 & h7



BAR s

BAR s1

BAR s2

TOTAL BILL OF MATERIAL

Bar	No.	Size	Length	Shape
a	50	#8	10'-8"	
a1	13	#4	8'-10"	
a2	2	#4	9'-4"	
d	18	#4	4'-6"	
h	55	#5	7'-9"	
h1	55	#5	13'-9"	
h2	4	#8	8'-8"	
h3	24	#8	8'-11"	
h4	44	#8	9'-2"	
h5	36	#8	14'-10"	
h6	42	#8	9'-8"	
h7	40	#8	16'-6"	
s	30	#4	4'-9"	
s1	20	#4	4'-11"	
s2	10	#4	4'-7"	
v	62	#8	8'-0"	
v1	62	#8	5'-0"	
v2	38	#4	12'-2"	
Reinforcement Bars			Pound	11,470
Expansion Bolts $\frac{3}{4}$ Inch			Each	48
Concrete Box Culverts			Cu. Yd.	43.1
Epoxy Crack Injection			Foot	26

FILE NAME = 217-14-99-76785-003.dgn