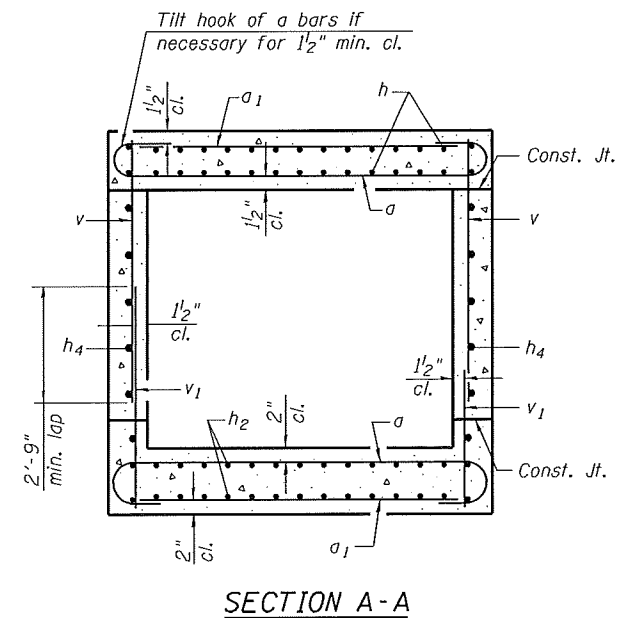
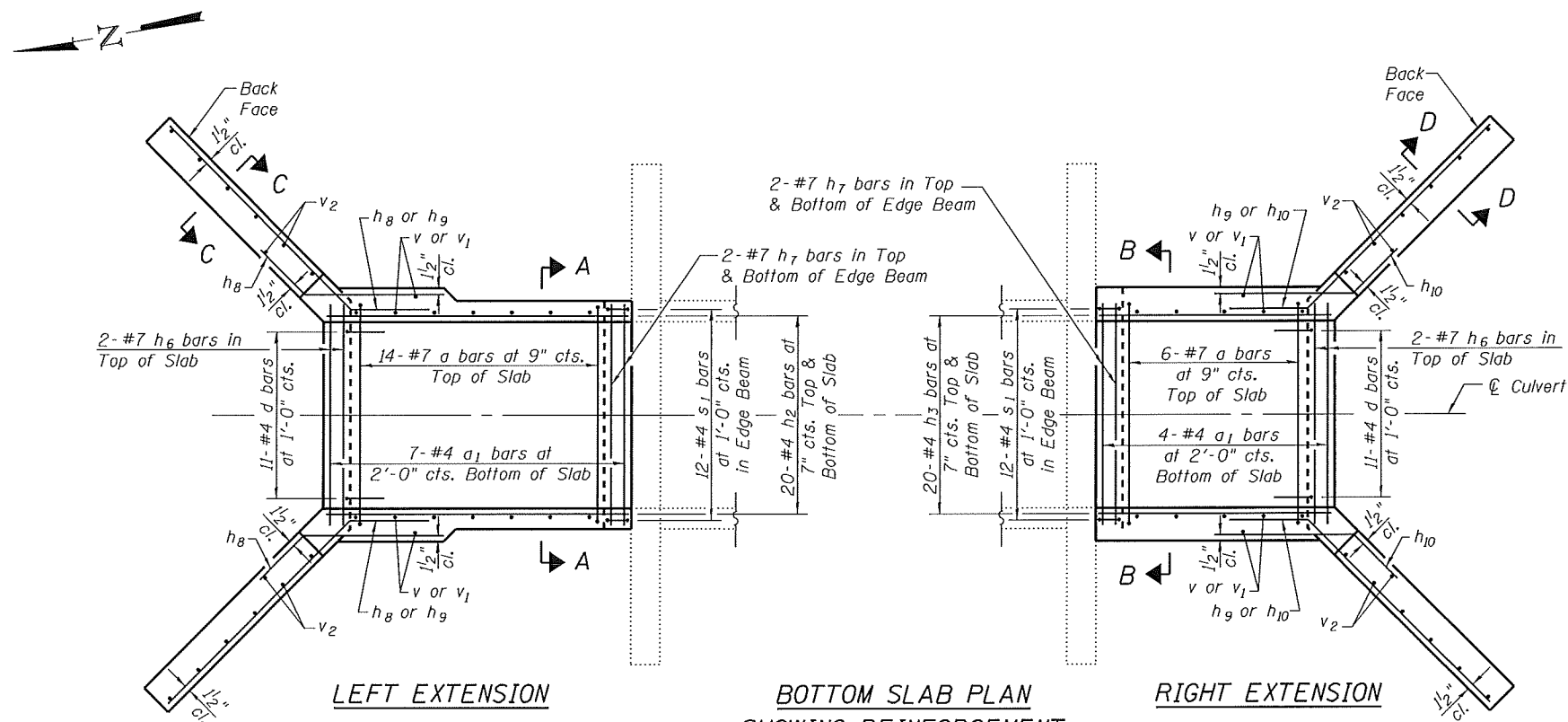


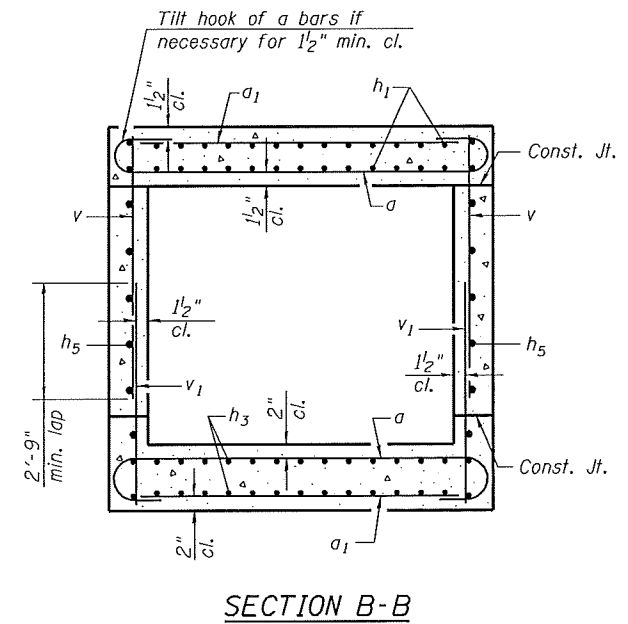
**TOP SLAB PLAN
SHOWING REINFORCEMENT**
(v, v₁, h₈ & h₉ bars not shown for clarity)



SECTION A-A



**BOTTOM SLAB PLAN
SHOWING REINFORCEMENT**



SECTION B-B

Notes:
For Section C-C see sheet 3 of 3.
For Section D-D see sheet 3 of 3.
For Bar Bends and Total Bill of Material see sheet 3 of 3.

FILE NAME = 234*34*89-76789-002.dgn



USER NAME = jdrinkeimann	DESIGNED - JD	REVISED -
Illinois Design Firm Number 184.001670	CHECKED - BB	REVISED -
PLOT SCALE =	DRAWN - WS	REVISED -
PLOT DATE = 8/8/2014	CHECKED - CJF	REVISED -

**STATE OF ILLINOIS
DEPARTMENT OF TRANSPORTATION**

**BOX CULVERT EXTENSION DETAILS
STRUCTURE NUMBER 042-2472**

SHEET NO. 2 OF 3 SHEETS

F.A.S. RTE.	SECTION	COUNTY	TOTAL SHEETS	SHEET NO.
752	101-2RS-1	JERSEY	438	219
			CONTRACT NO. 76789	
ILLINOIS FED. AID PROJECT				