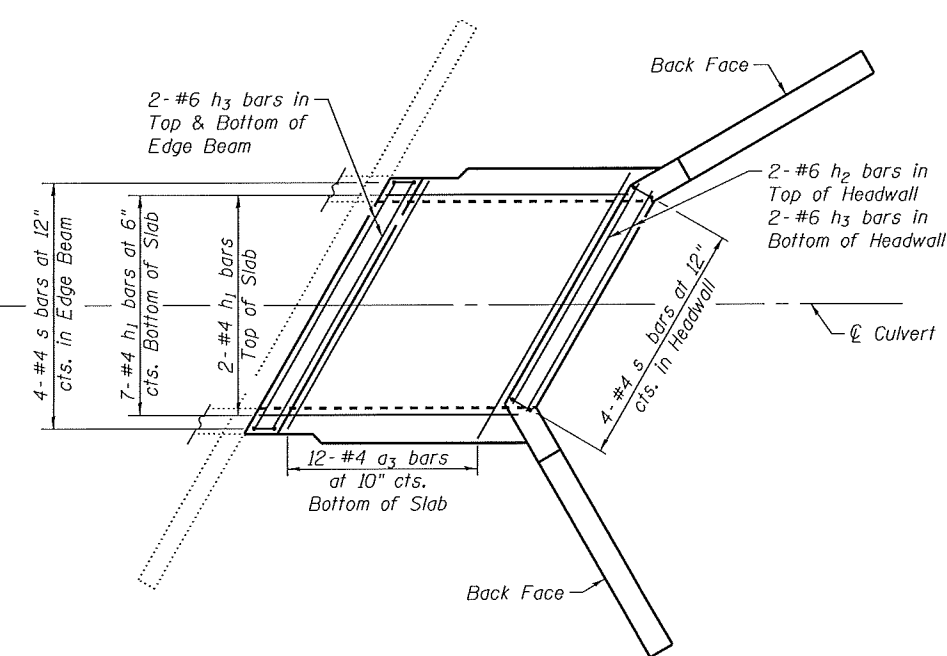


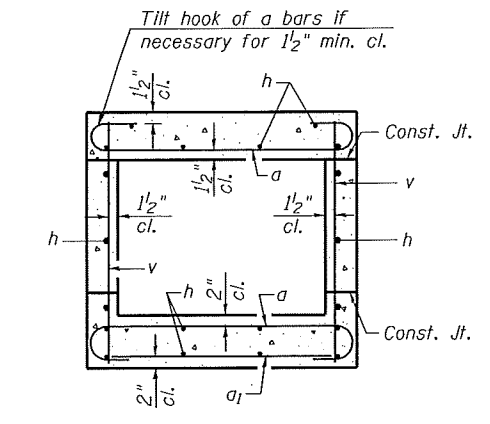
LEFT EXTENSION

TOP SLAB PLAN

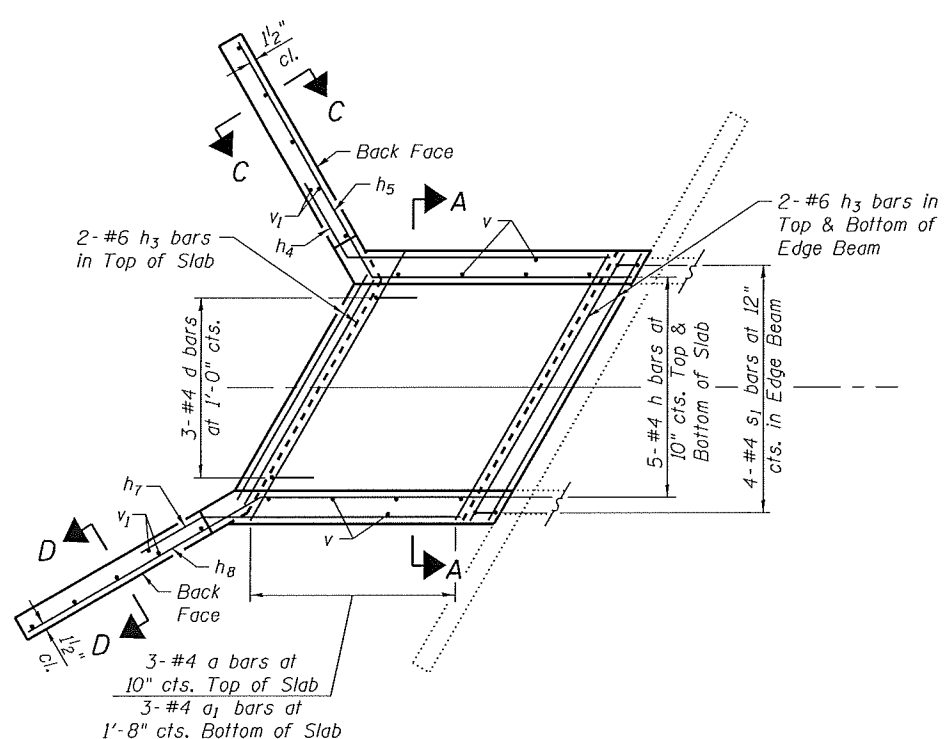
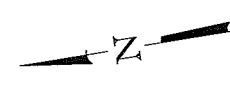
SHOWING REINFORCEMENT
(v, h4 & h5 bars not shown for clarity)



RIGHT EXTENSION



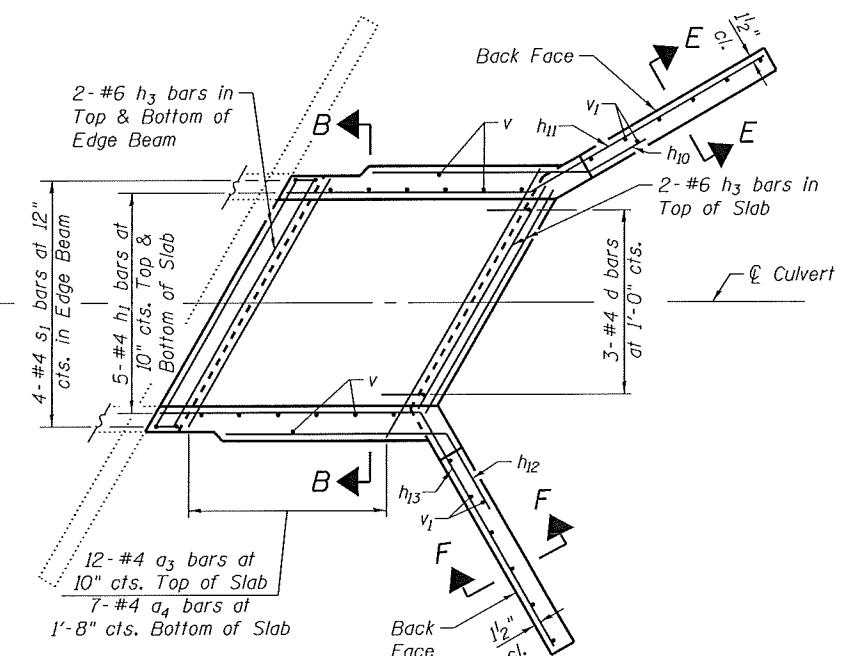
SECTION A-A



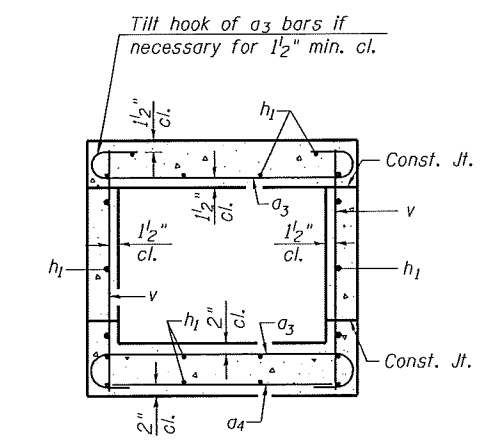
LEFT EXTENSION

BOTTOM SLAB PLAN

SHOWING REINFORCEMENT



RIGHT EXTENSION



SECTION B-B

Notes:
For Section C-C, D-D, E-E, and F-F see sheet 3 of 3
For Elevation, Bar Bends and Total Bill of Material see sheet 3 of 3.

FILE NAME = 321+53.05-76789-002.dgn



USER NAME =	DESIGNED - JD	REVISED -
Illinois Design Firm Number 184.001670	CHECKED - BB	REVISED -
PLOT SCALE =	DRAWN - EW	REVISED -
PLOT DATE = 4/10/04 PM 8/8/2014	CHECKED - CJF	REVISED -

STATE OF ILLINOIS
DEPARTMENT OF TRANSPORTATION

BOX CULVERT EXTENSION DETAILS
STA 321+53.05
SHEET NO. 2 OF 3 SHEETS

F.A.S. RTE.	SECTION	COUNTY	TOTAL SHEETS	SHEET NO.
752	101-2RS-1	JERSEY	438	235
CONTRACT NO. 76789			ILLINOIS FED. AID PROJECT	