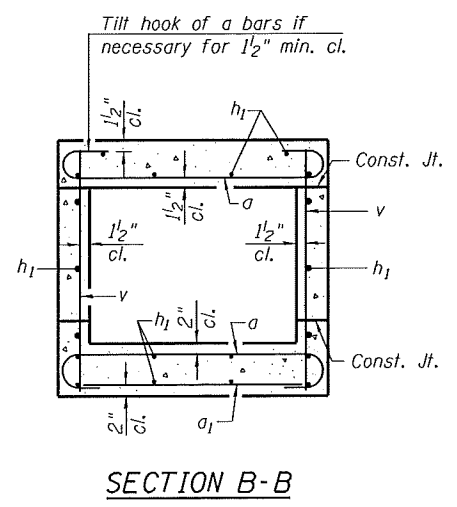
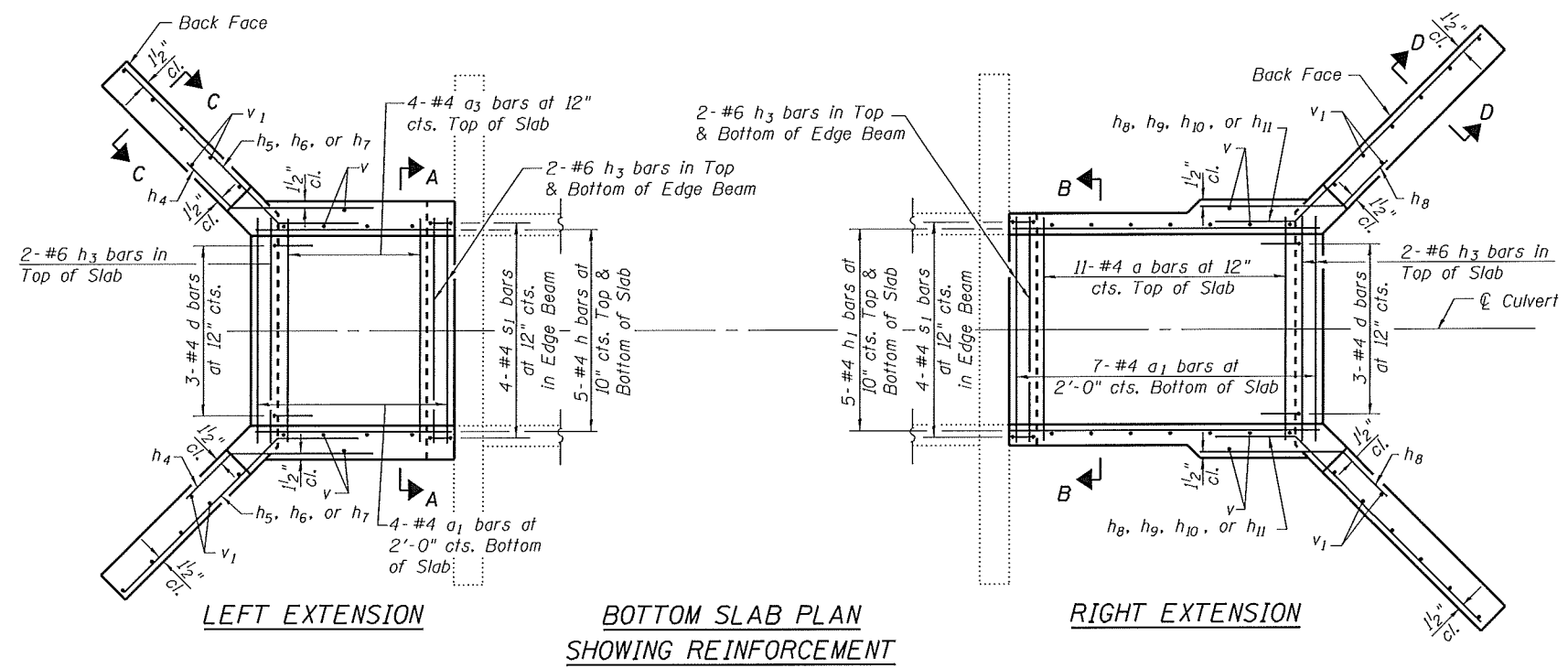
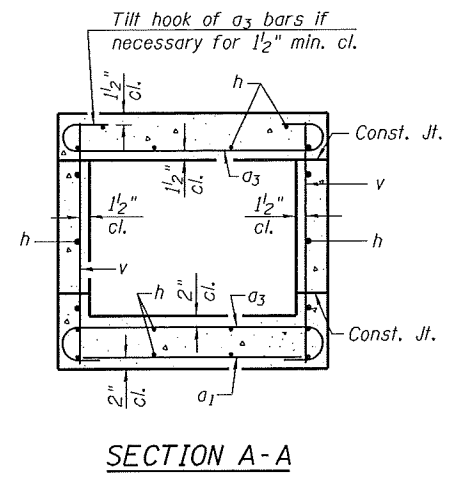


(v, v₁, h₄, h₅, h₆, h₇, h₈, h₉, h₁₀, & h₁₁ bars not shown for clarity)



Notes:
 For Sections C-C and D-D, see sheet 3 of 3.
 For Elevation, Bar Bends and Total Bill of Material see sheet 3 of 3.

FILE NAME = 326+74.64-76789-002.dgn



USER NAME = jdirkelmann
 Illinois Design Firm Number 184.001670
 PLOT SCALE =
 PLOT DATE = 8/8/2014

DESIGNED - JD
 CHECKED - BB
 DRAWN - WS
 CHECKED - CJF

REVISED -
 REVISED -
 REVISED -
 REVISED -

STATE OF ILLINOIS
 DEPARTMENT OF TRANSPORTATION

BOX CULVERT EXTENSION DETAILS
 STATION 326 + 74.64

SHEET NO. 2 OF 3 SHEETS

F.A.S. RTE.	SECTION	COUNTY	TOTAL SHEETS	SHEET NO.
752	101-2RS-1	JERSEY	438	238
CONTRACT NO. 76789				
ILLINOIS FED. AID PROJECT				