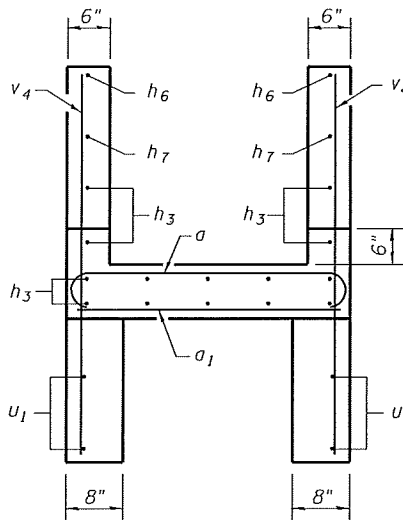
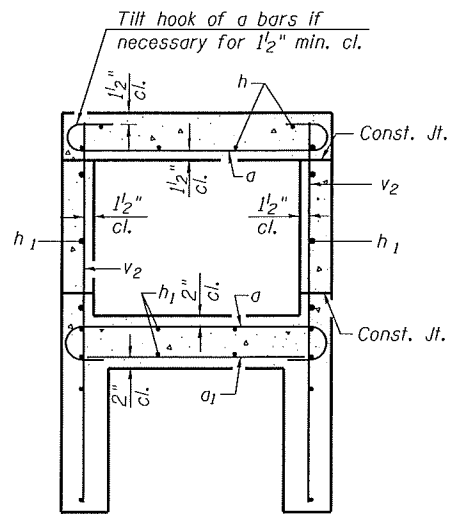


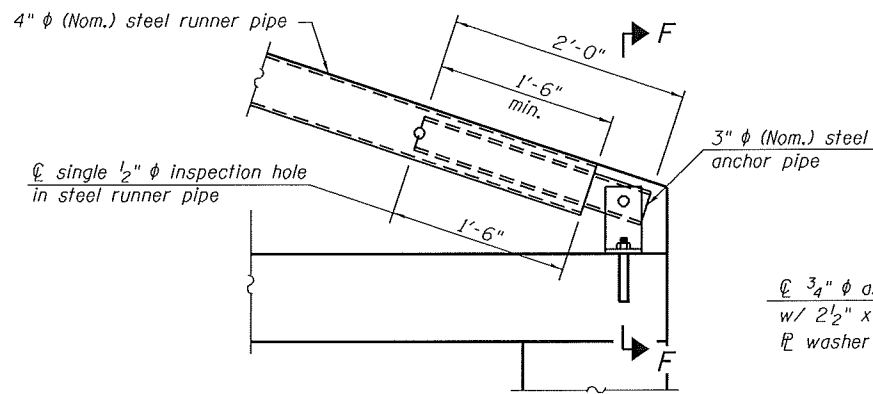
SECTION A-A



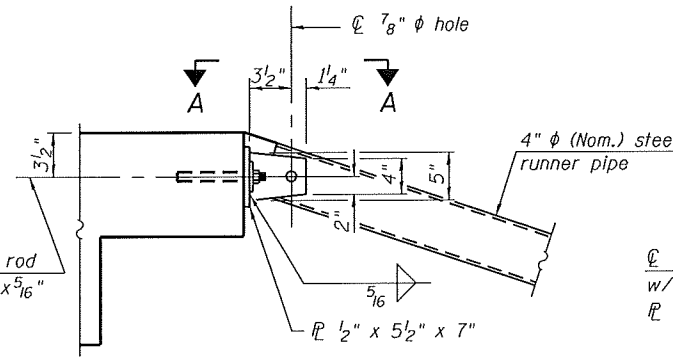
SECTION B-B



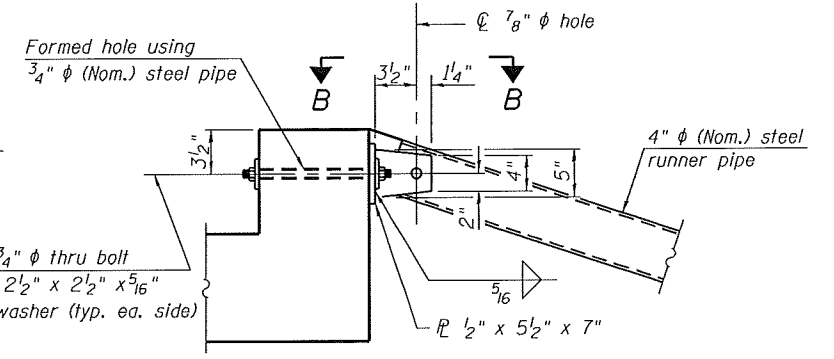
SECTION C-C



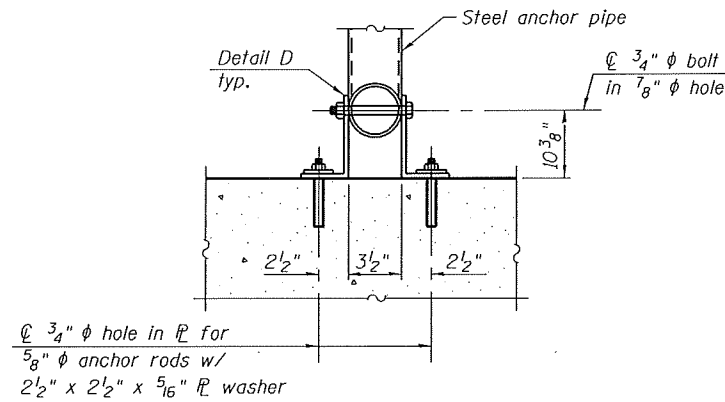
DETAIL A



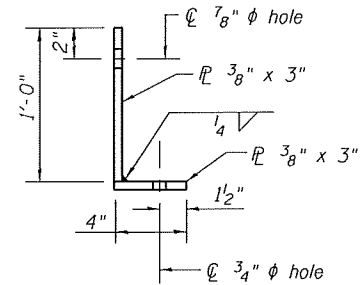
DETAIL B



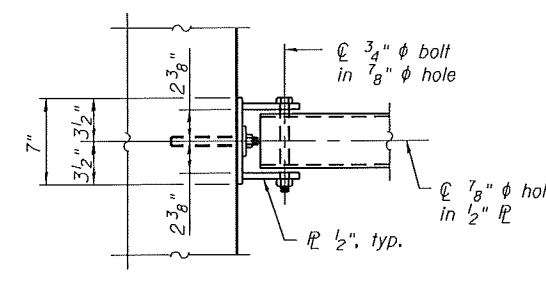
DETAIL C



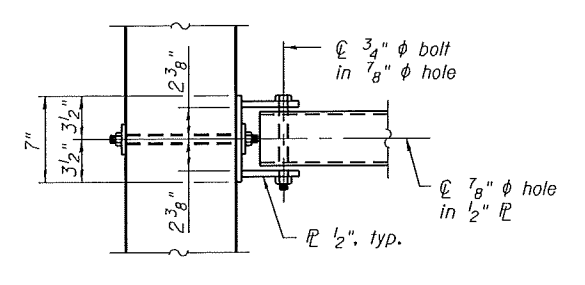
SECTION F-F



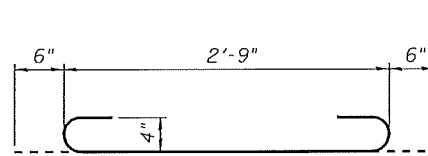
DETAIL D



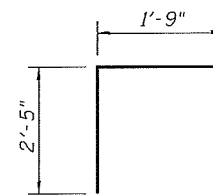
VIEW A-A



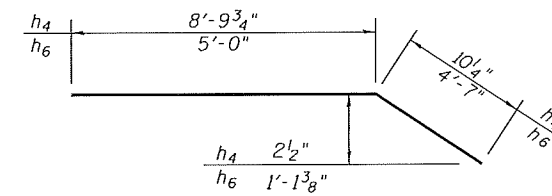
VIEW B-B



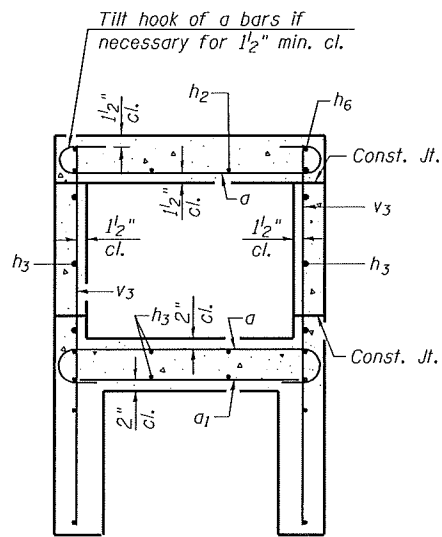
BAR a



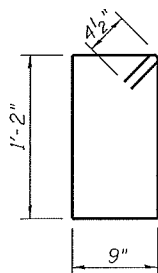
BAR d



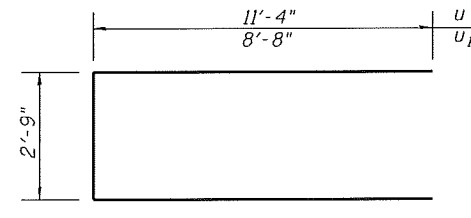
BARS h4 & h6



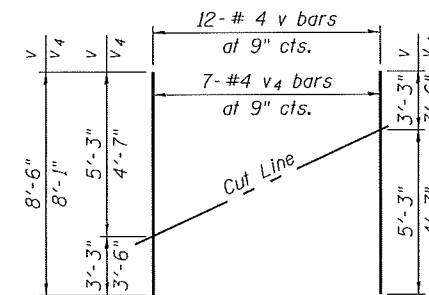
SECTION D-D



BAR s



BARS u & u1



FIELD CUTTING DIAGRAM

Order v & v4 bars full length. Cut as shown and use remainder of bars in opposite wall.

TOTAL BILL OF MATERIAL

Bar	No.	Size	Length	Shape
a	57	#4	3'-9"	
a1	15	#4	2'-9"	
d	8	#4	4'-2"	
h	10	#4	3'-6"	
h1	14	#4	11'-5"	
h2	8	#4	4'-6"	
h3	14	#4	8'-9"	
h4	2	#4	9'-8"	
h5	2	#4	8'-4"	
h6	2	#4	9'-7"	
h7	2	#4	6'-6"	
h8	4	#6	2'-9"	
h9	2	#4	3'-5"	
s	3	#4	4'-7"	
u	2	#4	25'-5"	
u1	2	#4	20'-1"	
v	12	#4	8'-6"	
v1	4	#4	5'-4"	
v2	6	#4	4'-7"	
v3	12	#4	4'-8"	
v4	7	#4	8'-1"	
Concrete Removal			Cu. Yd.	0.5
Reinforcement Bars			Pound	750
Expansion Bolts 3/4 Inch			Each	8
Concrete Box Culverts			Cu. Yd.	5.9
Traversable Pipe Grate			Foot	14

FILE NAME = 335-54-73-76789-083.dgn



USER NAME = jdukelmann
 Illinois Design Firm Number 184.001670
 PLOT SCALE =
 PLOT DATE = 8/8/2014

DESIGNED - JD
 CHECKED - BB
 DRAWN - WS
 CHECKED - CJF

REVISED -
 REVISED -
 REVISED -
 REVISED -

STATE OF ILLINOIS
 DEPARTMENT OF TRANSPORTATION

BOX CULVERT EXTENSION DETAILS
 STATION 335 + 54.73

SHEET NO. 3 OF 3 SHEETS

F.A.S. RTE.	SECTION	COUNTY	TOTAL SHEETS	SHEET NO.
752	101-2RS-1	JERSEY	438	242
CONTRACT NO. 76789			ILLINOIS FED. AID PROJECT	