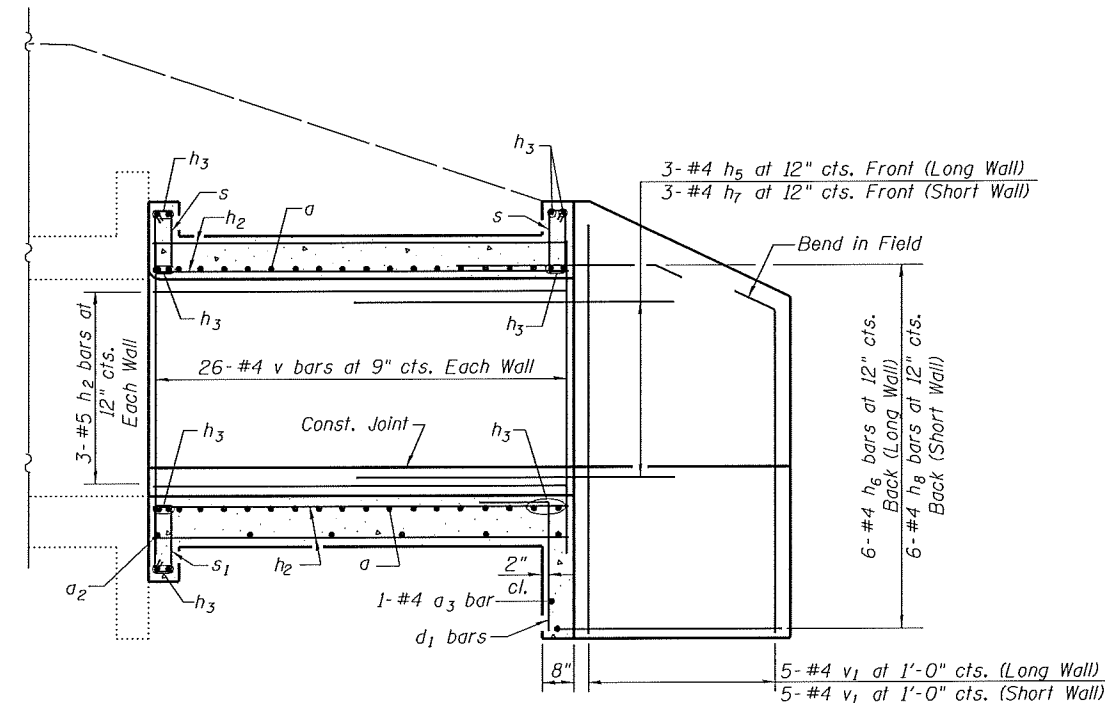
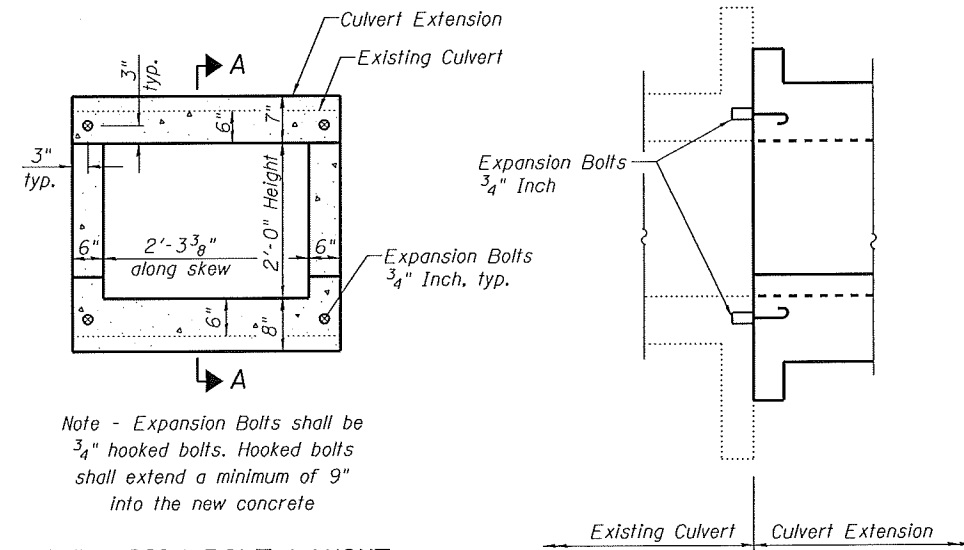


LEFT EXTENSION



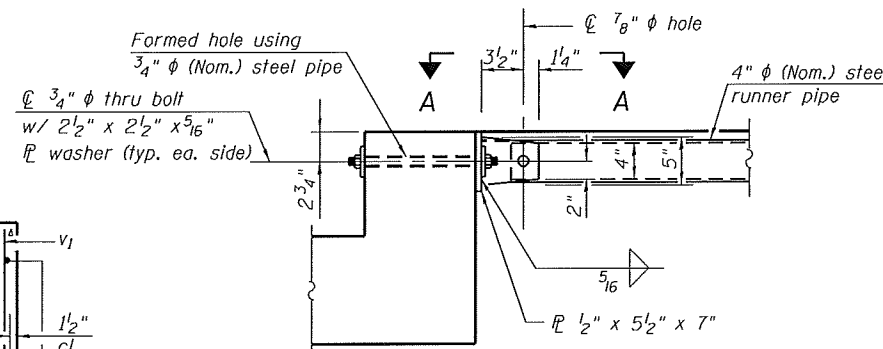
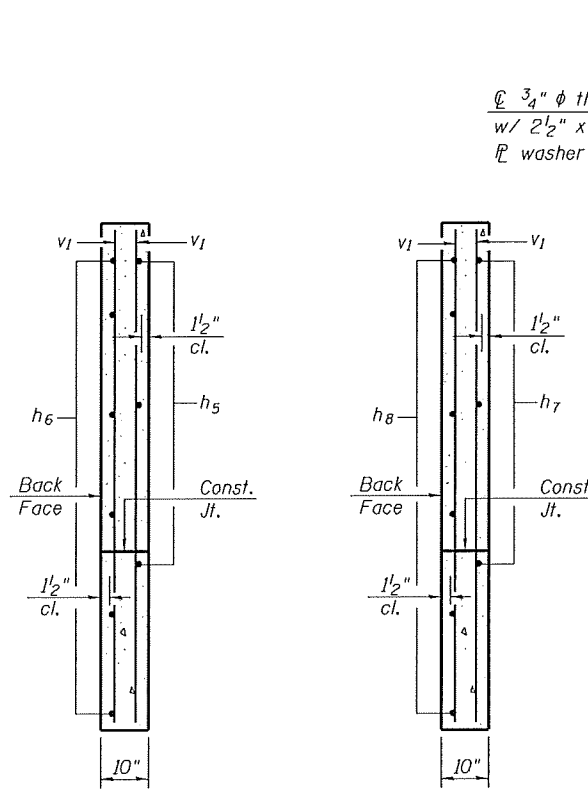
RIGHT EXTENSION

ELEVATION

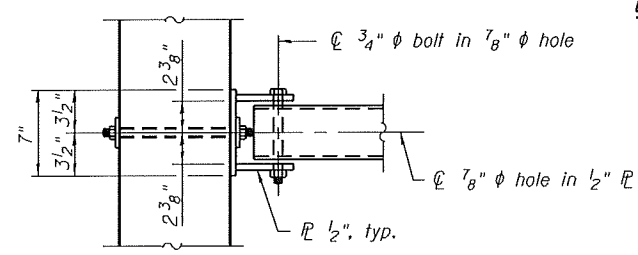


EXPANSION BOLT LAYOUT

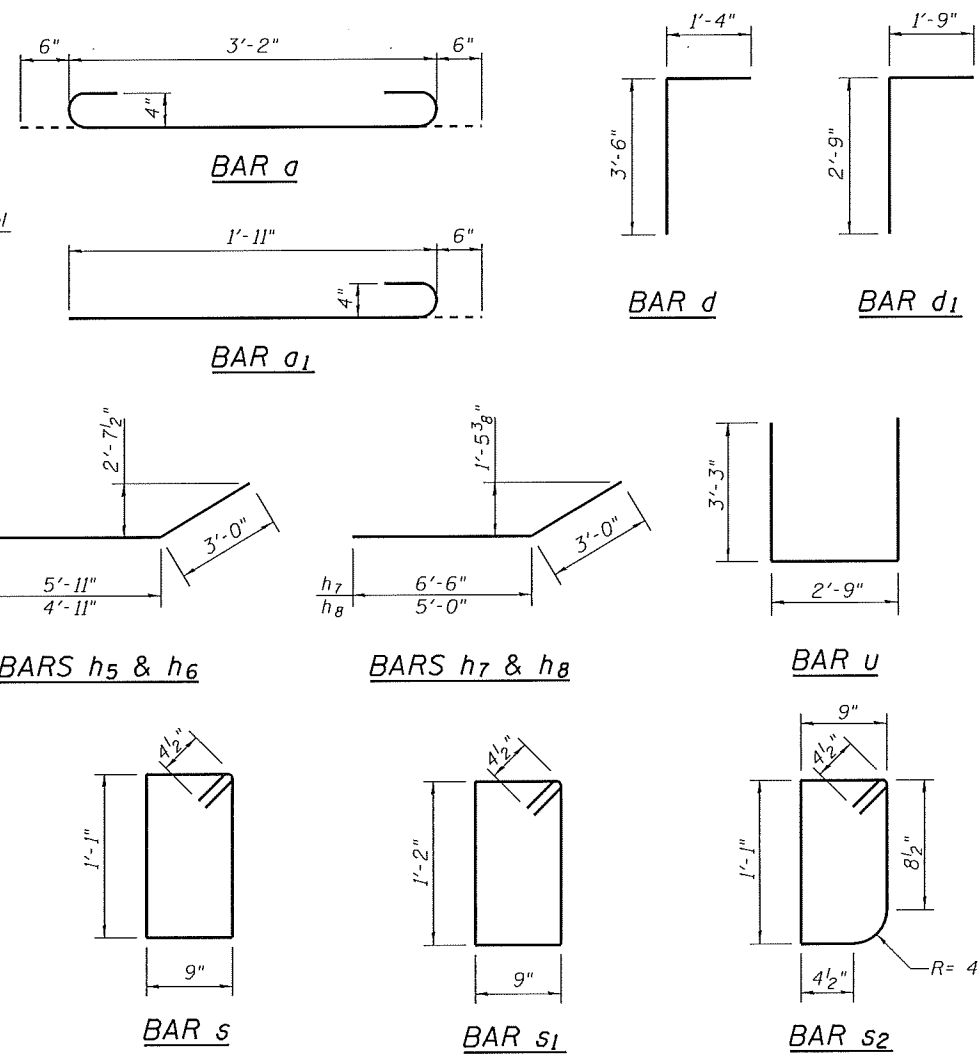
SECTION A-A



DETAIL A



VIEW A-A



TOTAL BILL OF MATERIAL

Bar	No.	Size	Length	Shape
a	129	#4	4'-2"	U
a <sub>1</sub>	4	#4	2'-5"	U
a <sub>2</sub>	24	#4	3'-2"	—
a <sub>3</sub>	1	#4	3'-6"	—
d	15	#4	4'-10"	—
d <sub>1</sub>	3	#4	4'-6"	—
h	14	#5	8'-7"	—
h <sub>1</sub>	28	#5	10'-4"	—
h <sub>2</sub>	21	#5	18'-8"	—
h <sub>3</sub>	22	#6	3'-1"	—
h <sub>4</sub>	4	#6	2'-9"	—
h <sub>5</sub>	3	#4	8'-11"	—
h <sub>6</sub>	6	#4	7'-11"	—
h <sub>7</sub>	3	#4	9'-6"	—
h <sub>8</sub>	6	#4	8'-0"	—
s	12	#4	4'-5"	—
s <sub>1</sub>	8	#4	4'-7"	—
s <sub>2</sub>	4	#4	4'-3"	—
u	5	#4	9'-3"	—
v	96	#4	2'-11"	—
v <sub>1</sub>	12	#4	6'-0"	—
Concrete Box Culverts			Cu. Yd.	10.5
Reinforcement Bars			Pound	1870
Expansion Bolts 3/4" Inch			Each	8
Traversable Pipe Grate			Foot	3

FILE NAME = 343-84.53-76789-003.dgn



USER NAME = jdnkeimann	DESIGNED - JD	REVISED -
Illinois Design Firm Number 184.001670	CHECKED - BB	REVISED -
PLOT SCALE =	DRAWN - EW	REVISED -
PLOT DATE = 8/8/2014	CHECKED - CJF	REVISED -

STATE OF ILLINOIS  
 DEPARTMENT OF TRANSPORTATION

BOX CULVERT EXTENSION DETAILS  
 STATION 343+84.53

SHEET NO. 3 OF 3 SHEETS

F.A.S. RTE. 752	SECTION 101-2RS-1	COUNTY JERSEY	TOTAL SHEETS 438	SHEET NO. 245
ILLINOIS FED. AID PROJECT			CONTRACT NO. 76789	