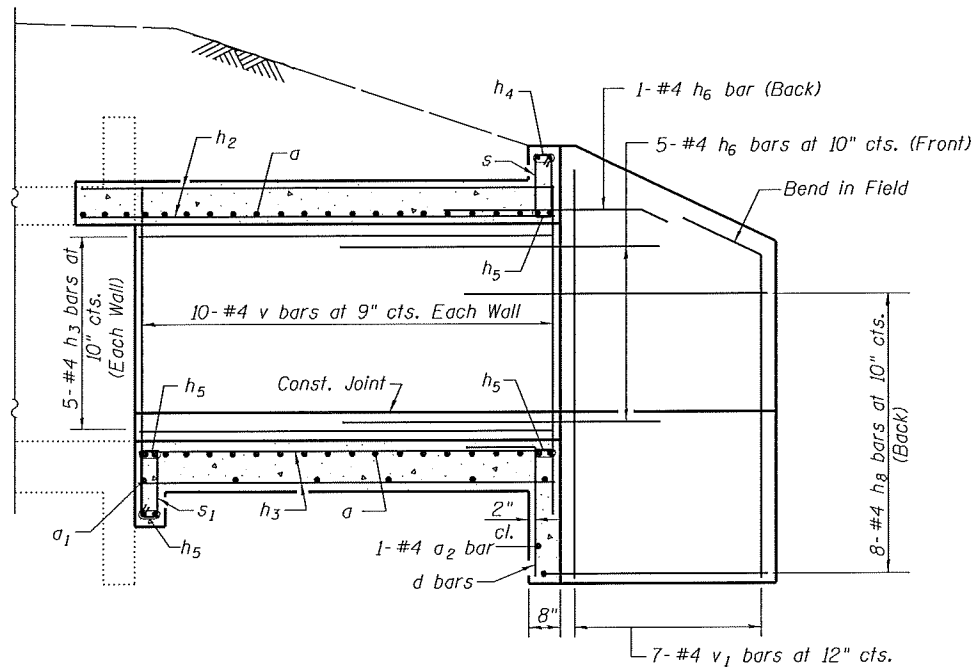
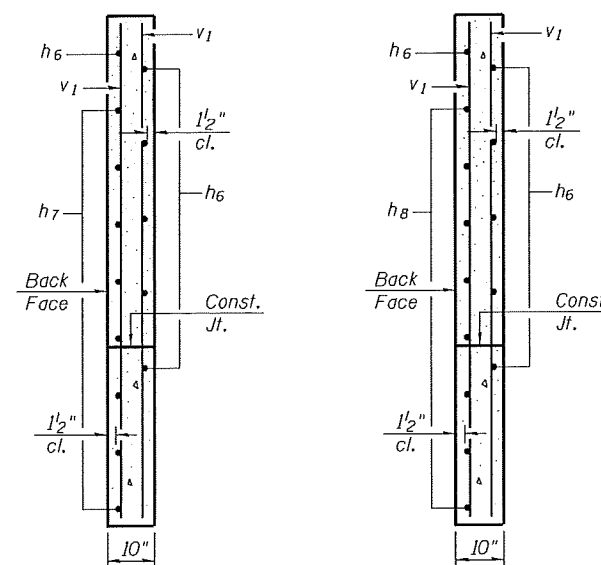


LEFT EXTENSION



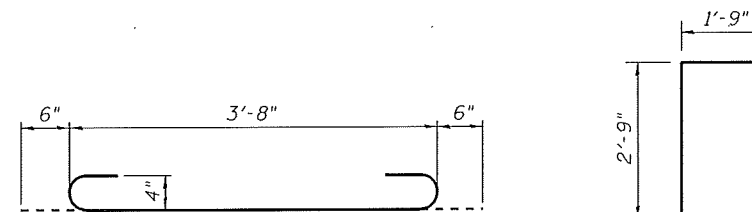
RIGHT EXTENSION



SECTION C-C

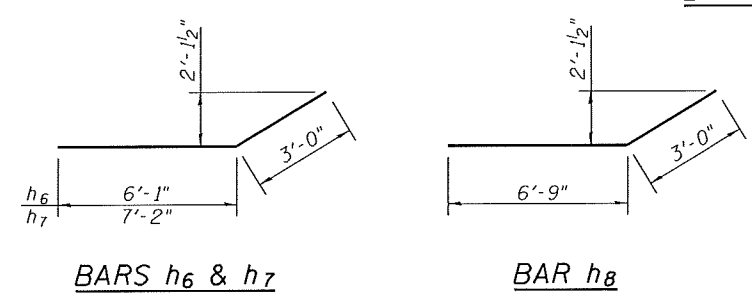
SECTION D-D

ELEVATION



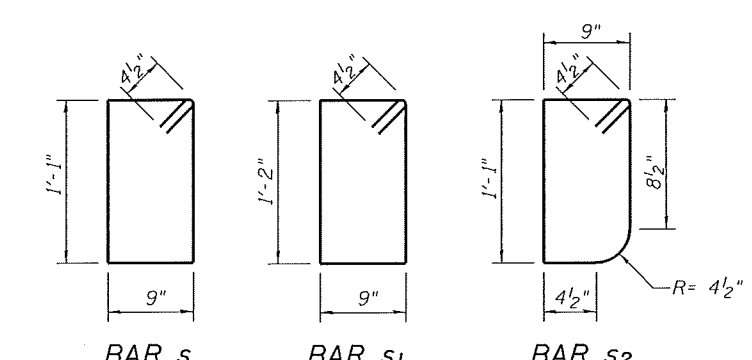
BAR a

BAR d



BARS h6 & h7

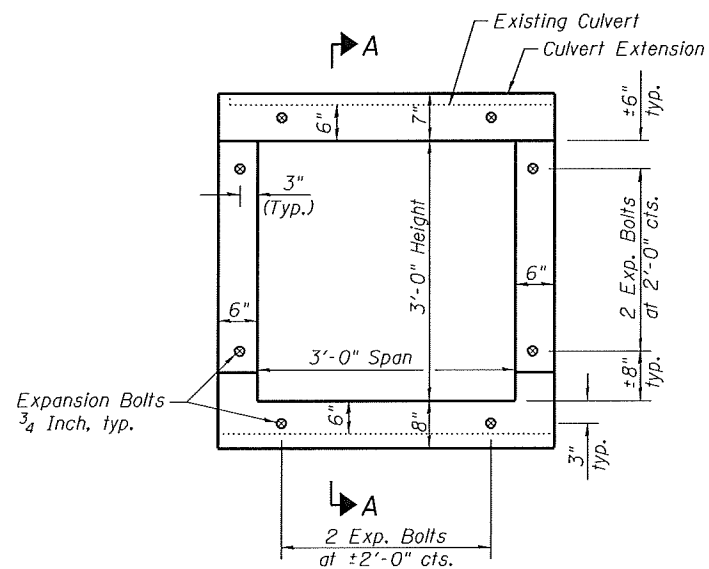
BAR h8



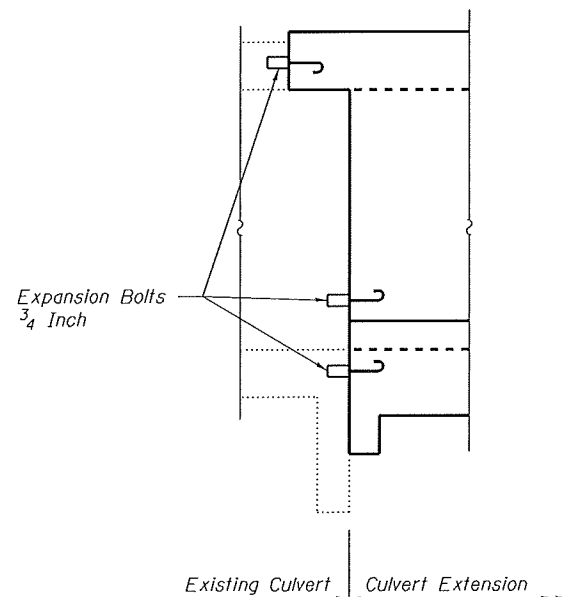
BAR s

BAR s1

BAR s2



EXPANSION BOLT LAYOUT



SECTION A-A

TOTAL BILL OF MATERIAL

Bar	No.	Size	Length	Shape
a	44	#4	4'-8"	⌋
a1	10	#4	3'-8"	—
a2	2	#4	3'-10"	—
d	8	#4	4'-6"	⌋
h	10	#4	8'-6"	—
h1	20	#4	7'-8"	—
h2	10	#4	7'-6"	—
h3	20	#4	6'-8"	—
h4	4	#6	3'-3"	—
h5	16	#6	3'-9"	—
h6	24	#4	9'-1"	⌋
h7	16	#4	10'-2"	⌋
h8	16	#4	9'-9"	⌋
s	5	#4	4'-5"	⌋
s1	10	#4	4'-7"	⌋
s2	5	#4	4'-3"	⌋
v	48	#4	3'-11"	—
v1	32	#4	7'-0"	—
Concrete Removal			Cu. Yd.	1.9
Rock Excavation for Structures			Cu. Yd.	4.6
Reinforcement Bars			Pound	1300
Expansion Bolts 3/4 Inch			Each	16
Concrete Box Culverts			Cu. Yd.	9.7

FILE NAME = 371+04.61-76785-003.dgn



USER NAME = jdrinkeImann	DESIGNED - JD	REVISED -
Illinois Design Firm Number 184.001670	CHECKED - BB	REVISED -
PLOT SCALE =	DRAWN - WS	REVISED -
PLOT DATE = 8/8/2014	CHECKED - CJF	REVISED -

STATE OF ILLINOIS  
DEPARTMENT OF TRANSPORTATION

BOX CULVERT EXTENSION DETAILS  
STATION 371+04.61

SHEET NO. 3 OF 3 SHEETS

F.A.S. RTE. 752	SECTION 101-2RS-1	COUNTY JERSEY	TOTAL SHEETS 438	SHEET NO. 259
CONTRACT NO. 76789			ILLINOIS FED. AID PROJECT	