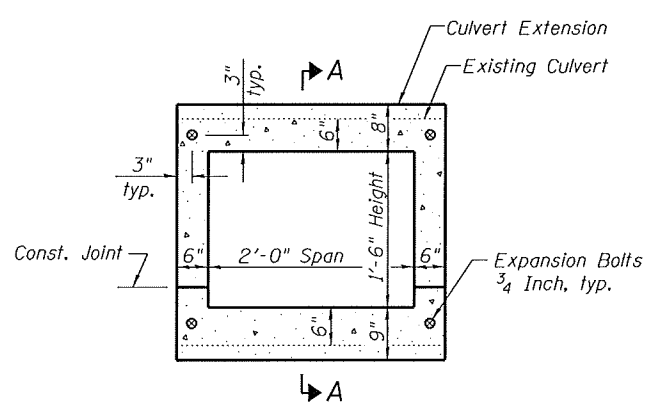
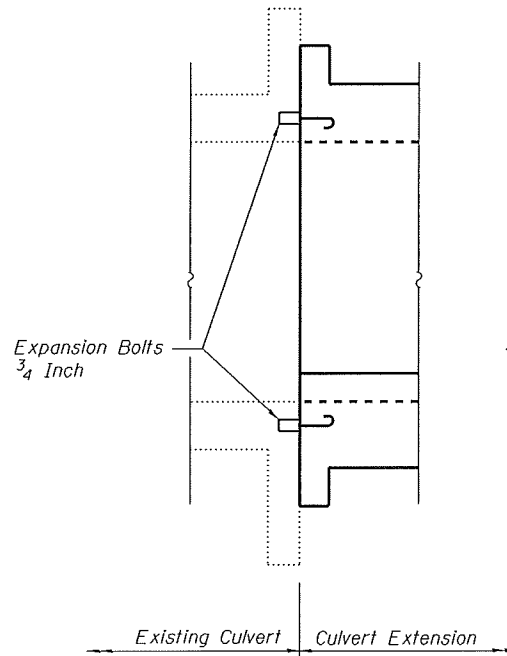


ELEVATION.

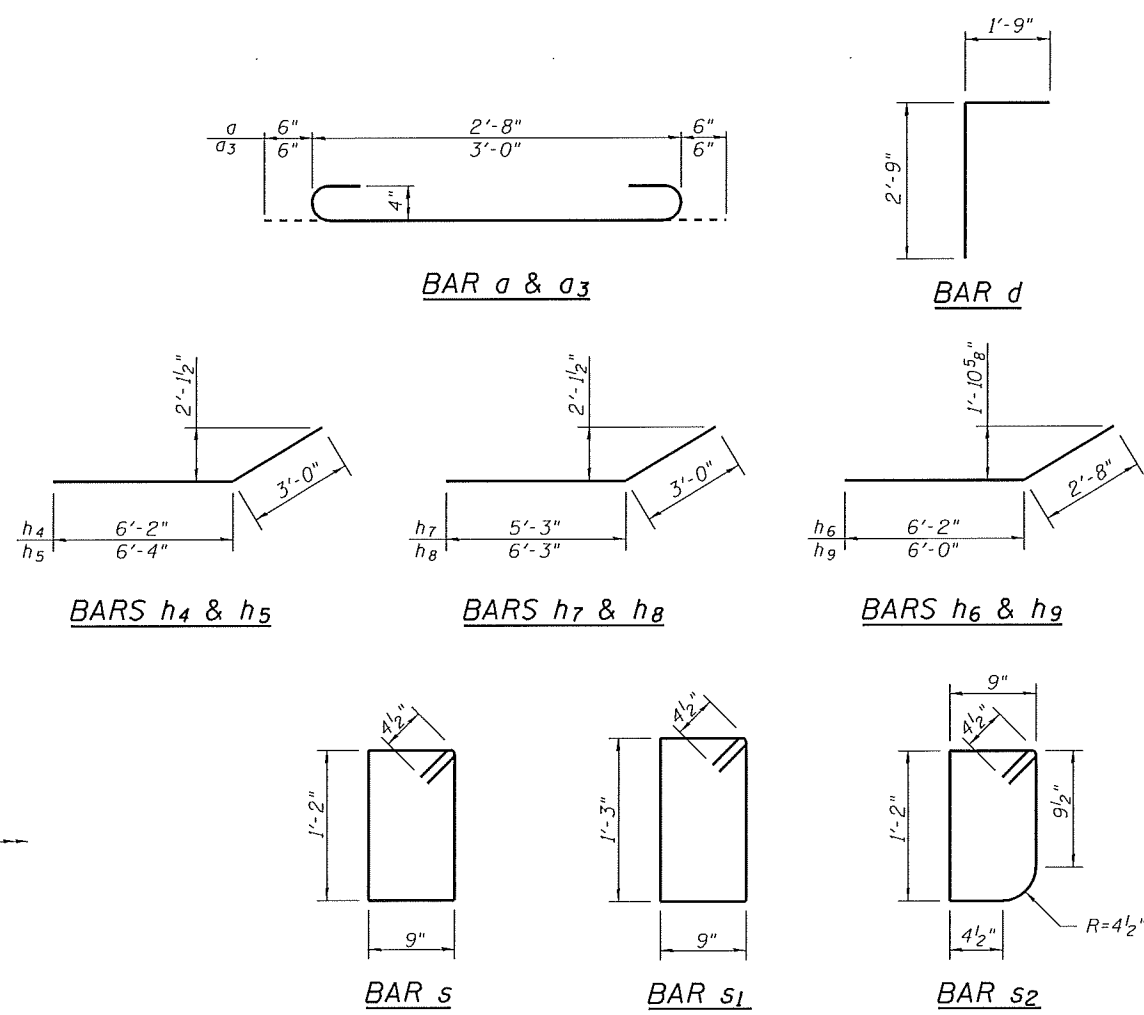


EXPANSION BOLT LAYOUT

Note:  
Expansion Bolts shall be 3/4\"/>



SECTION A-A



TOTAL BILL OF MATERIAL

Bar	No.	Size	Length	Shape
a	22	#4	3'-8"	U
a1	7	#4	2'-8"	—
a2	2	#4	2'-5"	—
a3	8	#4	4'-0"	U
a4	4	#4	3'-0"	—
d	6	#4	4'-6"	L
h	25	#4	4'-8"	—
h1	25	#4	11'-8"	—
h2	4	#6	1'-10"	—
h3	8	#6	2'-9"	—
h4	14	#4	9'-2"	—
h5	8	#4	9'-4"	—
h6	8	#4	8'-10"	—
h7	12	#4	8'-3"	—
h8	10	#4	9'-3"	—
h9	8	#4	8'-8"	—
h10	16	#6	3'-1"	—
s	12	#4	4'-7"	—
s1	8	#4	4'-9"	—
s2	4	#4	4'-5"	—
v	54	#4	2'-8"	—
v1	24	#4	5'-8"	—
Reinforcement Bars			Pound	1130.0
Expansion Bolts 3/4 Inch			Each	8
Concrete Box Culverts			Cu. Yd.	8.4

FILE NAME = 379+24.68-76789-003.dgn



USER NAME = jdrinkelmann  
 Illinois Design Firm Number 184.001670  
 PLOT SCALE =  
 PLOT DATE = 8/8/2014

DESIGNED - JD  
 CHECKED - BB  
 DRAWN - WS  
 CHECKED - CJF

REVISED -  
 REVISED -  
 REVISED -  
 REVISED -

STATE OF ILLINOIS  
 DEPARTMENT OF TRANSPORTATION

BOX CULVERT EXTENSION DETAILS  
 STATION 379+24.68

SHEET NO. 3 OF 3 SHEETS

F.A.S. RTE.	SECTION	COUNTY	TOTAL SHEETS	SHEET NO.
752	101-2RS-1	JERSEY	423	262
CONTRACT NO. 76789			ILLINOIS FED. AID PROJECT	