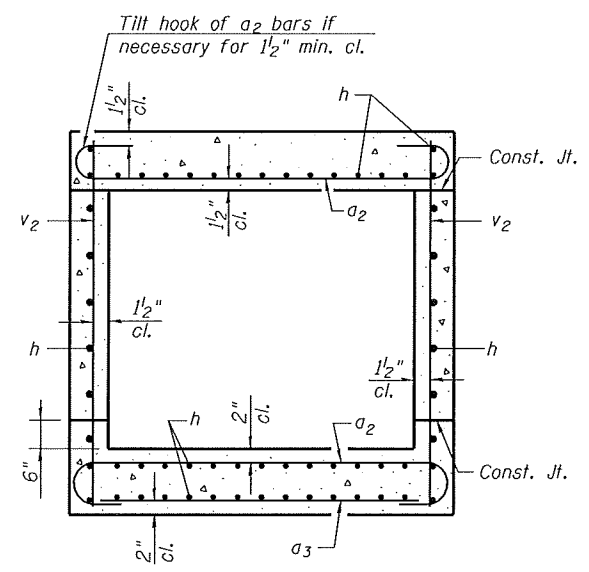
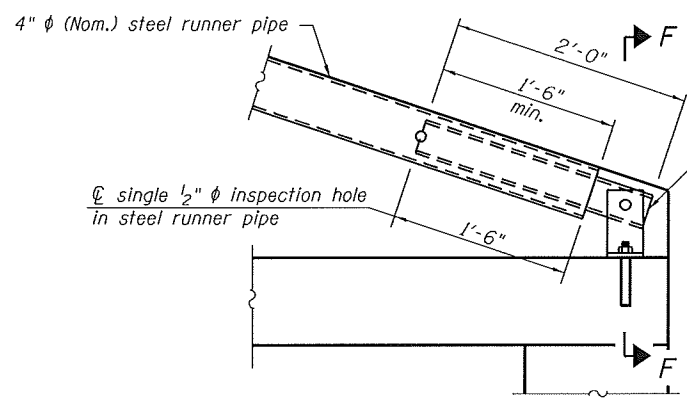


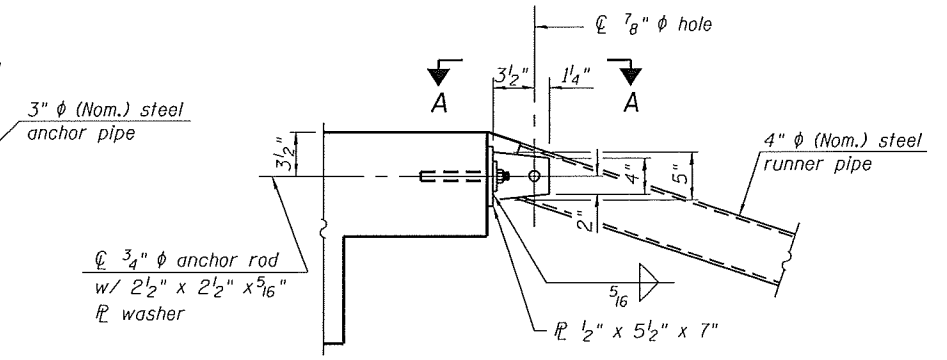
SECTION A-A



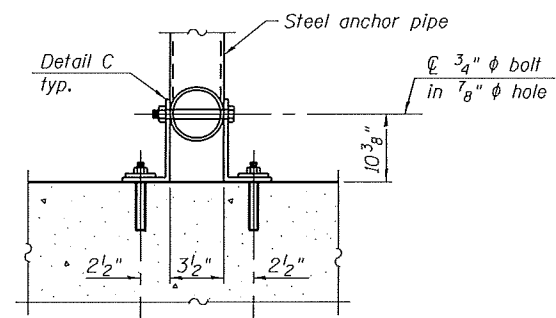
SECTION B-B



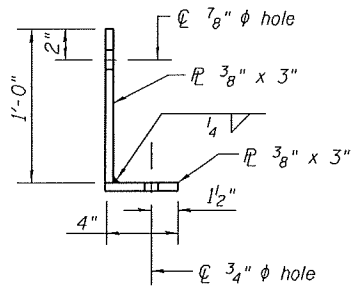
DETAIL A



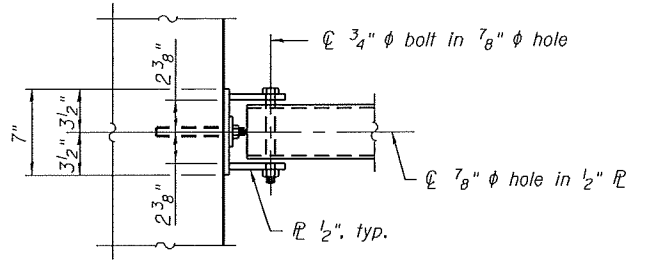
DETAIL B



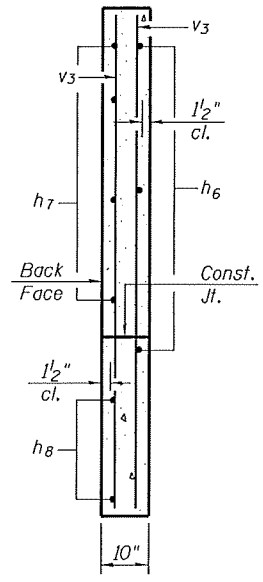
SECTION F-F



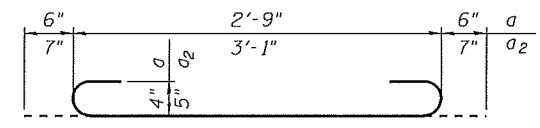
DETAIL C



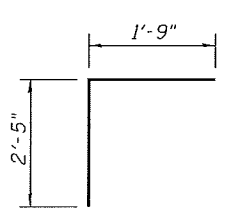
VIEW A-A



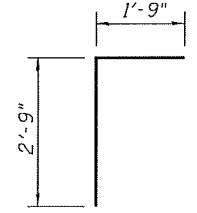
SECTION E-E



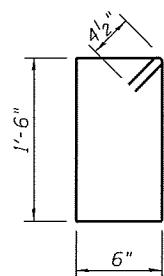
BAR a & a2



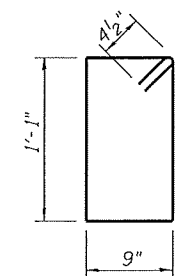
BAR d



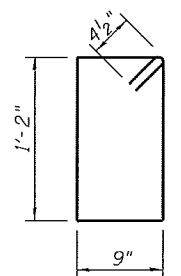
BAR d1



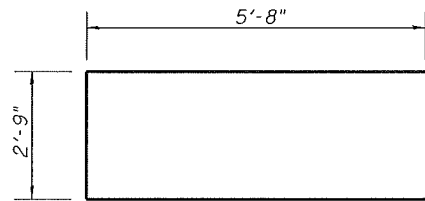
BAR s



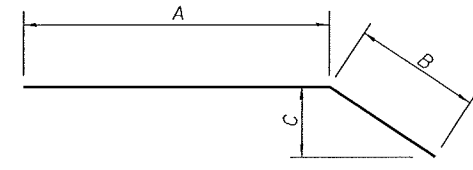
BAR s1



BAR s2

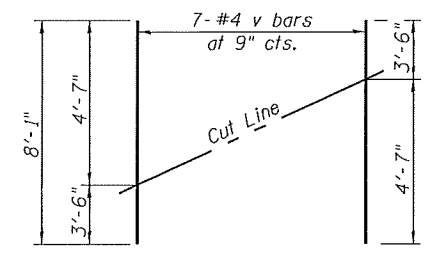


BARS u



BARS

Bar	A	B	C
h2	5'-0"	1'-7"	0'-4 5/8"
h6	6'-2"	3'-0"	2'-1 1/2"
h7	4'-7"	3'-0"	2'-1 1/2"
h8	4'-1"	2'-10"	2'-0"



FIELD CUTTING DIAGRAM

Order v bars full length. Cut as shown and use remainder of bars in opposite wall.

TOTAL BILL OF MATERIAL

Bar	No.	Size	Length	Shape
a	13	#4	3'-9"	U
a1	5	#4	2'-9"	U
a2	14	#5	4'-3"	U
a3	4	#4	3'-1"	U
a4	1	#4	2'-10"	U
d	3	#4	4'-2"	L
d1	3	#4	4'-6"	L
h	38	#4	5'-9"	U
h1	6	#6	2'-9"	U
h2	2	#4	6'-7"	U
h3	2	#4	3'-10"	U
h4	2	#6	2'-3"	U
h5	12	#6	3'-1"	U
h6	6	#4	9'-2"	U
h7	6	#4	7'-7"	U
h8	6	#4	6'-11"	U
s	3	#4	4'-9"	U
s1	8	#4	4'-5"	U
s2	4	#4	4'-7"	U
u	2	#4	14'-1"	U
v	7	#4	8'-1"	U
v1	4	#4	4'-8"	U
v2	20	#4	2'-5"	U
v3	10	#4	5'-6"	U
Concrete Removal			Cu. Yd.	0.2
Reinforcement Bars			Pound	660
Expansion Bolts 3/4 Inch			Each	8
Concrete Box Culverts			Cu. Yd.	4.7
Traversable Pipe Grate			Foot	5

FILE NAME = 397-30.51-76789-003.dgn



USER NAME = jdkinkelmenn
 Illinois Design Firm Number 184.001670
 PLOT SCALE =
 PLOT DATE = 8/8/2014

DESIGNED - JD
 CHECKED - BB
 DRAWN - WS
 CHECKED - CJF

REVISED -
 REVISED -
 REVISED -
 REVISED -

STATE OF ILLINOIS
 DEPARTMENT OF TRANSPORTATION

BOX CULVERT EXTENSION DETAILS
 STATION 397+30.51

SHEET NO. 3 OF 3 SHEETS

F.A.S. RTE.	SECTION	COUNTY	TOTAL SHEETS	SHEET NO.
752	101-2RS-1	JERSEY	438	268
CONTRACT NO. 76789				

ILLINOIS FED. AID PROJECT