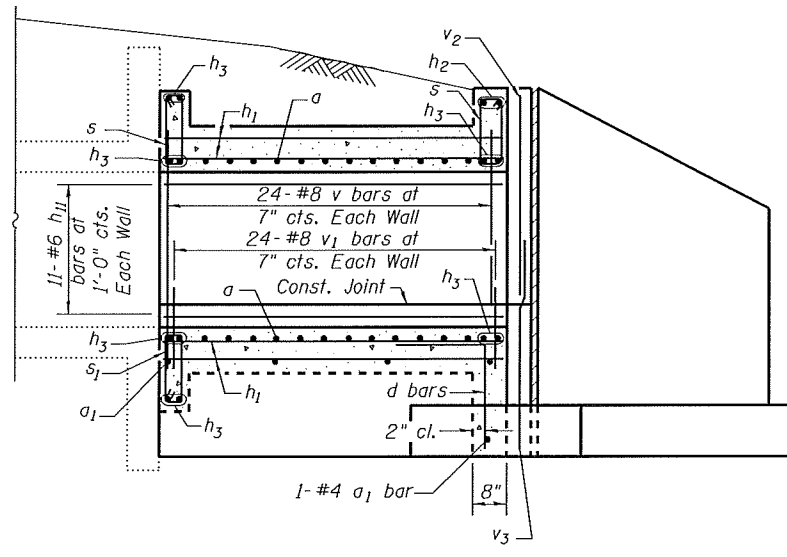


LEFT EXTENSION

(See View E-E & F-F on sheet 4 of 5 for Wingwall Reinforcement Layout)

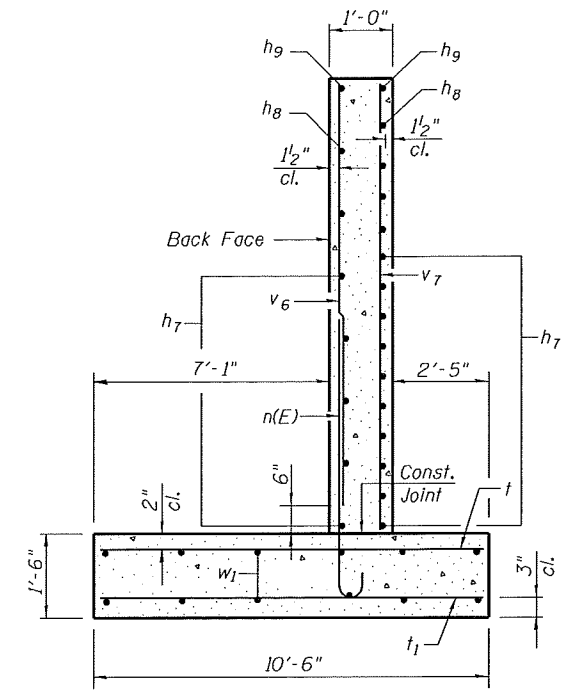


RIGHT EXTENSION

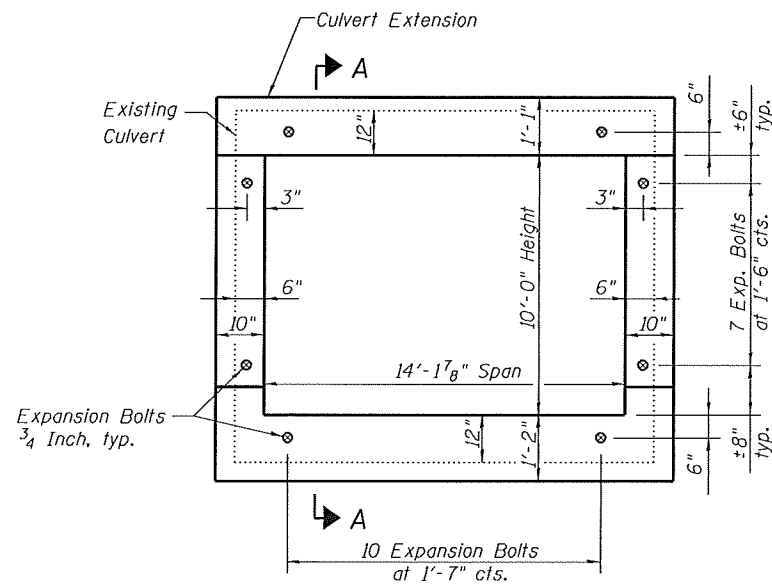
(See View E-E & F-F on sheet 4 of 5 for Wingwall Reinforcement Layout)

ELEVATION

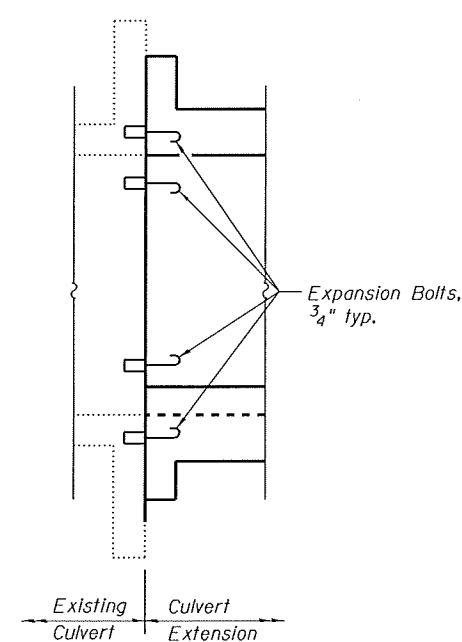
Min. Bar Lap
#8 bar = 3'-8"



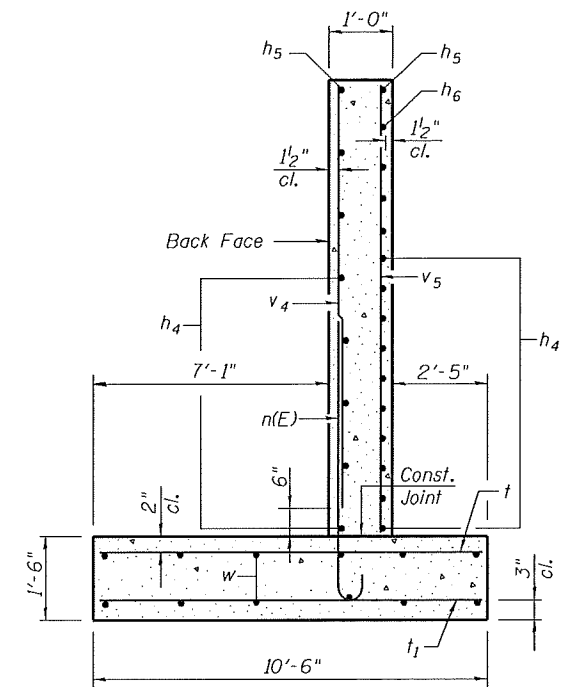
SECTION C-C



EXPANSION BOLT LAYOUT



SECTION A-A



SECTION D-D

Note:
Expansion Bolts shall be 3/4" hooked bolts. Hooked bolts shall extend a minimum of 9" into the new concrete.

FILE NAME = 405-67.37-76789-003.dgn



USER NAME = jdkelmenn
Illinois Design Firm Number 184.001670
PLOT SCALE =
PLOT DATE = 8/8/2014

DESIGNED - JD
CHECKED - BB
DRAWN - WS
CHECKED - CJF

REVISED -
REVISED -
REVISED -
REVISED -

STATE OF ILLINOIS
DEPARTMENT OF TRANSPORTATION

BOX CULVERT EXTENSION DETAILS
STRUCTURE NUMBER 042-2475

SHEET NO. 3 OF 5 SHEETS

F.A.S. RTE.	SECTION	COUNTY	TOTAL SHEETS	SHEET NO.
752	101-2RS-1	JERSEY	438	271
CONTRACT NO. 76789				
ILLINOIS FED. AID PROJECT				