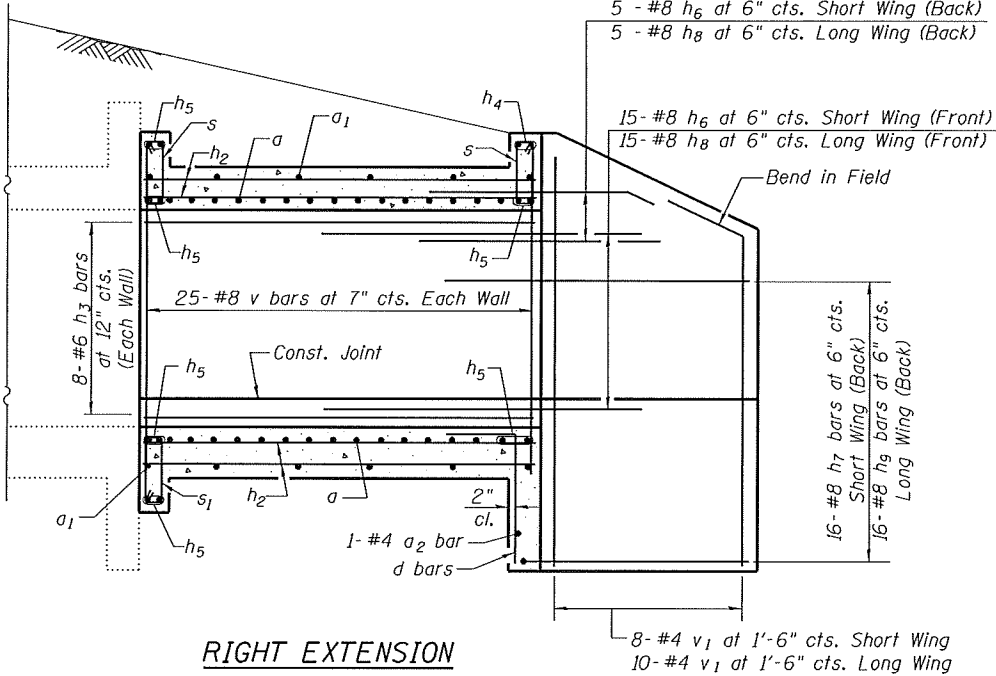
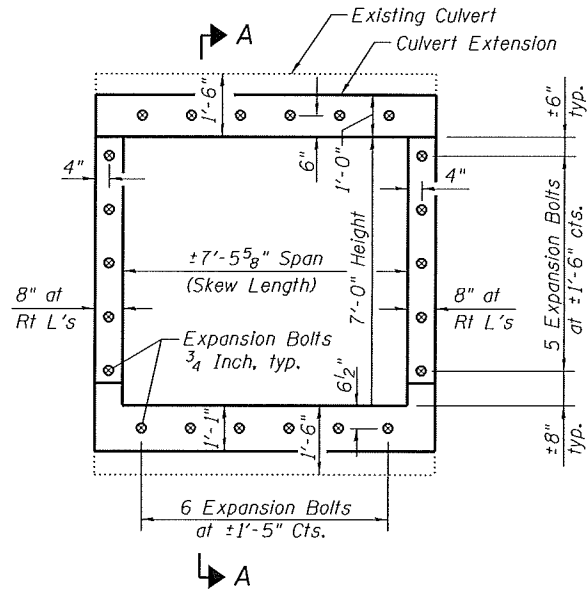


LEFT EXTENSION



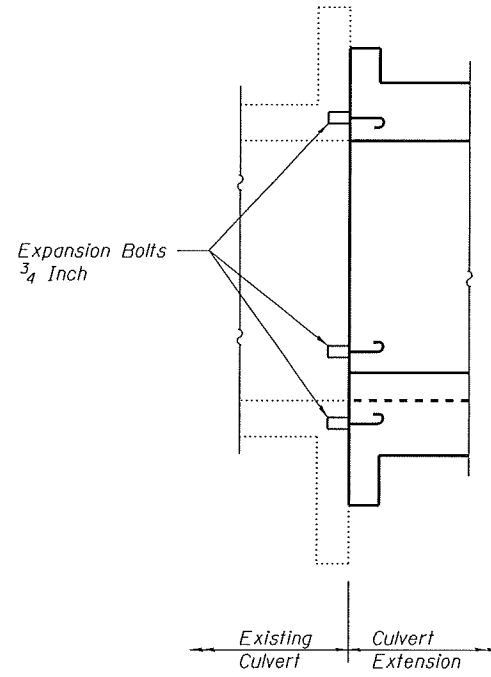
RIGHT EXTENSION

ELEVATION

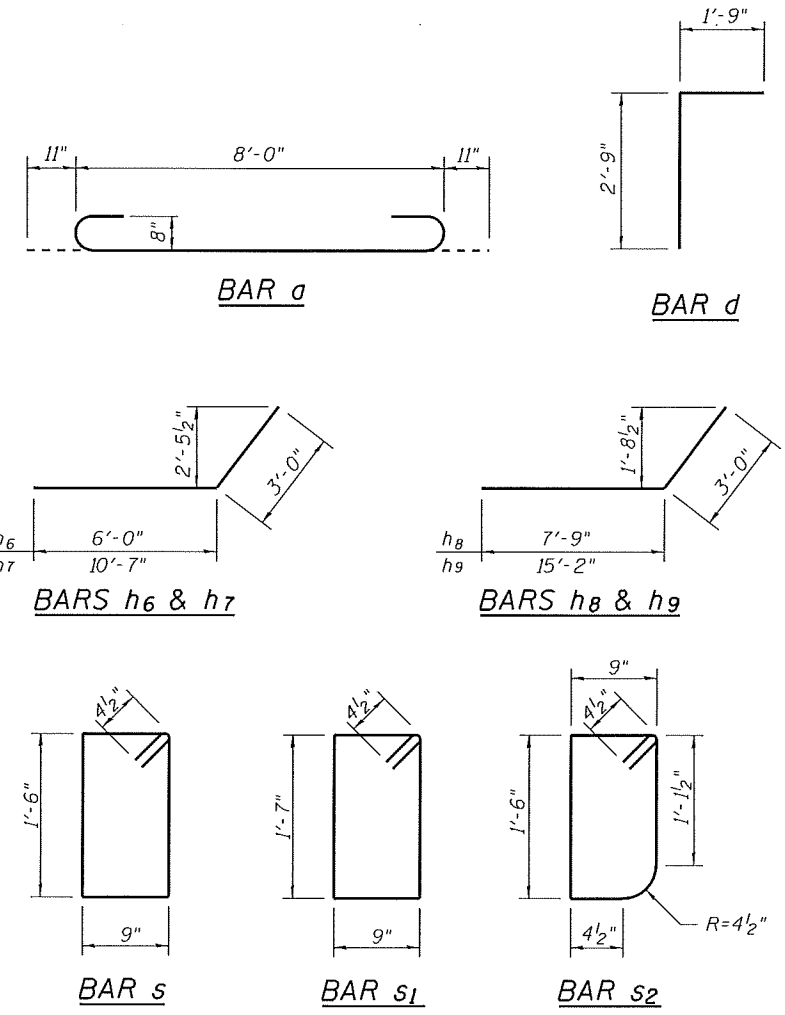


EXPANSION BOLT LAYOUT

Note:
Expansion Bolts shall be 3/4" hooked bolts. Hooked bolts shall extend a minimum of 9" into the new concrete.



SECTION A-A



TOTAL BILL OF MATERIAL

Bar	No.	Size	Length	Shape
a	50	#8	9'-10"	
a1	26	#4	8'-0"	
a2	2	#4	9'-2"	
d	16	#4	4'-6"	
h	68	#4	10'-8"	
h1	16	#6	10'-9"	
h2	68	#4	13'-8"	
h3	16	#6	13'-9"	
h4	4	#8	8'-5"	
h5	24	#8	8'-6"	
h6	40	#8	9'-0"	
h7	32	#8	13'-7"	
h8	40	#8	10'-9"	
h9	32	#8	18'-2"	
s	27	#4	5'-3"	
s1	18	#4	5'-5"	
s2	9	#4	5'-1"	
v	94	#8	8'-9"	
v1	40	#4	11'-5"	
Concrete Box Culverts			Cu. Yd.	47.1
Reinforcement Bars			Pound	11,360
Expansion Bolts 3/4 Inch			Each	44

FILE NAME = 411-4366-76789-003.dgn



USER NAME = jdrinkelmann
Illinois Design Firm Number 184.001670
PLOT SCALE =
PLOT DATE = 8/8/2014

DESIGNED - JD
CHECKED - BB
DRAWN - WS
CHECKED - CJF

REVISED -
REVISED -
REVISED -
REVISED -

STATE OF ILLINOIS
DEPARTMENT OF TRANSPORTATION

BOX CULVERT EXTENSION DETAILS
STRUCTURE NUMBER 042-2476

SHEET NO. 3 OF 3 SHEETS

F.A.S. RTE.	SECTION	COUNTY	TOTAL SHEETS	SHEET NO.
752	101-2RS-1	JERSEY	438	276
CONTRACT NO. 76789				

ILLINOIS FED. AID PROJECT