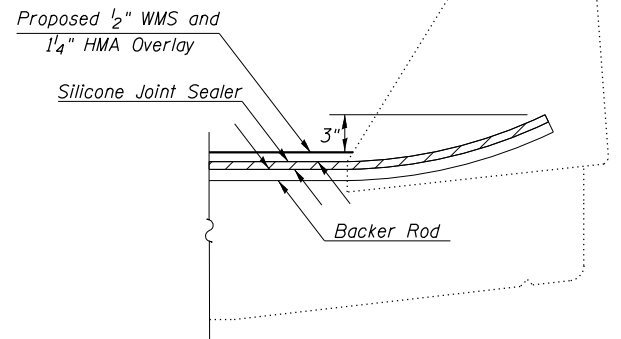
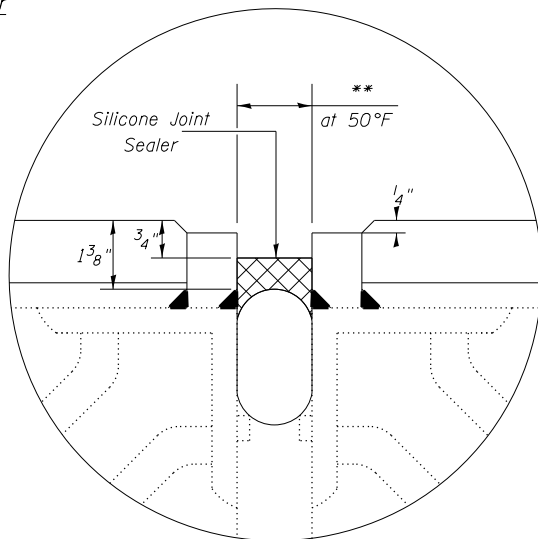


EAST ABUTMENT

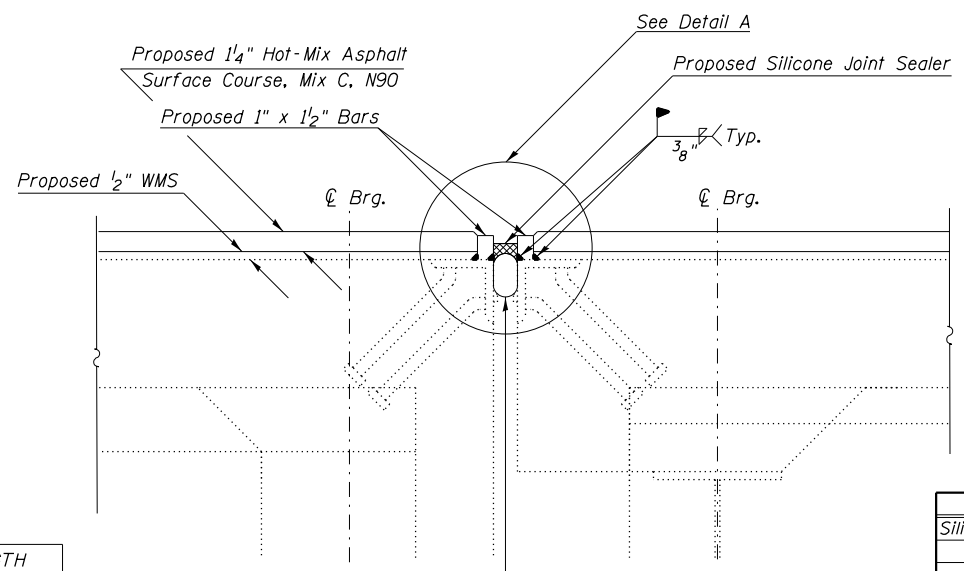
WEST ABUTMENT



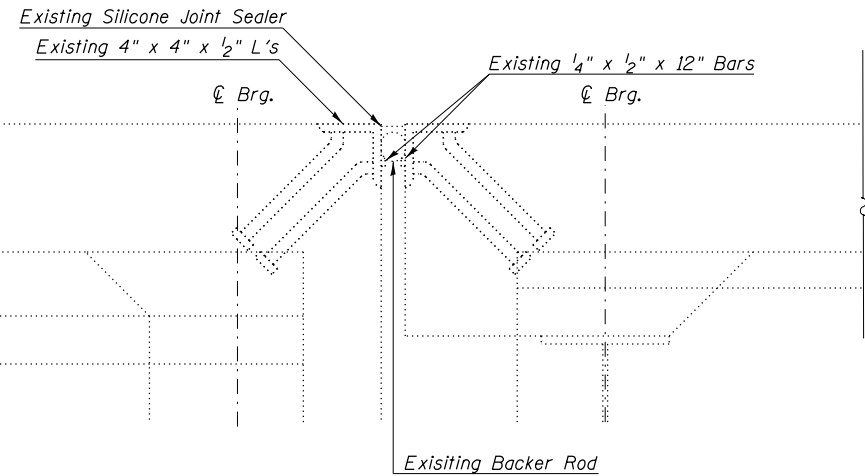
TYPICAL END OF SEAL TREATMENT AT EXPANSION JOINT



DETAIL A



PROPOSED JOINT REPAIR DETAIL



EXISTING JOINT DETAIL

Notes:
The removal of the existing joint and Furnishing and Erecting of the proposed 1" x 1/2" bars to be included in the cost of Silicone Joint Sealer, 1.5".

BILL OF MATERIAL

Item	Unit	Total
Silicone Joint Sealer, 1.5"	Foot	58

EXISTING OPENING **	LENGTH
	FOOT
WEST	1-1/2" 28.5
EAST	1-1/2" 28.6

**EXPANSION JOINT REPAIRS
STRUCTURE NO. 100-0059**