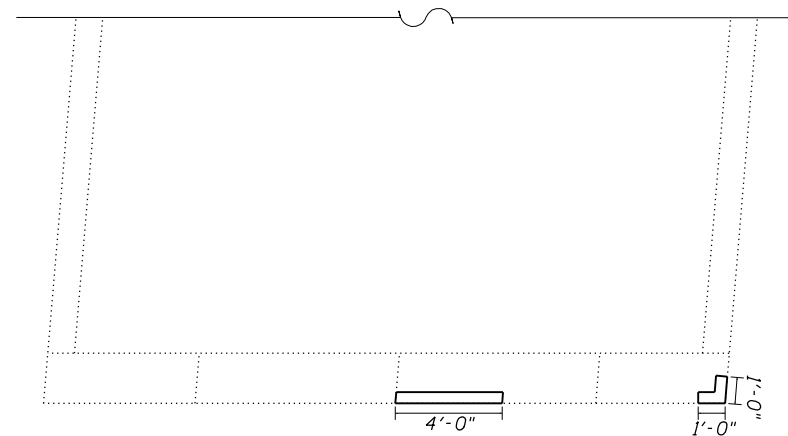
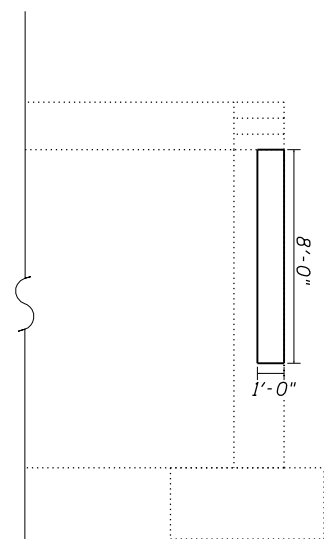


PLAN VIEW



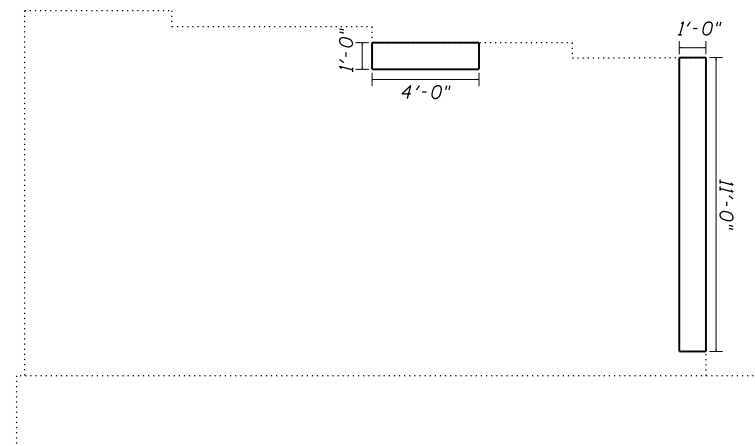
PLAN VIEW



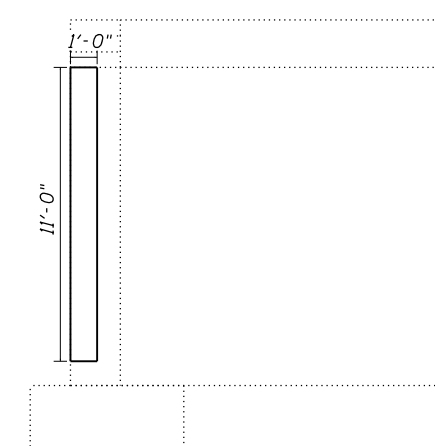
LOOKING NORTH  
AT ABUTMENT



LOOKING FROM  $\phi$  AT ABUTMENT



LOOKING FROM  $\phi$  AT ABUTMENT



LOOKING NORTH  
AT ABUTMENT

ELEVATION VIEW  
STRUCTURAL REPAIR OF CONCRETE  
(DEPTH  $\leq$  5 INCHES)  
WEST VAULT

ELEVATION VIEW  
STRUCTURAL REPAIR OF CONCRETE  
(DEPTH  $\leq$  5 INCHES)  
EAST VAULT

BILL OF MATERIAL

Item	Unit	Total
Structural Repair of Concrete $\leq$ 5 in	Sq Ft	42

STRUCTURAL REPAIR OF CONCRETE  
STRUCTURE NO. 100-0059

FILE NAME =	USER NAME = Dahmer.ja	DESIGNED -	REVISED -
		DRAWN -	REVISED -
		CHECKED -	REVISED -
		DATE -	REVISED -

**STATE OF ILLINOIS**  
**DEPARTMENT OF TRANSPORTATION**

**STRUCTURAL REPAIR OF CONCRETE DETAILS**

SCALE: SHEET 8 OF 8 SHEETS STA. TO STA.

F.A.I. RTE.	SECTION	COUNTY	TOTAL SHEETS	SHEET NO.
24	D9 CM BRIDGE REP. 2015-1	WILLIAMSON	19	16
CONTRACT NO. 78424			ILLINOIS FED. AID PROJECT	