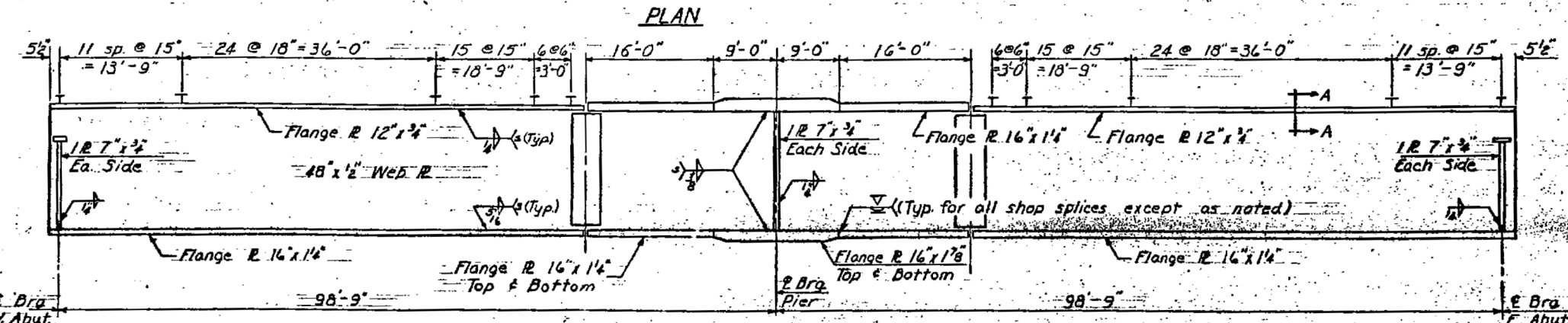
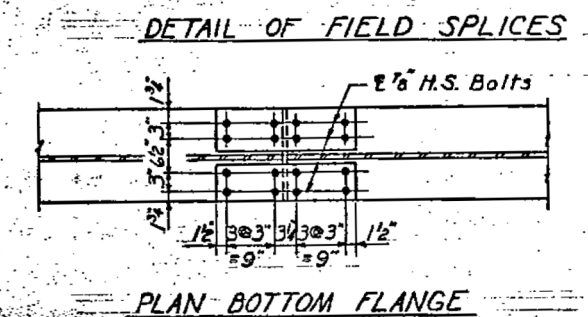
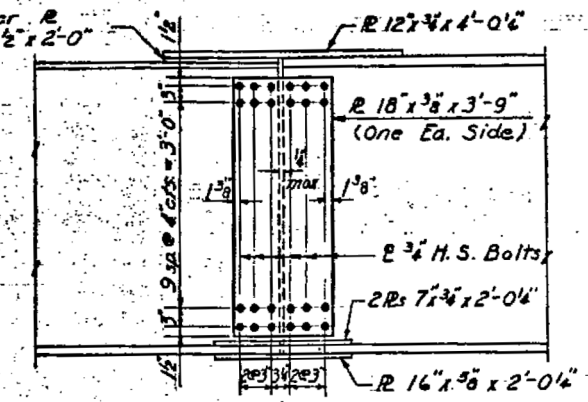
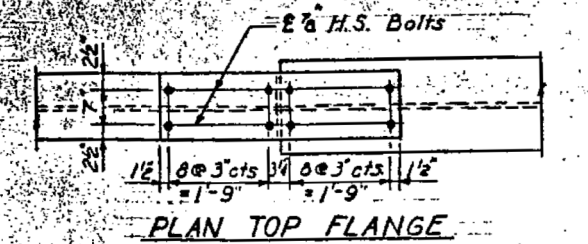
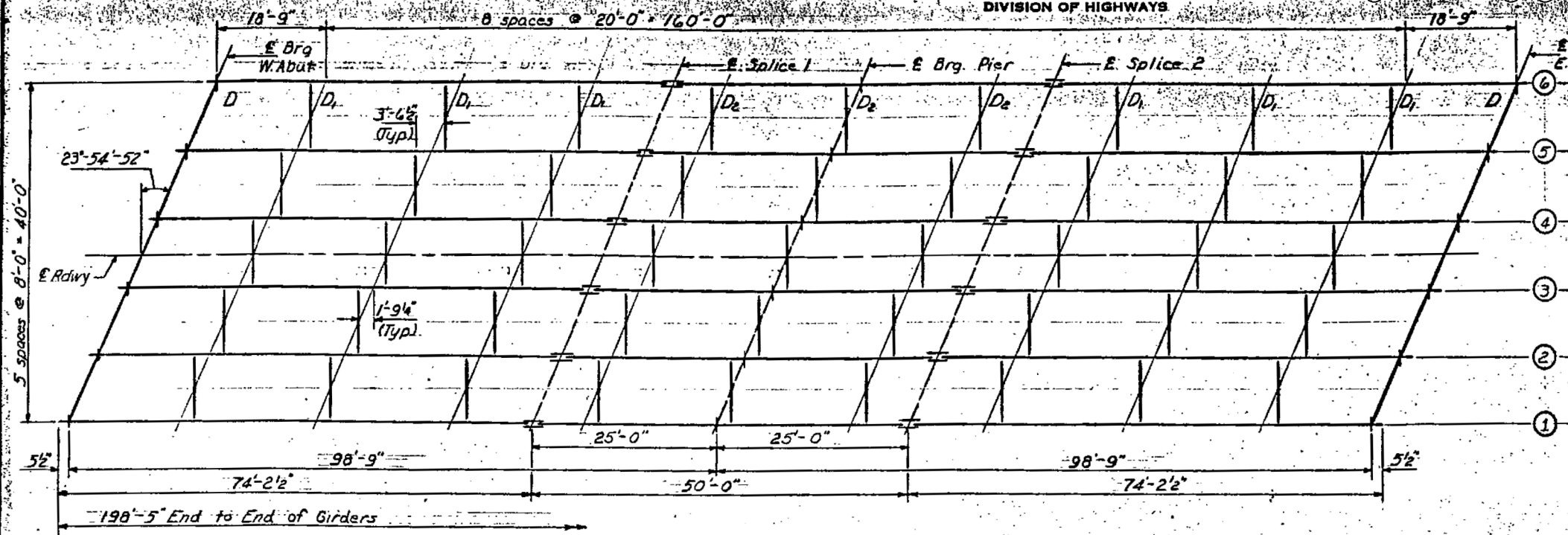


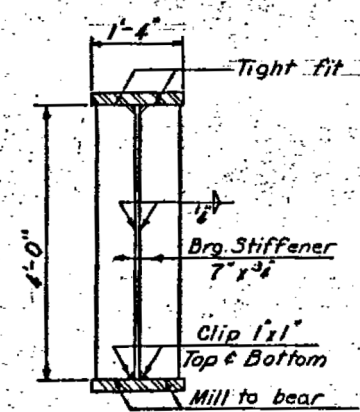
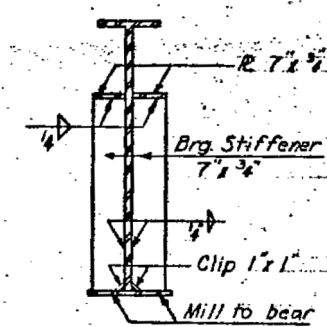
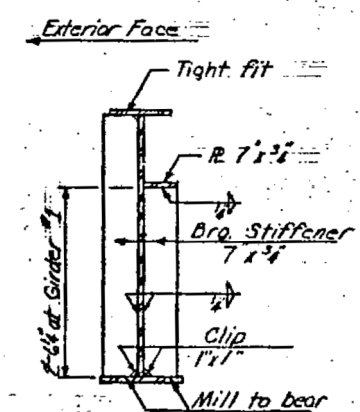
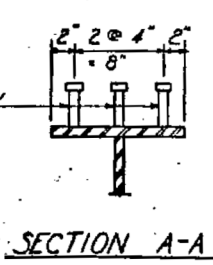
041-0062

DATE	NO.	BY	TOTAL SHEETS	SHEET NO.
11-21-11	11-21-11	JEFFERSON	82	32
SHEET NO. 14 SHEETS				



ELEVATION

3/4" x 4" Granular or solid flux filled headed studs automatically end welded to flange
No. Required: 2052



DESIGNED	Emile A. Samara
CHECKED	Harold Smith
DRAWN	C.E. Wilkins
CHECKED	H.S.

APRIL 28 1962
EXAMINED
PASSED
APPROVED
Richard H. Holterman

SECTION AT EXTERIOR GIRDER SECTION AT INTERIOR GIRDER SECTION AT PIER

STRUCTURAL STEEL AND DETAILS
F.A.I. RT. 64 SEC. 41-8HB-3
JEFFERSON COUNTY
STA 2857 + 33.25

FOR INFORMATION ONLY

FILE NAME	USER NAME = Dahmer,ja	DESIGNED -	REVISED -	STATE OF ILLINOIS	SN 041-0062	F.A. RTE.	SECTION	COUNTY	TOTAL SHEETS	SHEET NO.			
Default	es:\pw\work\p\dahmer\ja\0392003\78428-sh1-plan.dgn	DRAWN -	REVISED -	DEPARTMENT OF TRANSPORTATION		VAR.	D9 BRIDGE PAINT 2015-1	VARIOUS	23	11			
	PLOT SCALE = 100.0000' / in.	CHECKED -	REVISED -										
	PLOT DATE = 8/15/2014	DATE -	REVISED -			SCALE:	SHEET	OF	SHEETS	STA.	TO	STA.	CONTRACT NO. 78428
													ILLINOIS FED. AID PROJECT