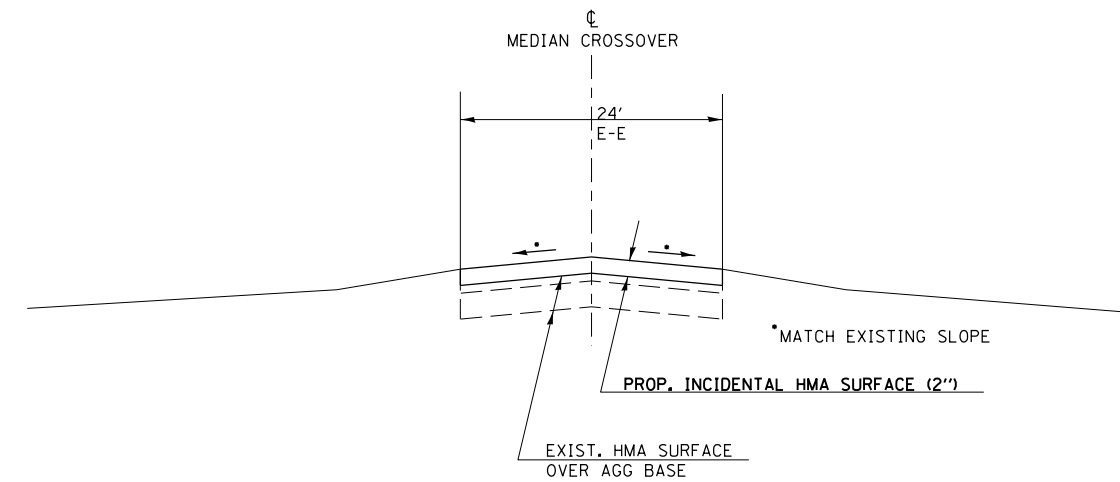
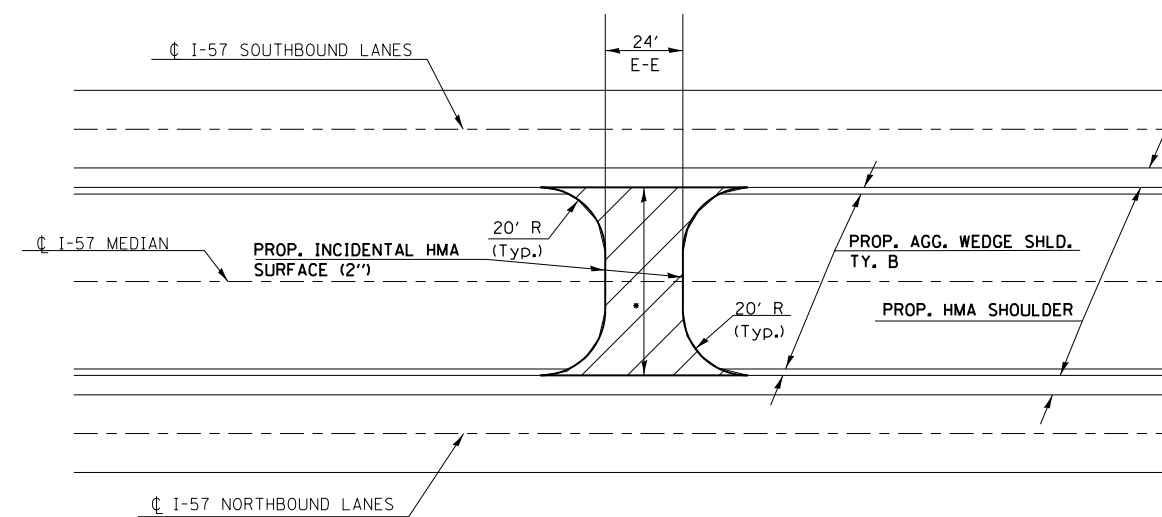


DETAILS FOR
MEDIAN CROSSOVERS

CROSSECTION
AT MEDIANS



PLAN VIEW
AT MEDIANS



TO BE USED:
STA 1112+95 (•54')
STA 1197+25 (•54')
STA 1356+10 (•62')

FILE NAME =	USER NAME = \$USER\$	DESIGNED -	REVISED -
et:\pw\work\p1dot\rollavr\0401961\78437	shite-cvr-soq.index.dgn	DRAWN -	REVISED -
\$MODELNAME\$	PLOT SCALE = 200.0000' / in.	CHECKED -	REVISED -
	PLOT DATE = 8/22/2014	DATE -	REVISED -

STATE OF ILLINOIS
DEPARTMENT OF TRANSPORTATION

MEDIAN CROSSOVER &
BUTT JOINT DETAILS

SCALE: SHEET OF SHEETS STA. TO STA.

F.A.I. RTE.	SECTION	COUNTY	TOTAL SHEETS	SHEET NO.
I-57	(41-4,41-4-1)RS-2	JEFFERSON	26	23
CONTRACT NO. 78437			ILLINOIS FED. AID PROJECT	